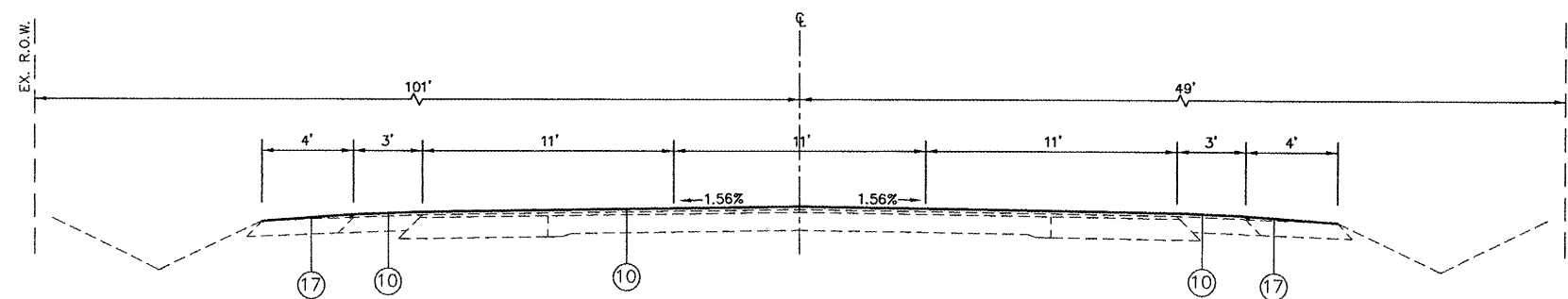


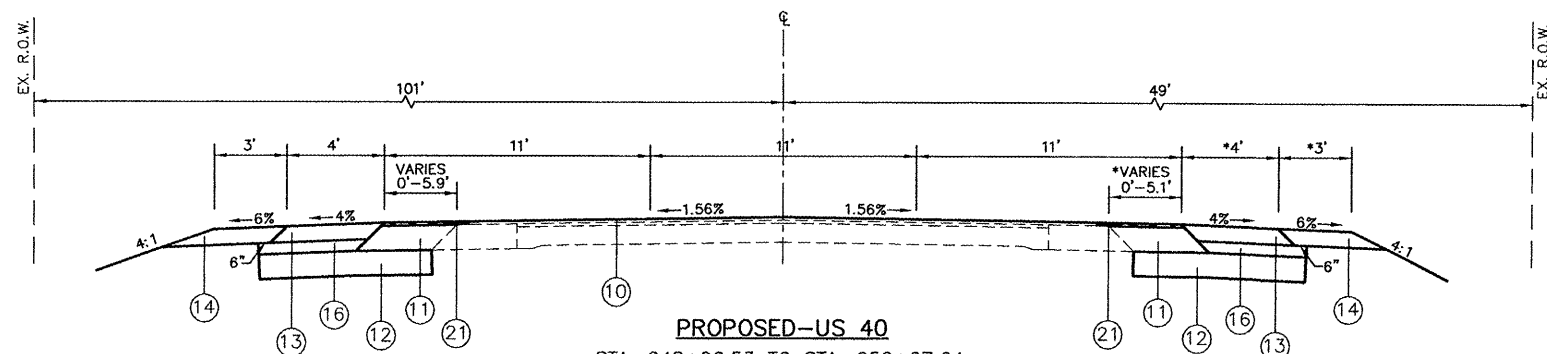
F&P ROUTE	SECTION	COUNTY	TOTAL SHEETS	SHEET NO
7932 9392	05-00025-00-11 07-00025-01-11E	MADISON	127	15
PROPOSED US 40				

CONTRACT NO. 97352

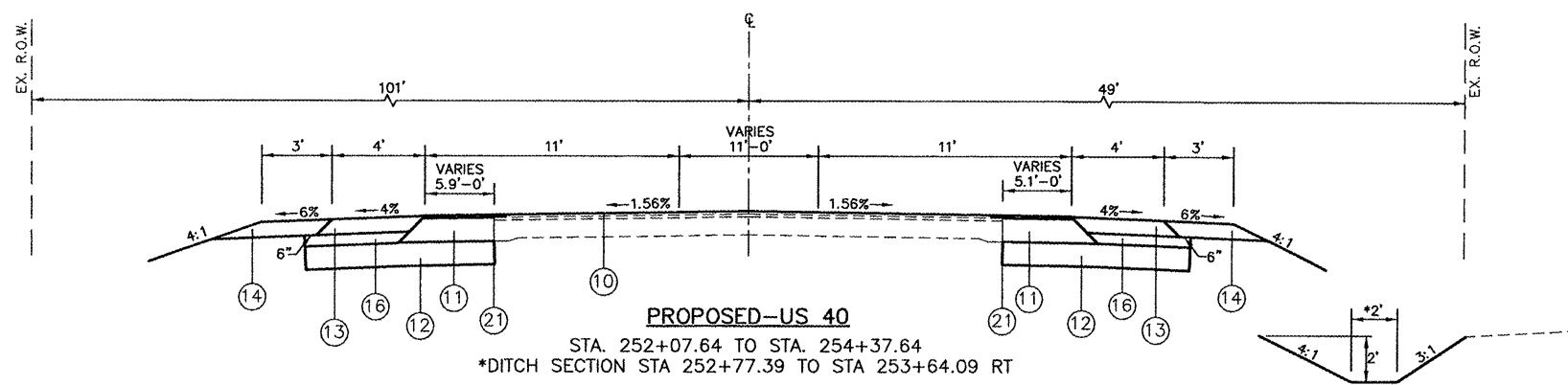


PROPOSED-US 40
STA. 246+80.15 TO STA. 248+96.53

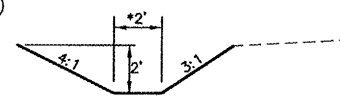
LEGEND	
(10)	PROPOSED HOT-MIX ASPHALT SURFACE COURSE, MIX "D", N70, 1.5"
(11)	PROPOSED HOT-MIX ASPHALT BINDER COURSE, IL-19.0, N70, 12.5"
(12)	PROPOSED PROCESSING MODIFIED SOIL, 12"
(13)	PROPOSED HOT-MIX ASPHALT SHOULDER, 8"
(14)	PROPOSED AGGREGATE SHOULDER, TYPE A, 6"
(15)	PROPOSED SUB-BASE GRANULAR MATERIAL, TYPE C 5"
(16)	PROPOSED SUB-BASE GRANULAR MATERIAL, TYPE C 6"
(17)	PROPOSED AGGREGATE WEDGE SHOULDER, TYPE B
(18)	PROPOSED TYPE B-6.24 C&G
(19)	PROPOSED TYPE A GUTTER
(20)	PROPOSED TYPE B GUTTER
(21)	PROPOSED STRIP REFLECTIVE CRACK CONTROL TREATMENT
(22)	PROPOSED CONCRETE BARRIER WALL (SPECIAL)



PROPOSED-US 40
STA. 248+96.53 TO STA. 252+07.64
*BEGIN WIDENING RT AT STA 249+09.03



PROPOSED-US 40
STA. 252+07.64 TO STA. 254+37.64
*DITCH SECTION STA 252+77.39 TO STA 253+64.09 RT



REVISIONS	
NAME	DATE

PROPOSED CONDITIONS
TYPICAL SECTIONS

US 40 AND
TROY-O'FALLON ROAD IMPROVEMENTS
CITY OF TROY
MADISON COUNTY, ILLINOIS

050102TYP501.dwg 6/16/2008 1:39pm