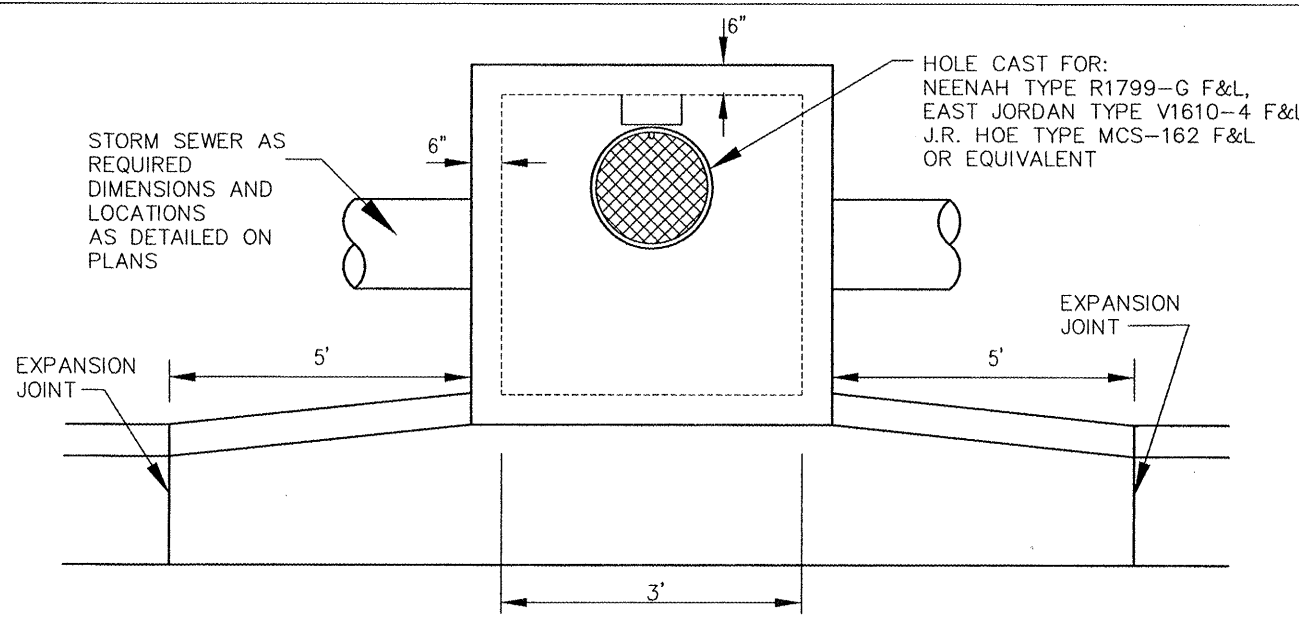
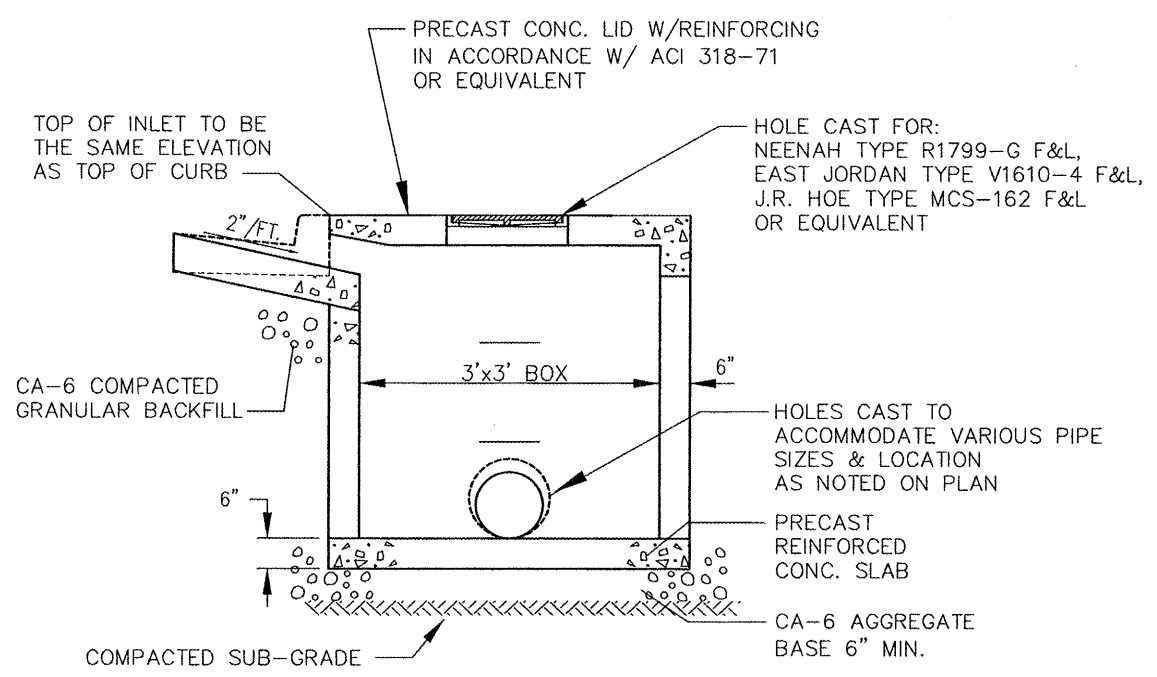


| P&P NO.     | SECTION                          | COUNTY  | TOTAL SHEETS | SHEET NO. |
|-------------|----------------------------------|---------|--------------|-----------|
| 793<br>9392 | 05-00025-00-TL<br>07-00025-01-WR | MADISON | 127          | 78        |
| STA.        |                                  | TO STA. |              |           |

CONTRACT NO. 97352



PLAN

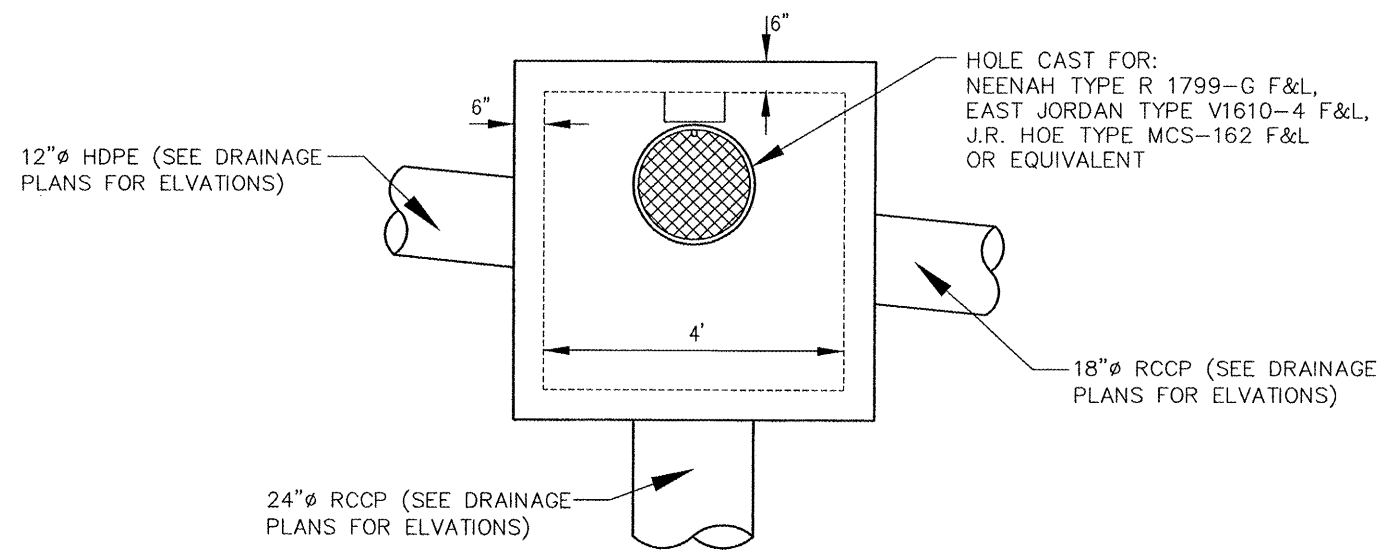
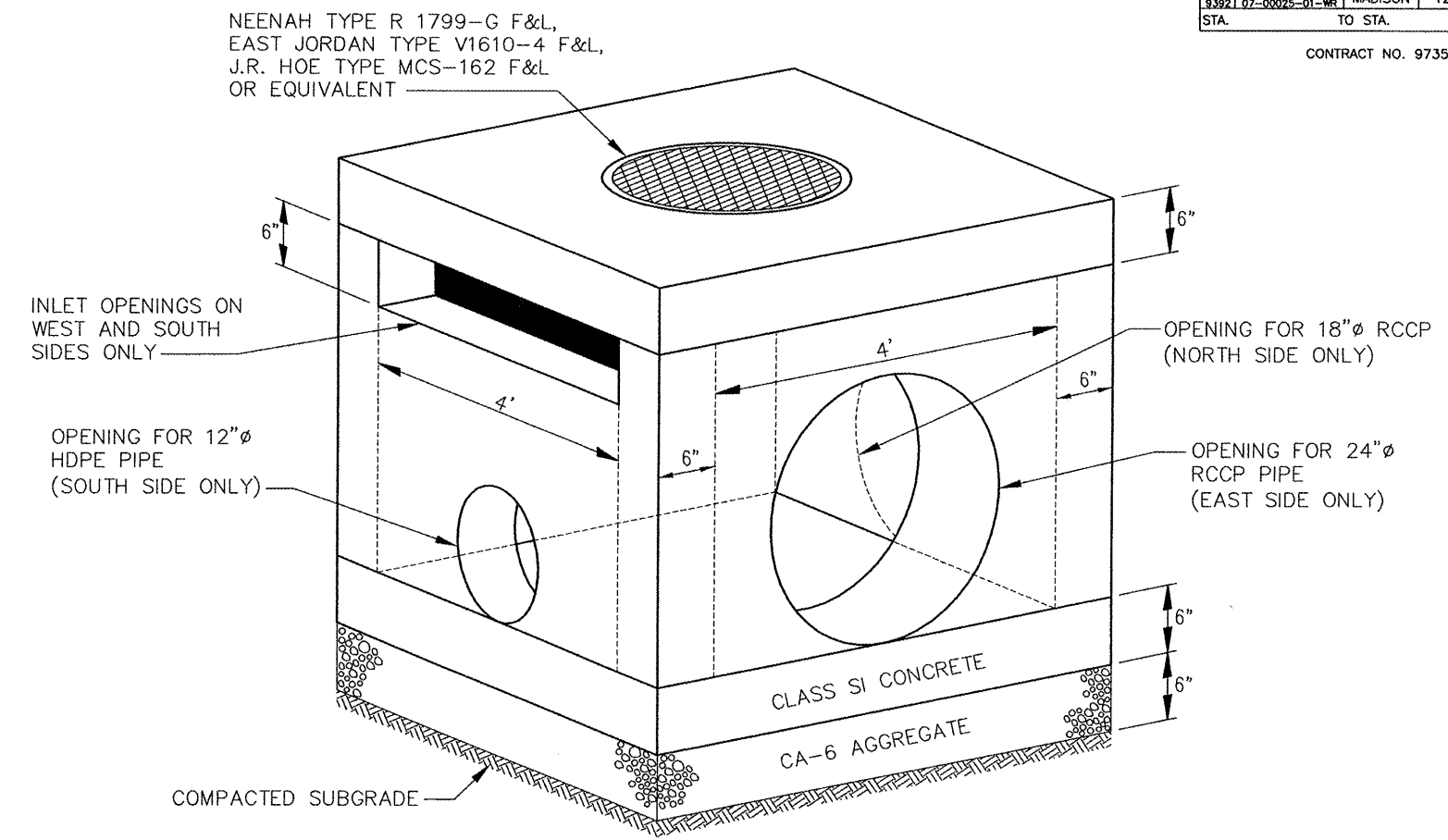


ELEVATION

**SPECIFICATIONS:**  
PRE-CAST INLET SHALL CONFORM TO ASTM C-478

**EXECUTION:**  
ALL WORK SHALL CONFORM TO ILLINOIS STANDARD SPECIFICATIONS FOR ROAD AND BRIDGE CONSTRUCTION.

**TYPICAL OPEN THROAT INLET**  
**INLET, SPECIAL #1**  
VARIOUS LOCATIONS



**INLET, SPECIAL #2**

STA 108+84.68 RT  
TROY-O'FALLON ROAD

**SPECIFICATIONS:**  
PRE-CAST INLET SHALL CONFORM TO ASTM C-478

**EXECUTION:**  
ALL WORK SHALL CONFORM TO ILLINOIS STANDARD SPECIFICATIONS FOR ROAD AND BRIDGE CONSTRUCTION.

| REVISIONS |      |
|-----------|------|
| NAME      | DATE |
|           |      |
|           |      |
|           |      |
|           |      |
|           |      |
|           |      |
|           |      |
|           |      |
|           |      |

MISCELLANEOUS  
DETAILS

US 40 AND  
TROY-O'FALLON ROAD IMPROVEMENTS  
CITY OF TROY  
MADISON COUNTY, ILLINOIS

P:\050162D\dwg\050162DET1.01.dwg 4/16/2008 9:02:13 AM CDT