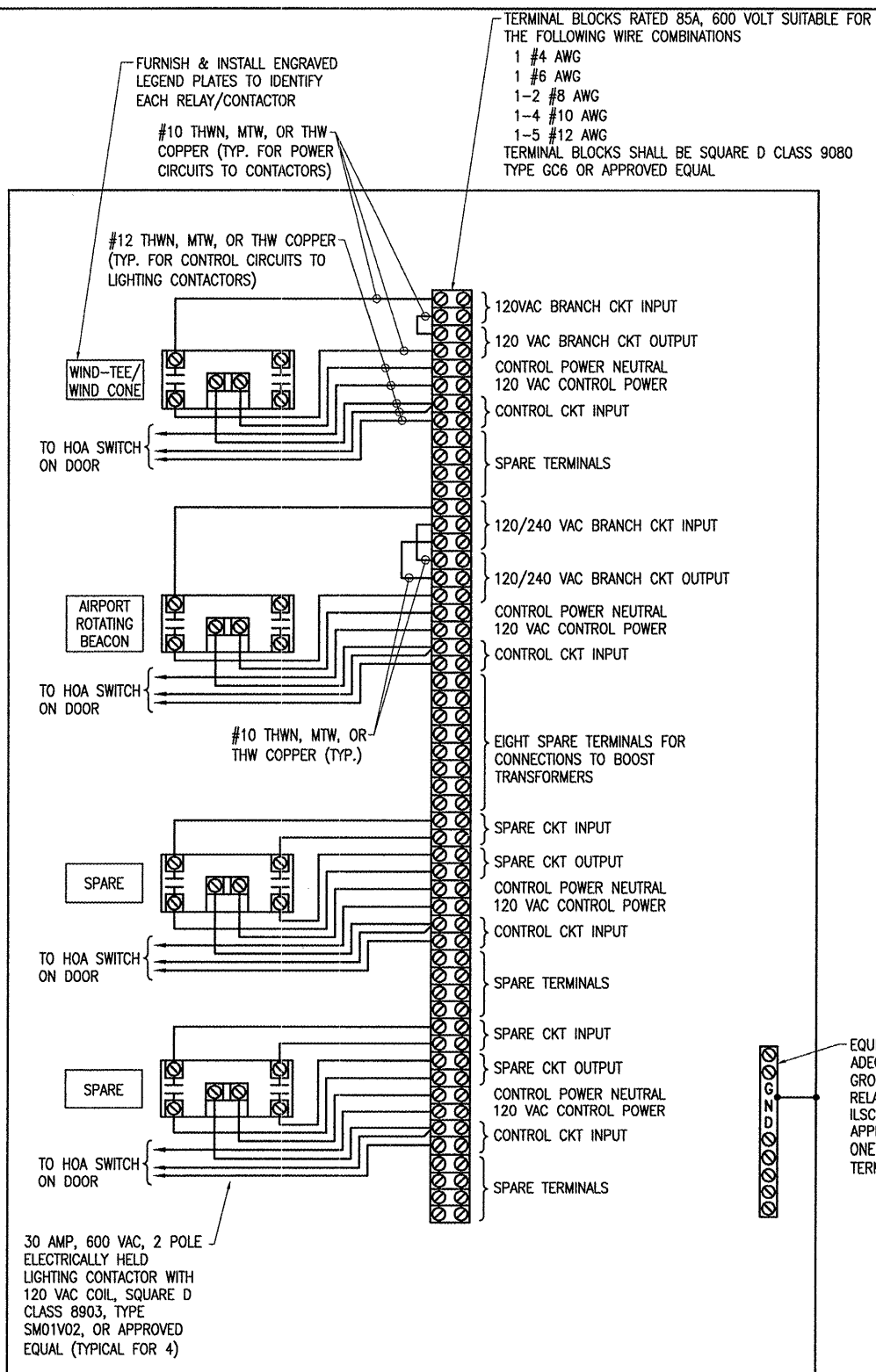


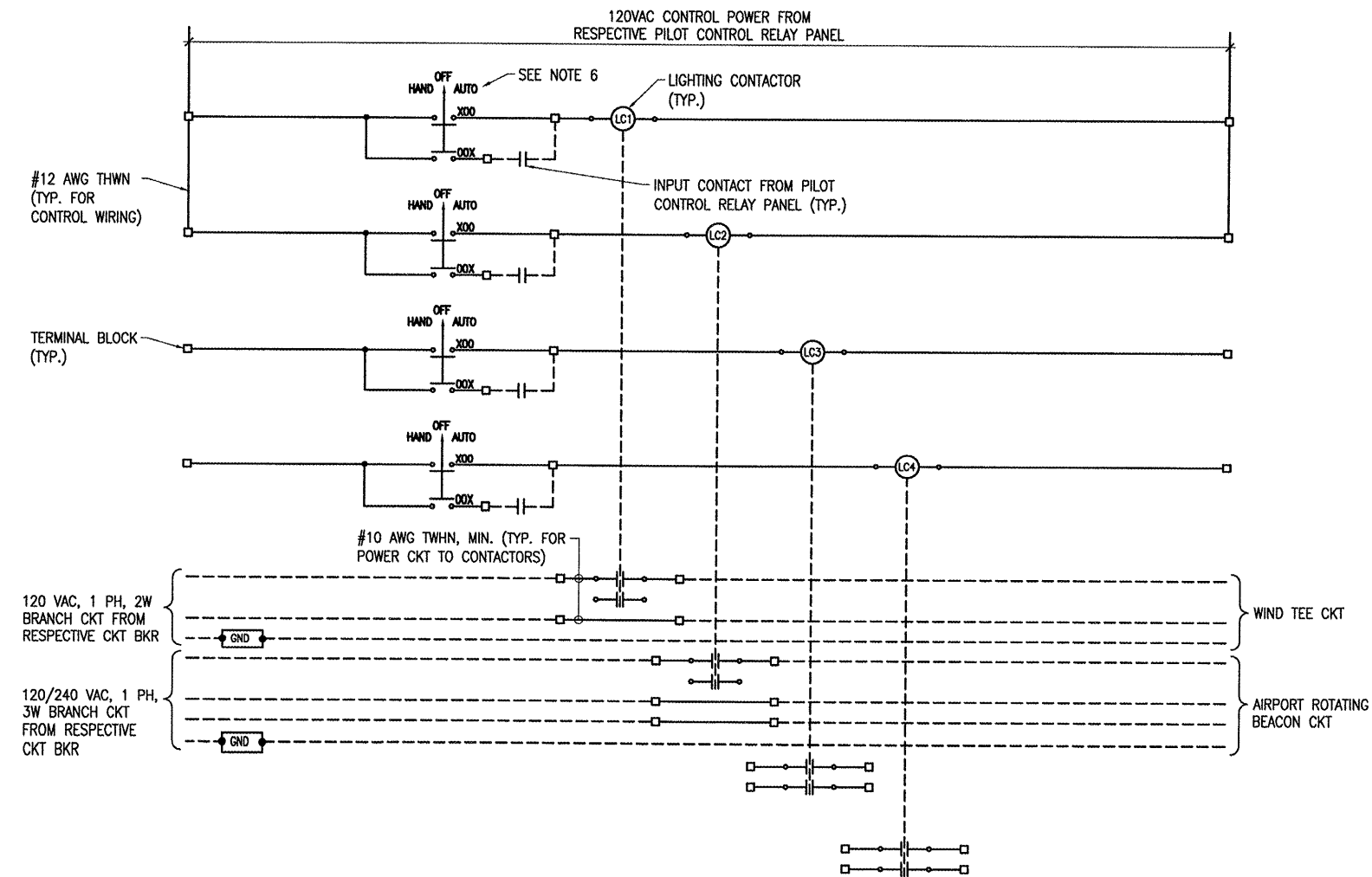
JUL 25, 2008 9:39 AM V00RH00805 I:\AIRPORTS\ST. LOUIS DOWNTOWN\B450TELEC\AIRPORT SHEETS\E-602.DWG - Layout1



CONTROL PANEL FOR BEACON & WIND TEE

NOTES

- 15 AMP & 20 AMP INPUT POWER/BRANCH CIRCUITS SHALL BE #10 AWG COPPER THWN FROM THE RESPECTIVE POWER SOURCE TO THE LIGHTING CONTACTOR/RELAY PANEL. 30 AMP INPUT POWER/BRANCH CIRCUITS SHALL BE #8 AWG COPPER THWN (MIN.) FROM THE RESPECTIVE POWER SOURCE TO THE LIGHTING CONTACTOR/RELAY PANEL.
- INPUT CONTROL CIRCUITS SHALL BE #12 AWG COPPER THWN.
- FOR 120 VAC BRANCH CIRCUITS THE NEUTRAL CONDUCTOR SHALL NOT BE SWITCHED THROUGH THE RELAY CONTACTS. USE TERMINAL BLOCKS TO TRANSITION FROM VAULT BRANCH CIRCUIT WIRING TO FIELD WIRING.
- THE AIRPORT ROTATING BEACON CIRCUIT SHALL HAVE PHASE "A" SWITCHED THROUGH THE LIGHTING CONTACTOR. PHASE "B" SHALL BE UNSWITCHED FROM THE POWER SOURCE TO THE LOAD CENTER AT THE AIRPORT ROTATING BEACON.
- PROVIDE #10 AWG COPPER BONDING JUMPER FROM PANEL ENCLOSURE FRAME TO ENCLOSURE DOOR.
- PROVIDE 3-POSITION MAINTAINED CONTACT "HAND-OFF-AUTO" SELECTOR SWITCH FOR EACH LIGHTING CONTACTOR & MOUNT ON LIGHTING CONTACTOR PANEL ENCLOSURE DOOR. SELECTOR SWITCH SHALL BE SQUARE D CLASS 9001, TYPE KS43FBH13, OR APPROVED EQUAL. INCLUDE LEGEND PLATE TO IDENTIFY THE DEVICE CONTROLLED (EX: "WIND TEE" OR "AIRPORT ROTATING BEACON").



SCHEMATIC

DATE	REVISION	BY

SAINT LOUIS DOWNTOWN AIRPORT
A Division of Bi-State Development Agency

IL PROJ.: OPS-3708

Hanson Project No.	B450TELECD_0900
Filename	E-602.DWG
Scale	NONE
Date	07/16/07
LAYOUT	KNL 05/18/07
DRAWN	MV 05/22/07
REVIEWED	CAH 07/13/07

HANSON

Hanson Professional Services, Inc.
4227 Earth City Expressway, Suite 130
St. Louis, MO 63045-1308
Offices Nationwide

ATCT INTERFACE TO VAULT

LIGHTING CONTACTOR PANEL DETAIL