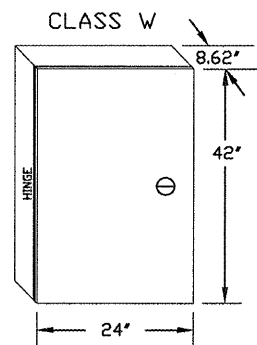


JUL 25, 2008 9:40 AM VOORHOORBOG  
 I:\AIRPORTS\ST. LOUIS DOWNTOWN\8450TELEC\AIRPORT SHEETS\E-606.DWG - Work

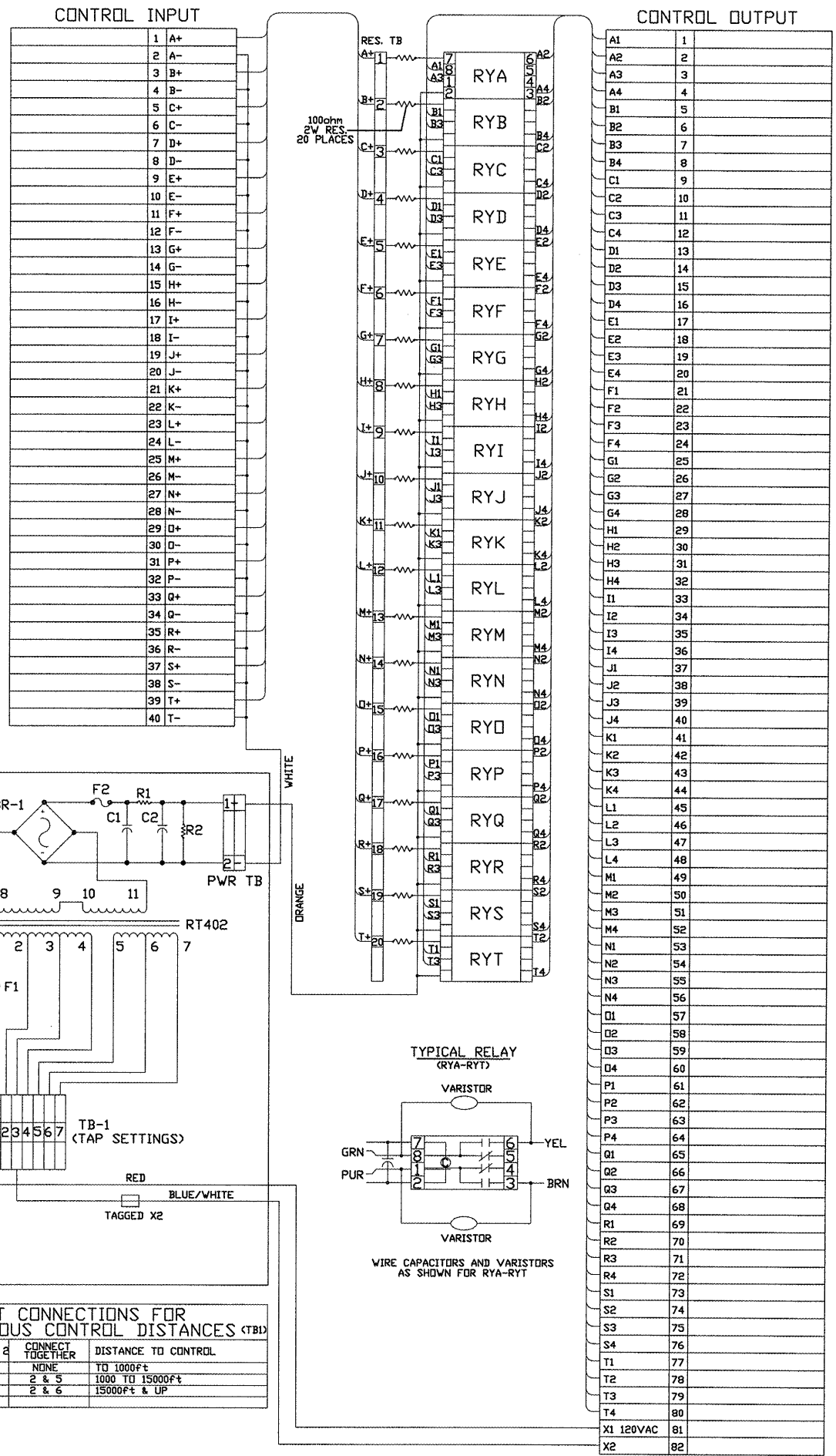
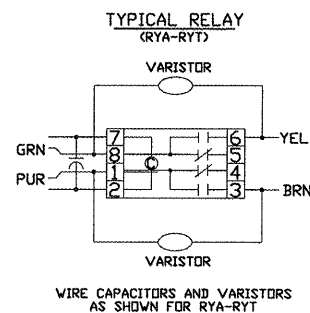
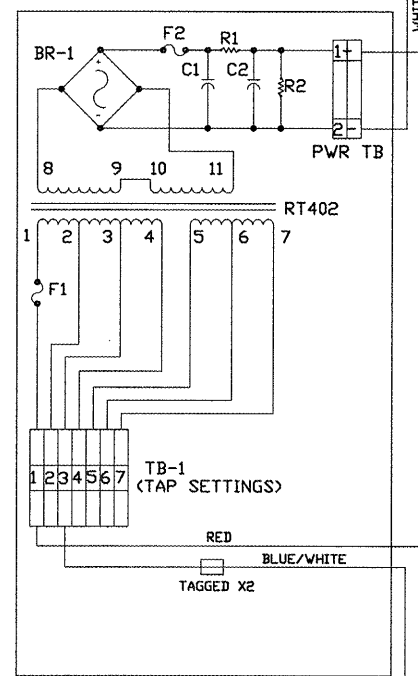
### PARTS LIST

PART	DESCRIPTION
PANEL BOX	A-42N24B NEMA 1 W/PANEL
RYA-RYT	MK2P-S DMRON
TRANS.	RT402 STANCOR
BR-1	3A-5A 200PIV
F1	3A
F2	2A
R1	15ohm 20/25W
R2	200ohm 40/50W
20 RES.	100ohm 2W
C1,C2	2900uF 75V
20 CAPS.	.47uF 100V
40 VARIS.	VP130
TERM BLK	9080-GK6 SQ D
WIRE	MIL-P16878D-B16

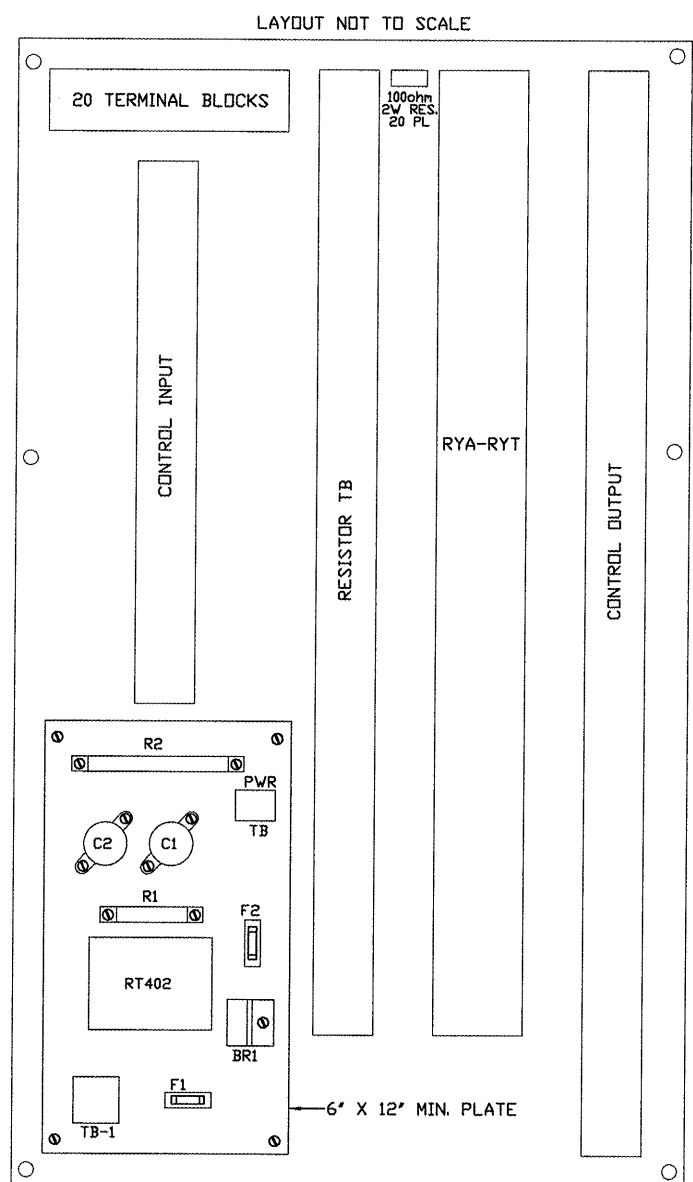


INPUT CONNECTIONS FOR VARIOUS CONTROL DISTANCES (TBI)

INPUT X &	CONNECT TOGETHER	DISTANCE TO CONTROL
3	NONE	TO 1000ft
7	2 & 5	1000 TO 15000ft
7	2 & 6	15000ft & UP



SD049



38" X 22.5" NEMA 1

- NOTES**
- 48 VDC PILOT RELAY PANEL IS SIMILAR TO AN L-841 AUXILIARY RELAY PANEL.
  - TWO 48 VDC PILOT RELAY PANELS MANUFACTURED BY UNIVERSE, INC. WILL BE FURNISHED BY THE AIRPORT AND SHALL BE INSTALLED BY THE CONTRACTOR AT THE VAULT.
  - INSTALLATION OF 48 VDC PILOT RELAY PANELS WILL BE PAID FOR & INCLUDED WITH ITEM AR109200 INSTALL ELECTRICAL EQUIPMENT PER LUMP SUM.

 <b>HANSON</b> Professional Services Inc. 4227 Earth City Expressway, Suite 130 St. Louis, MO. 63045-1308 Offices Nationwide	ATCT INTERFACE TO VAULT PILOT RELAY PANEL 48 VDC	15 <small>15 of 26 sheets</small>	<p style="font-size: small;">             Hanson Project No. 8450TELECD 0900              Estimate E-606.DWG              Scale NONE              Date 07/16/07           </p> <table border="1" style="width: 100%; border-collapse: collapse; font-size: x-small;"> <tr> <td>LAYOUT</td> <td>KNL</td> <td>06/25/07</td> </tr> <tr> <td>DRAWN</td> <td>MY</td> <td>06/28/07</td> </tr> <tr> <td>REVIEWED</td> <td>CAH</td> <td>07/13/07</td> </tr> </table> <p style="font-size: x-small; text-align: right;">             IL PROJ.: CFS-3708              A Division of Bi-State Development Agency              A.I.P. PROJ.: 3-17-0039-B18           </p>	LAYOUT	KNL	06/25/07	DRAWN	MY	06/28/07	REVIEWED	CAH	07/13/07
LAYOUT	KNL	06/25/07										
DRAWN	MY	06/28/07										
REVIEWED	CAH	07/13/07										