

NOTES:
 DETAIL NUMBERS INDICATE NO. OF CABLES.

TRENCHES WITH MORE THAN SEVEN CABLES SHALL BE INCREASED 3" IN WIDTH FOR EACH ADDITIONAL CABLE; IF SPECIFIED ON PLANS TWO PARALLEL TRENCHES MAY BE CONSTRUCTED.

DEPTH OF TRENCHES SHALL BE AS SHOWN ABOVE UNLESS OTHERWISE SPECIFIED ON THE PLANS.

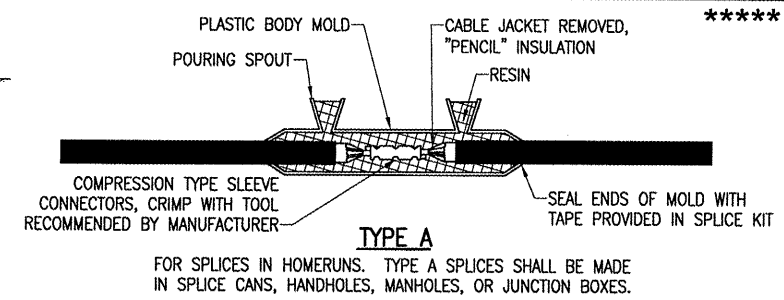
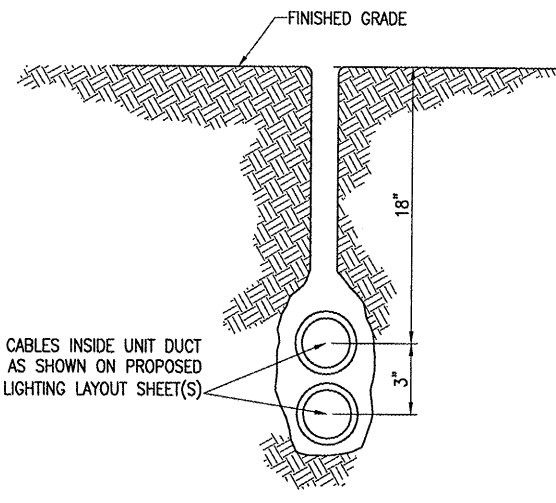
ALL DISTURBED SURFACES SHALL BE RESTORED TO THEIR ORIGINAL CONDITION. COST IS INCIDENTAL TO TRENCH.

CABLE TRENCHES
 (NOT TO SCALE)

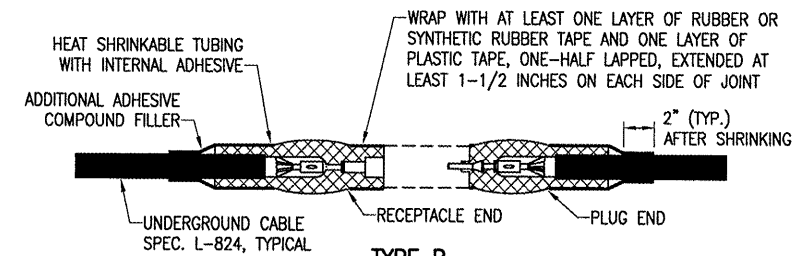
EARTH BACKFILL WILL HAVE MAXIMUM 1" SIZE PARTICLES AND WILL BE PLACED IN TWO LIFTS AS APPROXIMATELY SHOWN (TYPICAL FOR ALL TRENCHES)

CABLES INSIDE UNIT DUCT AS SHOWN ON PROPOSED LIGHTING LAYOUT SHEET(S)

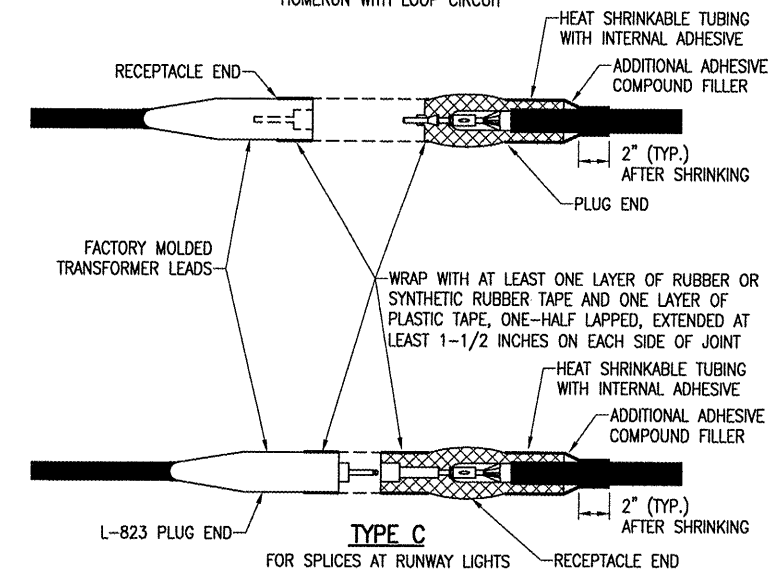
PLOWED CABLE
 (NOT TO SCALE)



FOR SPLICES IN HOMERUNS. TYPE A SPLICES SHALL BE MADE IN SPLICE CANS, HANDHOLES, MANHOLES, OR JUNCTION BOXES.



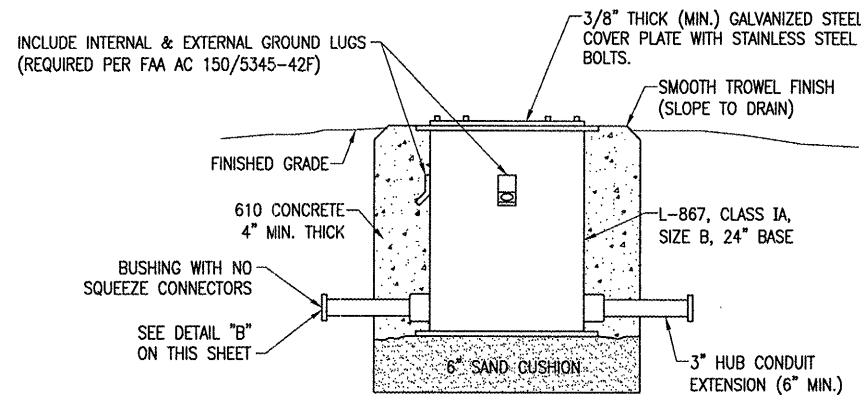
FOR SPLICES AT JUNCTION OF HOMERUN WITH LOOP CIRCUIT



NOTES:
 SEE PROPOSED LIGHTING LAYOUT SHEET(S) FOR SPLICE TYPE.

INSIDE DIAMETER OF CONNECTOR SHALL PROPERLY MATCH THE OUTSIDE DIAMETER OF CABLE.

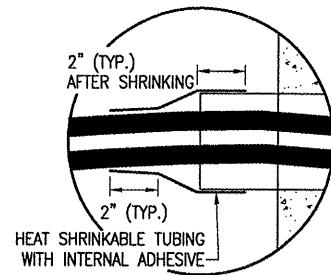
CABLE SPLICES
 (NOT TO SCALE)



SPLICE CAN DETAIL
 (NOT TO SCALE)

NOTES:

1. SPLICE CANS SHALL BE LOCATED AS DETAILED ON THE PLANS.
2. ADDITIONAL SPLICE CANS REQUIRED FOR EXISTING CABLES CUT AND REPAIRED OR TO ACCOMMODATE CABLE RESPECTIVE INSTALLATION SHALL BE INCIDENTAL TO THAT RESPECTIVE PAY ITEM OR REPAIR WORK.



DETAIL "B"
 (NOT TO SCALE)

THE LOCATION, SIZE AND TYPE OF MATERIAL OF EXISTING UNDERGROUND UTILITIES INDICATED ON THE PLANS IS NOT REPRESENTED AS BEING ACCURATE, SUFFICIENT OR COMPLETE. IT SHALL BE THE CONTRACTOR'S RESPONSIBILITY TO DETERMINE THE ACTUAL LOCATION OF ALL SUCH FACILITIES, INCLUDING SERVICE CONNECTIONS TO UNDERGROUND UTILITIES. PRIOR TO CONSTRUCTION, THE CONTRACTOR SHALL NOTIFY THE UTILITY COMPANIES OF HIS OPERATIONAL PLANS AND SHALL OBTAIN FROM THE RESPECTIVE UTILITY COMPANIES DETAILED INFORMATION AND ASSISTANCE RELATIVE TO THE LOCATION OF THEIR FACILITIES AND THE WORKING SCHEDULE OF THE COMPANIES FOR REMOVAL OR ADJUSTMENT WHERE REQUIRED. IN THE EVENT AN UNEXPECTED UTILITY INTERFERENCE IS ENCOUNTERED DURING CONSTRUCTION, THE CONTRACTOR SHALL IMMEDIATELY NOTIFY THE UTILITY COMPANY OF JURISDICTION. THE ENGINEER SHALL ALSO BE IMMEDIATELY NOTIFIED. ANY SUCH MAINS AND SERVICES SHALL BE RESTORED TO SERVICE AT ONCE AND PAID FOR BY THE CONTRACTOR AT NO ADDITIONAL COST TO THE CONTRACT.

CALL J.U.L.I.E. FOR UTILITY INFORMATION AT 1-800-892-0123. CONTACT AIRPORT PERSONNEL FOR ASSISTANCE IN LOCATING AIRPORT CABLES. CONTACT FAA FOR ASSISTANCE IN LOCATING FAA CABLES

BY	REVISION	DATE

TRI-TOWNSHIP AIRPORT
 SAVANNA, CARROLL COUNTY
 ILLINOIS

PROJECT NO.	DATE	BY	DATE	BY
826-E-502.DWG	01/02/08	KNL	01/02/08	KNL
	01/02/08	MOR	01/02/08	MOR
	07/13/07	CAH	07/13/07	CAH

HANSON
 Hanson Professional Services Inc.
 1525 South Sixth Street
 Springfield, Illinois 62703-2886
 Offices Nationwide

ATCT INTERFACE
 TO VAULT
 ELECTRICAL DETAILS
 SHEET 3