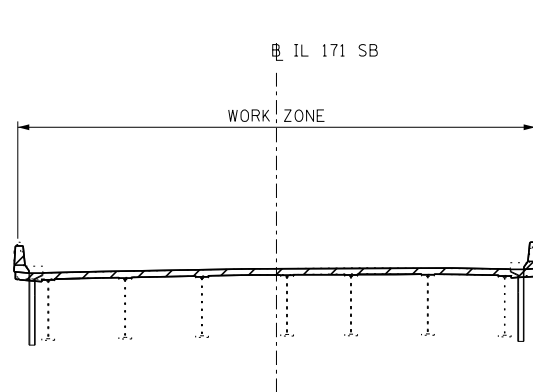
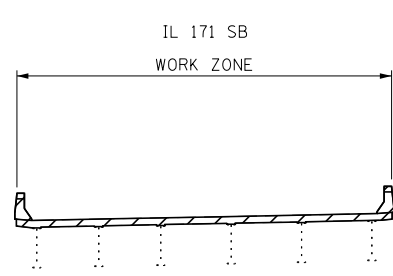
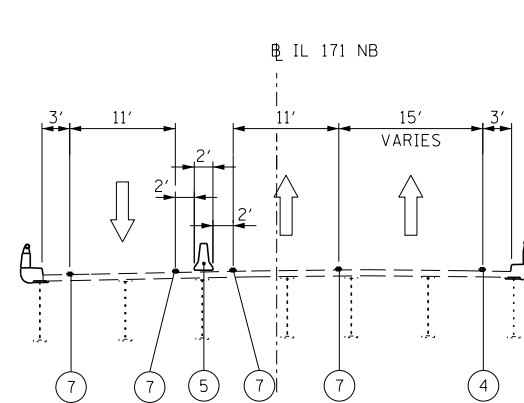


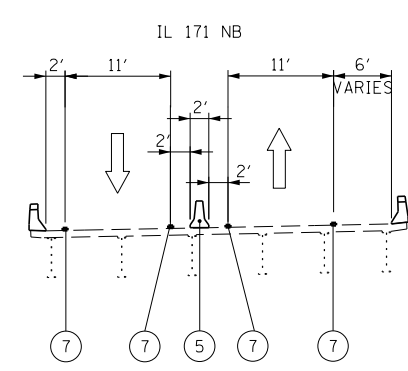
STA 10+54 TO STA 21+50



STA 21+50 TO STA 40+08  
STA 40+08 TO STA 43+22



STA 43+22 TO STA 55+75  
STA 55+75 TO STA 80+68



**LEGEND**

- ① TEMPORARY PAVEMENT MARKING - 4 INCH WHITE
  - ② TEMPORARY PAVEMENT MARKING - 4 INCH YELLOW
  - ③ DRUM W/STEADY BURN MONODIRECTIONAL LIGHT
  - ④ EXISTING PAVEMENT MARKING
  - ⑤ TEMPORARY CONCRETE BARRIER
  - ⑥ TEMPORARY PAVEMENT MARKING - 6 INCH WHITE W/TEMPORARY RAISED REFLECTIVE PAVEMENT MARKER
  - ⑦ TEMPORARY PAVEMENT MARKING PLACED IN PREVIOUS STAGE
  - ⑧ WET REFLECTIVE TEMPORARY TAPE - 4 INCH (WHITE)
  - ⑨ WET REFLECTIVE TEMPORARY TAPE - 4 INCH (YELLOW)
- WORK AREA
  - TEMPORARY PAVEMENT PLACED PREVIOUS STAGE
  - TEMPORARY PAVEMENT PLACED THIS STAGE

**NOTE:**

SEE TEMPORARY PAVEMENT (CROSSOVER) DETAIL SHEETS FOR SPOT ELEVATIONS.

|   |                  |           |
|---|------------------|-----------|
| FILE NAME =                             | DESIGNED - AAA   | REVISED - |
| ...\\D160J16-sht-MOT-extyp-stgIB-01.dgn | DRAWN - TMB      | REVISED - |
| USER NAME = tblank                      | CHECKED - JMM    | REVISED - |
| PLOT DATE = 8/7/2014                    | DATE - 6/23/2014 | REVISED - |



STATE OF ILLINOIS  
DEPARTMENT OF TRANSPORTATION

MAINTENANCE OF TRAFFIC  
STAGE 1B

SHEET 27 OF 50 SHEETS STA. TO STA.

|                    |             |        |                           |           |
|--------------------|-------------|--------|---------------------------|-----------|
| F.A.P. RTE.        | SECTION     | COUNTY | TOTAL SHEETS              | SHEET NO. |
| 372/373            | 2013-038B-R | COOK   | 821                       | 88        |
| CONTRACT NO. 60J16 |             |        | ILLINOIS FED. AID PROJECT |           |