

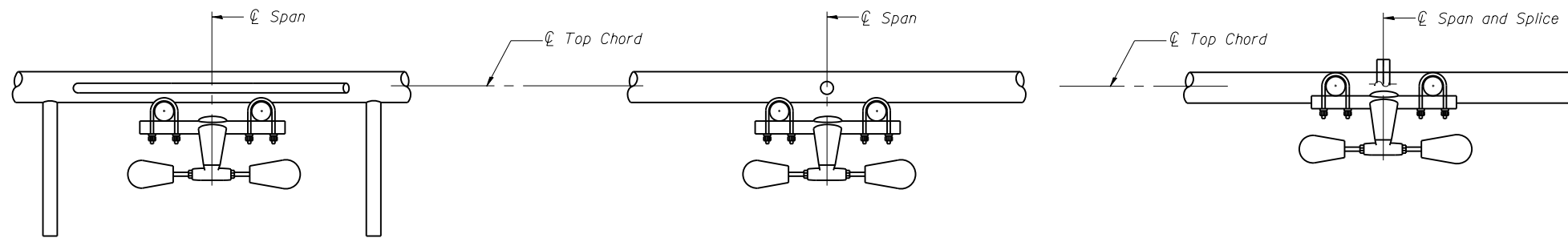
PLAN DETAIL "A"
 ☉ Span between Panel Points

PLAN DETAIL "B"
 ☉ Span at Panel Point

PLAN DETAIL "C"
 ☉ Span at ☉ Chord Splice

* Center of horizontal to center of splice dimension may vary. Verify before drilling holes in mounting tube.

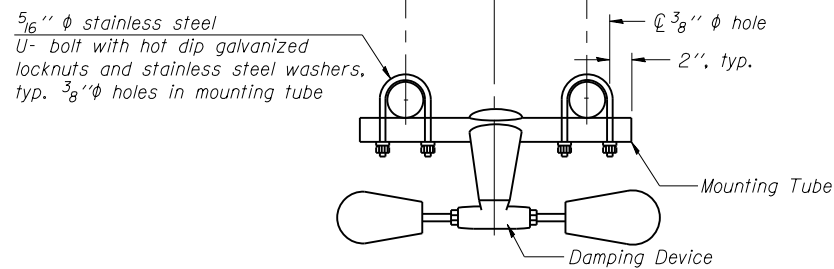
- NOTES**
- Damper: One damper per truss. (31 lbs. minimum Stockbridge-Type Aluminum - 29" minimum between ends of weights) Cost included in Overhead Sign Structure...
 - Materials: Materials: Aluminum tubes shall be ASTM B221 alloy 6061 temper T6. Cost included in Overhead Sign Structure...



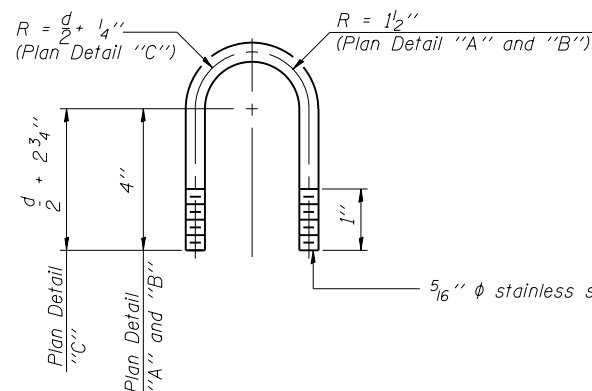
SECTION A-A

SECTION B-B

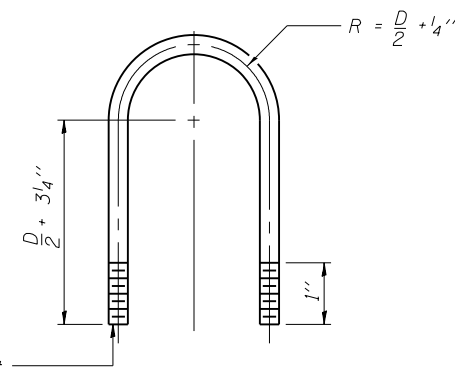
SECTION C-C



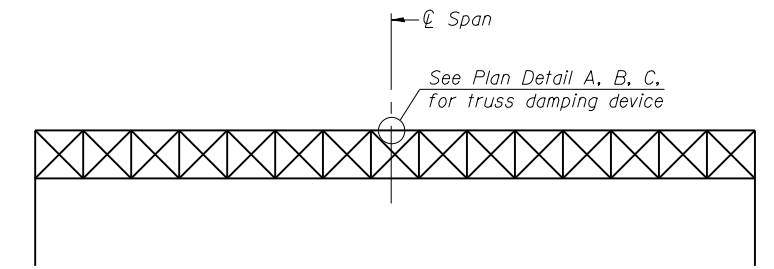
TRUSS DAMPING DEVICE CONNECTION DETAIL
 (Typical)



DAMPING DEVICE MOUNTING TUBE U-BOLT DETAIL
 (Typical)



TOP CHORD TO CROSS TUBE U-BOLT DETAIL
 (Typical - Detail "A" and "B")



ELEVATION
 Aluminum Overhead Sign Truss

OS-A-D

6-1-12

LE LIN ENGINEERING, LTD.
 Consulting Engineers
 Springfield, Illinois

USER NAME =	DESIGNED - JJA	REVISED -
FILE NAME =	CHECKED - TBP	REVISED -
PLOT SCALE =	DRAWN - RPW	REVISED -
PLOT DATE = 6/23/2014	CHECKED - TBP	REVISED -

STATE OF ILLINOIS
 DEPARTMENT OF TRANSPORTATION

OVERHEAD SIGN STRUCTURE
 DAMPING DEVICE

SHEET NO. 4 OF 10 SHEETS

F.A.P. RTE. = 372/373	SECTION = 2013-038B-R	COUNTY = COOK	TOTAL SHEETS = 821	SHEET NO. = 186
CONTRACT NO. 60J16				

ILLINOIS FED. AID PROJECT