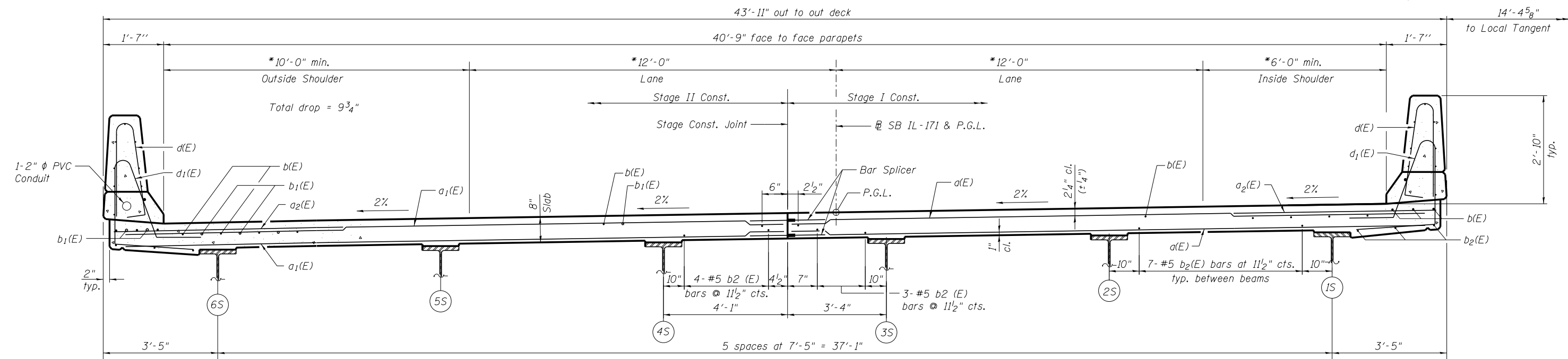


PARTIAL PLAN - SN 016-1000
(SB South half shown - SB North half opposite hand)

MINIMUM BAR LAP
(Slab)
#5 bar - 3'-3"

- NOTES:**
1. See sheet SA15 for superstructure details, parapet reinforcement and Bill of Material.
 2. See sheet SA19 for Section A-A.
 3. Bars indicated thus 20x3-#5 etc. indicates 20 lines of bars with 3 lengths per line.
 4. See sheet SA1 for Floor Drain locations.
 5. See sheet SA40 for Bar Splicer Details.



CROSS SECTION - SN 016-1000
(Looking North)

benesch
engineers · scientists · planners

Alfred Benesch & Company
205 North Michigan Avenue, Suite 2400
Chicago, Illinois 60601
312-565-0450 Job No. 10093

FILE NAME =	USER NAME = jsurber	DESIGNED - JOB	REVISD -
0161000_60J16_014_superstr_SB.dgn		CHECKED - RMM	REVISD -
		DRAWN - MAK	REVISD -
		CHECKED - RMM	REVISD -

STATE OF ILLINOIS
DEPARTMENT OF TRANSPORTATION

SUPERSTRUCTURE
STRUCTURE NO. 016-1000/1001

F.A.P. RT.	SECTION	COUNTY	TOTAL SHEETS	SHEET NO.
372	2013-038B-R	COOK	821	262
CONTRACT NO. 60J16				
ILLINOIS FED. AID PROJECT				

X:\100005\10093\Eng_Docs_Phase_1\SN_016_1000_1001_1st_Ave_over_47th_St\Final\0161000_60J16_014_superstr_SB.dgn

9:40:48 AM

7/29/2014