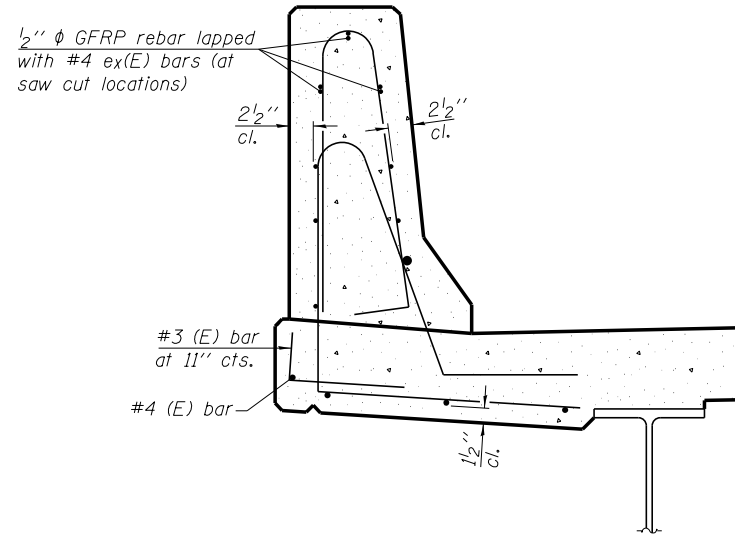


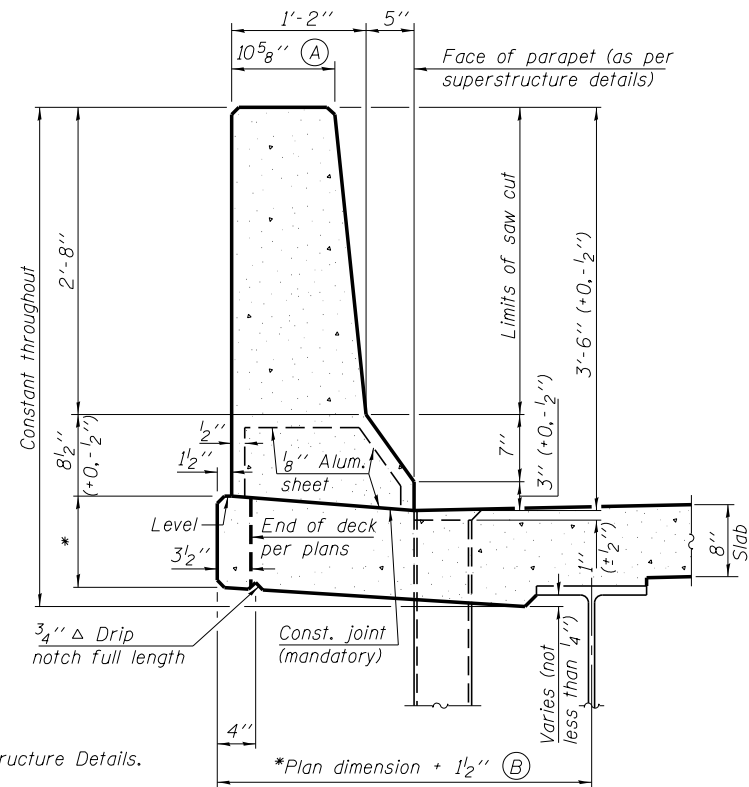
\*See Superstructure Details.

**34" F SHAPE PARAPET SECTION**  
(Showing dimensions)



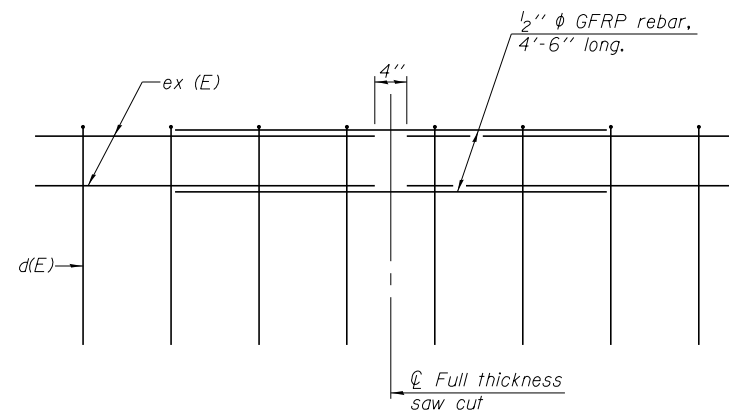
**SECTION**

(34" parapet shown - 42" parapet similar)  
(Showing reinforcement clearances for slip forming and additional reinforcement bars)



\*See Superstructure Details.

**42" F SHAPE PARAPET SECTION**  
(Showing dimensions)

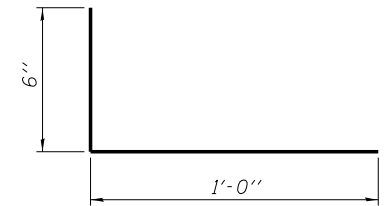


**GFRP REBAR STIFFENING DETAIL**

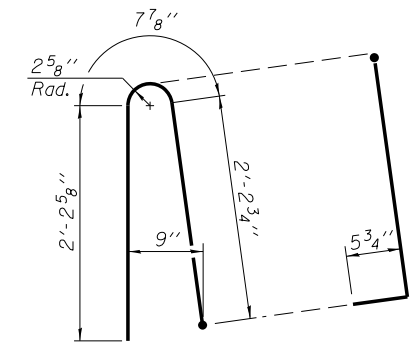
(Place as shown in parapet section at each parapet joint location.)

**GENERAL NOTES**

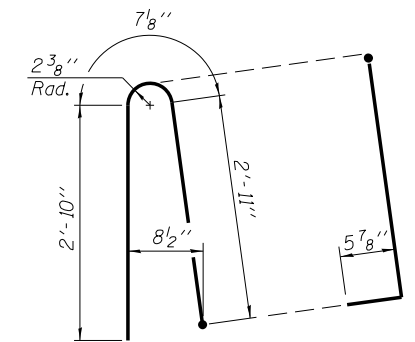
All dimensions shall remain the same as shown on superstructure details, except dimensions A and B which are to be revised as shown to provide additional clearance. Additional concrete needed to revise dimension A and B = 0.0165 cu. yds./ft. for 34" parapet or = 0.0223 cu. yds./ft. for 42" parapet. Place aluminum sheet in curb portion at and near piers. Full thickness saw cut at all joint locations in lieu of cork joint filler. Steel superstructure shown. Other superstructure types similar.



**#3 (E) BAR**



**ALTERNATE BAR d(E)**  
(For 34" parapet when conduit is present)



**ALTERNATE BAR d(E)**  
(For 42" parapet when conduit is present)



Alfred Benesch & Company  
205 North Michigan Avenue, Suite 2400  
Chicago, Illinois 60601  
312-565-0450 Job No. 10093

SFP 34-42

8-16-12

FILE NAME =  
0161000\_60J16\_018\_concs1pform.dgn

USER NAME = tjenicke  
PLOT SCALE =  
PLOT DATE = 12/20/2012

DESIGNED - MAK  
CHECKED - RMM  
DRAWN - MAK  
CHECKED - RMM

REVISED -  
REVISED -  
REVISED -  
REVISED -

**STATE OF ILLINOIS  
DEPARTMENT OF TRANSPORTATION**

**CONCRETE PARAPET SLIPFORMING OPTION  
STRUCTURE NO. 016-1000/1001**

SHEET NO. SA18 OF SA40 SHEETS

F.A.P. RE.	SECTION	COUNTY	TOTAL SHEETS	SHEET NO.
372	2013-038B-R	COOK	821	266
				CONTRACT NO. 60J16
ILLINOIS FED. AID PROJECT				

X:\1000005\10093\Eng\_Docs\_Phase\_1\1\SN\_016\_1000\_1001\_1st\_Ave\_over\_47th\_St\Final\0161000\_60J16\_018\_concs1pform.dgn 2:28:07 PM 6/23/2014