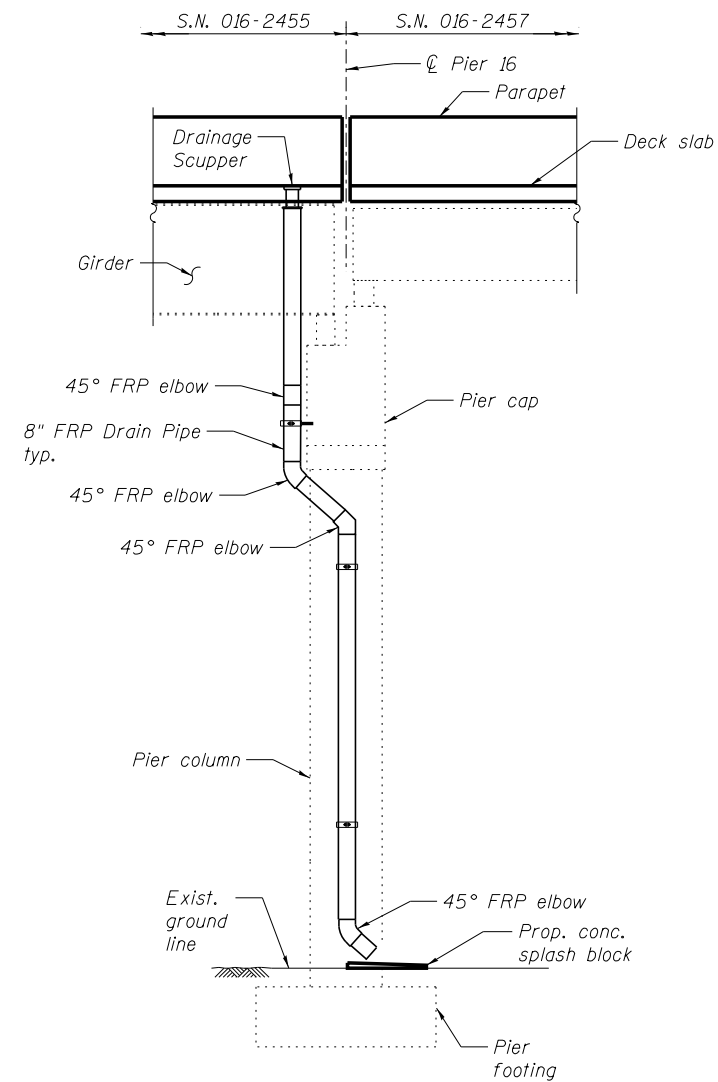


ELEVATION - PIER 16
(Looking Downstation / South)



END VIEW - PIER 16
(Looking East)

NOTES:

1. Closed Drainage system shall be fabricated and installed in accordance with Special Provision "Drainage System".
2. The surface of the fiberglass shall be free of bond inhibiting agents.

BILL OF MATERIAL

ITEM	UNIT	TOTAL
Drainage System	L. Sum	1

benesch
engineers · scientists · planners
Alfred Benesch & Company
205 North Michigan Avenue, Suite 2400
Chicago, Illinois 60601
312-565-0450 Job No. 10093

FILE NAME = 0162455.60J16.023.pierdraindet-1.dgn	USER NAME = tjenicke	DESIGNED - DTS	REVISED -
		CHECKED - JLS	REVISED -
	PLOT SCALE =	DRAWN - DTS	REVISED -
	PLOT DATE = 12/20/2013	CHECKED - JLS	REVISED -

STATE OF ILLINOIS
DEPARTMENT OF TRANSPORTATION

PIER DRAINAGE SYSTEM DETAILS (1 OF 2)
STRUCTURE NO. 016-2455

SHEET NO. SC23 OF SC35 SHEETS

F.A.P. RTE.	SECTION	COUNTY	TOTAL SHEETS	SHEET NO.
372	2013-038B-R	COOK	821	349
			CONTRACT NO. 60J16	
ILLINOIS FED. AID PROJECT				