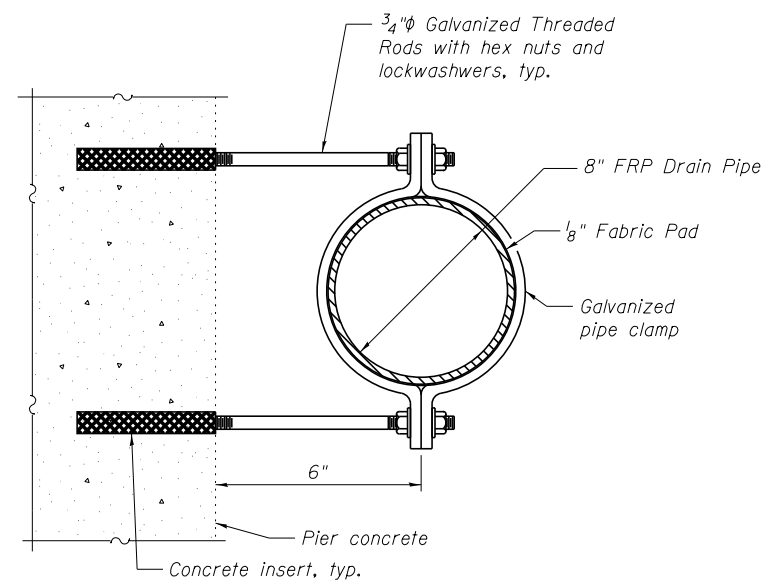
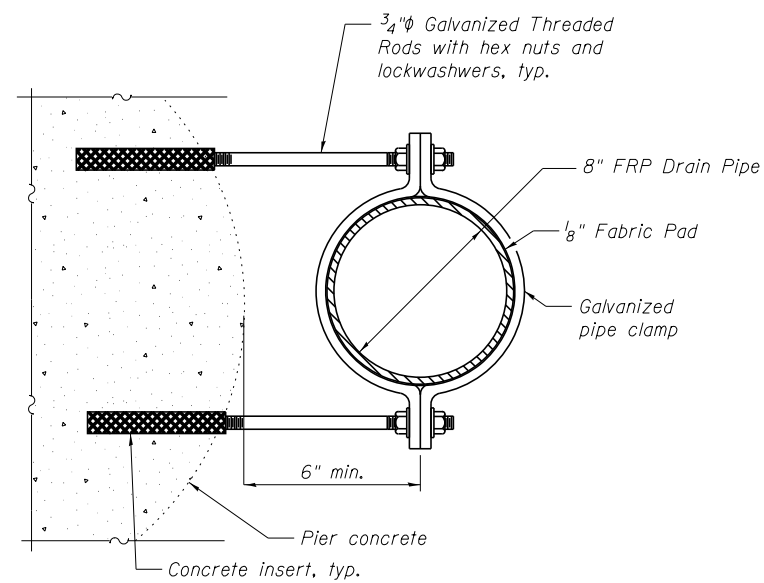


**PIPE SUPPORT PLAN AT PIER**



**SECTION A-A**  
Pier Cap



**SECTION A-A**  
Pier Column



Alfred Benesch & Company  
205 North Michigan Avenue, Suite 2400  
Chicago, Illinois 60601  
312-565-0450 Job No. 10093

FILE NAME = 0162455.60J16\_024\_pierdraindet-2.dgn

USER NAME = tjenicke  
PLOT SCALE =  
PLOT DATE = 12/20/2013

DESIGNED - GJK/DTS  
CHECKED - RDK/JLS  
DRAWN - DTS  
CHECKED - JDM/JLS

REVISED -  
REVISED -  
REVISED -  
REVISED -

**STATE OF ILLINOIS  
DEPARTMENT OF TRANSPORTATION**

**PIER DRAINAGE SYSTEM DETAILS (2 OF 2)  
STRUCTURE NO. 016-2455**

SHEET NO. SC24 OF SC35 SHEETS

F.A.P. RTE.	SECTION	COUNTY	TOTAL SHEETS	SHEET NO.
372	2013-038B-R	COOK	821	350
ILLINOIS FED. AID PROJECT			CONTRACT NO. 60J16	