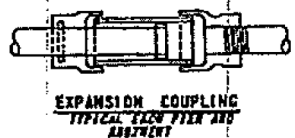
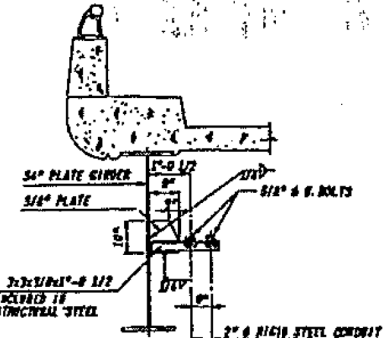
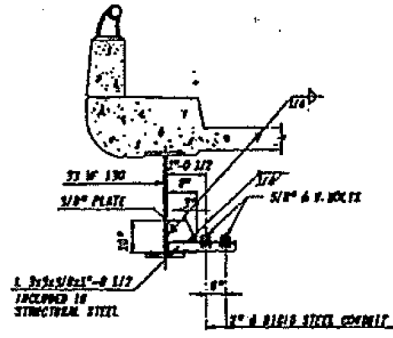
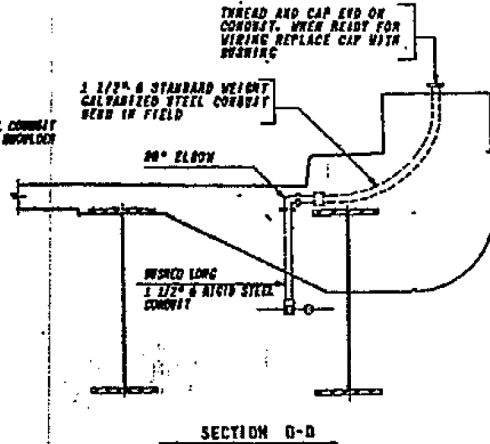
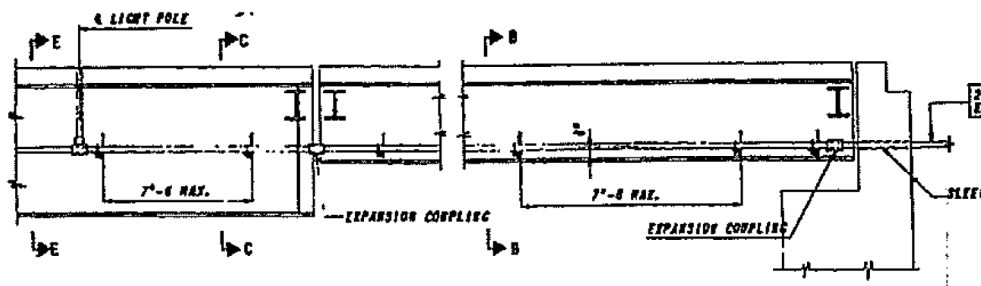
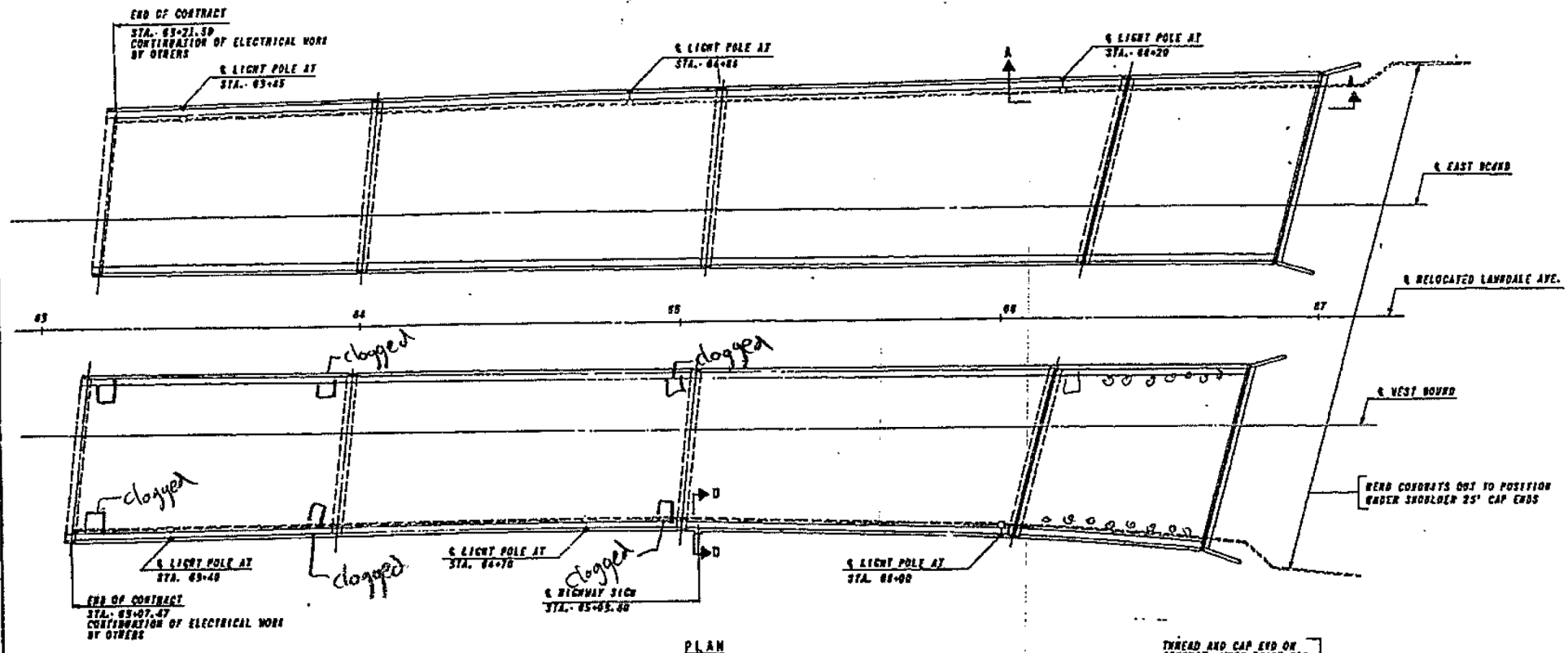


P.L. NO.	SECTION	EXPIRES/DATE	TOTAL SHEETS	SHEET NO.
101	000-027 V8	UNLIMITED	62	47
STA.	TO STA.			
FROM ROAD DIST. NO. 1		ALIGNED	FOR AID PROJECT	



BILL OF MATERIAL		
ITEM	UNIT	QUANTITY
CONDUIT IN TRENCH 2" DIA. GALV. STEEL	LIN. FT.	200
CONDUIT ATTACHED TO STRUCTURE 1 1/2" DIA. GALV. STEEL	LIN. FT.	18
CONDUIT ATTACHED TO STRUCTURE 3" DIA. GALV. STEEL	LIN. FT.	2,050
CONDUIT IN CONCRETE 1 1/2" DIA. GALV. STEEL	LIN. FT.	30
CONDUIT IN CONCRETE 3" DIA. GALV. STEEL	LIN. FT.	8
TRENCH AND BACKFILL	LIN. FT.	50

NOTES: FOR SECTION E-E, SEE LIGHT STANDARD BASE DETAILS OF SHEET: "PARAPET AND HANDRAIL DETAILS". PRICE PER UNIT FOOT OF CONDUIT SHALL INCLUDE ALL COUPLERS, ELBOWS, FITTINGS ETC., NECESSARY TO COMPLETE INSTALLATION.

REVISIONS	
NAME	DATE

ILLINOIS DIVISION OF HIGHWAYS	
SOUTHWEST EXPRESSWAY	
FA. RT 133	
LAWDALE AVE. STRUCTURE OVER	
AT S.F. RY. C&N.W. RR & B&OCT R.R.	
SECTION 0808-027 V8	
ELECTRICAL DETAILS	
SCALE: HORIZ. 1"=20'-0"	DRAWN BY O.U.
DATE 11-20-65	CHECKED BY L.L.

**benesch**  
engineers - scientists - planners

Alfred Benesch & Company  
205 North Michigan Avenue, Suite 2400  
Chicago, Illinois 60601  
312-565-0450 Job No. 10093

FILE NAME = 0162455.60J16.046.existplan.dgn	USER NAME = tjenicke	DESIGNED - RDK	REVISED -
		CHECKED - JDM	REVISED -
		DRAWN - MAK	REVISED -
		CHECKED - JDM	REVISED -
			REVISED -

STATE OF ILLINOIS  
DEPARTMENT OF TRANSPORTATION

EXISTING PLAN INFORMATION (11 OF 14)  
STRUCTURE NO. 016-2455

SHEET NO. SCX11 OF SCX14 SHEETS

FOR INFORMATION ONLY

F.A.P. RTE. 372	SECTION 2013-038B-R	COUNTY COOK	TOTAL SHEETS 821	SHEET NO. 372
			CONTRACT NO. 60J16	
ILLINOIS FED. AID PROJECT				

X:\100005\10093\Eng\_Docs\_Phase\_1\11\SN\_016\_2455\_1st\_Ave\_cover\_AT&SF\_RR\Final\0162455\_60J16\_046.existplan.dgn 2:38:53 PM 6/23/2014