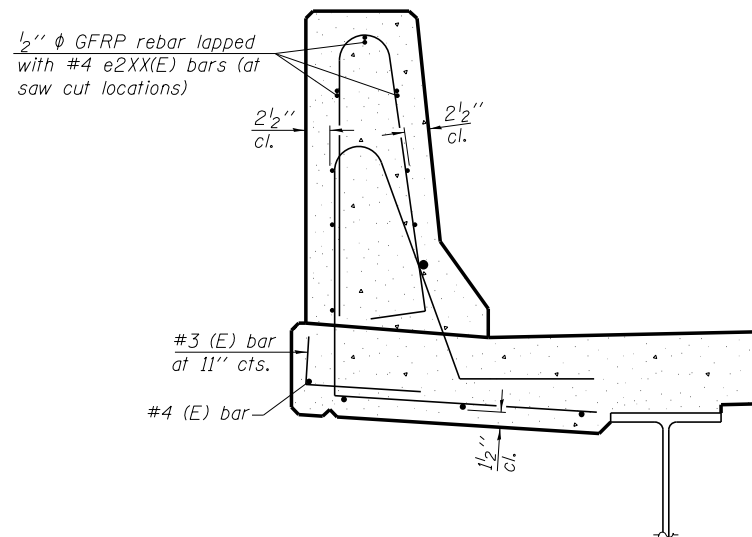


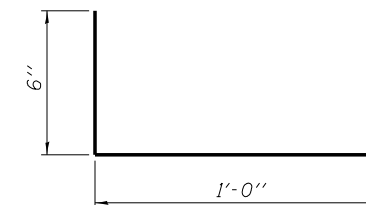
34" F SHAPE PARAPET SECTION
(Showing dimensions)



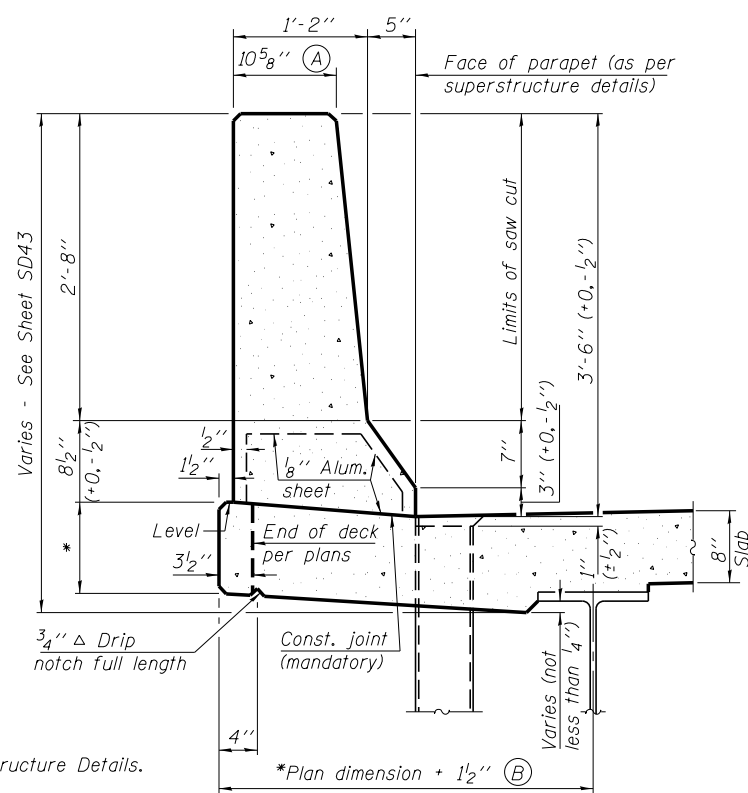
SECTION
(34" parapet shown - 42" parapet similar)
(Showing reinforcement clearances for slip forming and additional reinforcement bars)

GENERAL NOTES

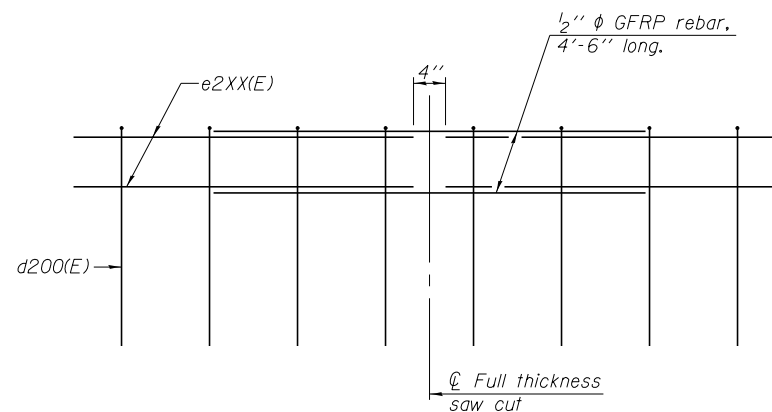
All dimensions shall remain the same as shown on superstructure details, except dimensions A and B which are to be revised as shown to provide additional clearance. Additional concrete needed to revise dimension A and B = 0.0165 cu. yds./ft. for 34" parapet or = 0.0223 cu. yds./ft. for 42" parapet. Place aluminum sheet in curb portion at and near piers. Full thickness saw cut at all joint locations in lieu of cork joint filler. Steel superstructure shown. Other superstructure types similar.



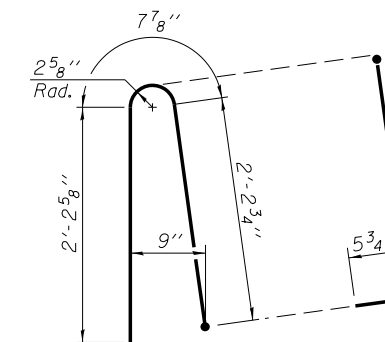
#3 (E) BAR



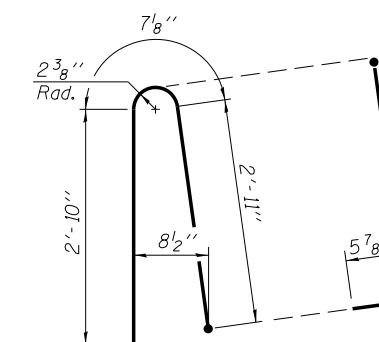
42" F SHAPE PARAPET SECTION
(Showing dimensions)



GFRP REBAR STIFFENING DETAIL
(Place as shown in parapet section at each parapet joint location.)



ALTERNATE BAR d200(E)
(For 34" parapet when conduit is present)



ALTERNATE BAR d200(E)
(For 42" parapet when conduit is present)

FILE NAME =	USER NAME = ksnider	DESIGNED - FSM	REVISED -
0162457.60J16.048.parapetslipform.dgn		CHECKED - RMM	REVISED -
	PLOT SCALE =	DRAWN - FSM	REVISED -
	PLOT DATE = 12/20/2013	CHECKED - RMM	REVISED -

F.A.P. RTE.	SECTION	COUNTY	TOTAL SHEETS	SHEET NO.
372	2013-038B-R	COOK	821	423
CONTRACT NO. 60J16				
ILLINOIS FED. AID PROJECT				