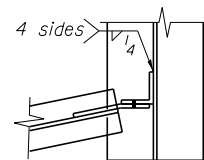


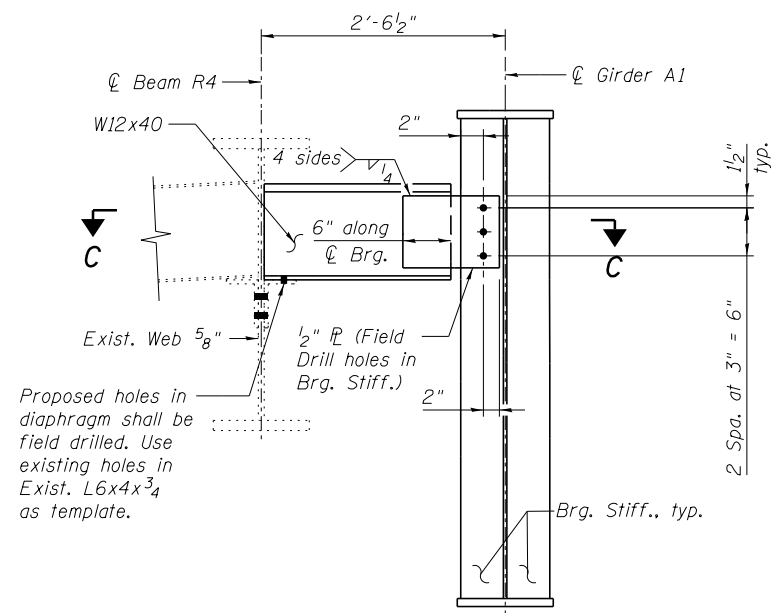
TYPE D1 & D1A DIAPHRAGM

(No. Req'd = 3)



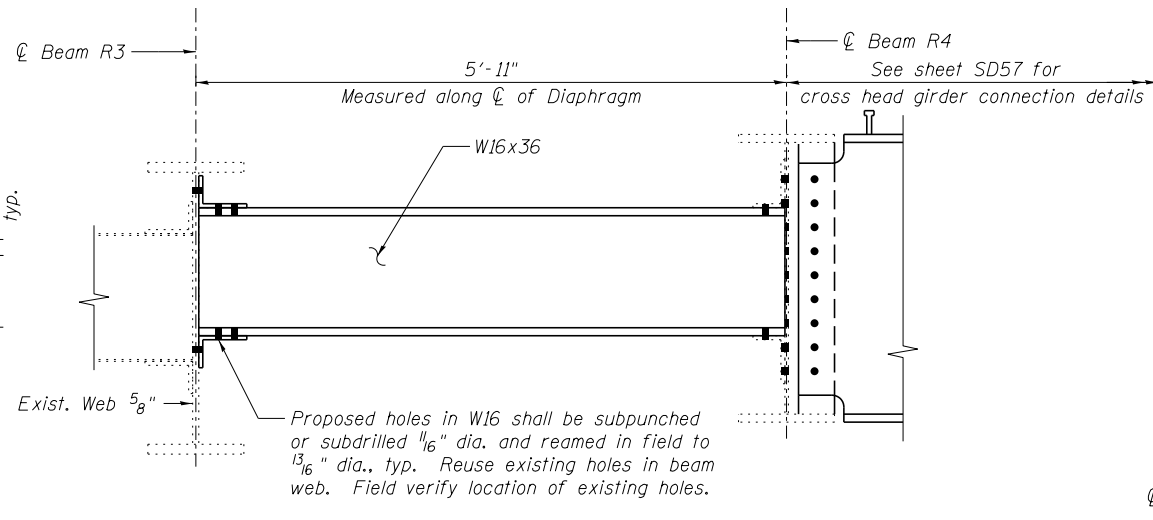
SECTION A-A

(Type D1A Shown)



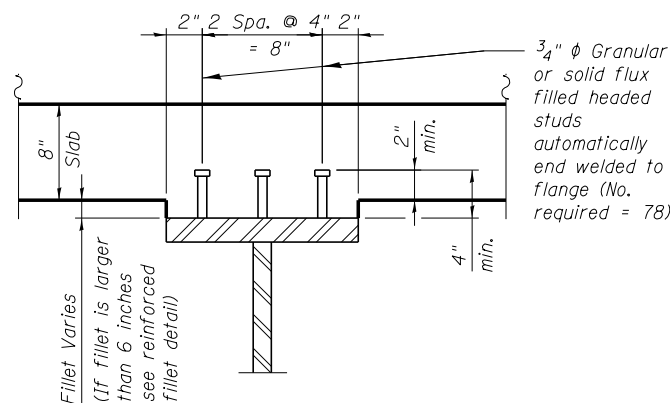
TYPE D3 DIAPHRAGM

(No. Req'd = 1)

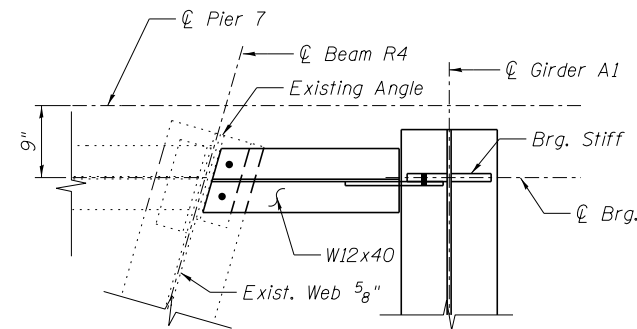


TYPE D2 DIAPHRAGM

(No. Req'd = 1)



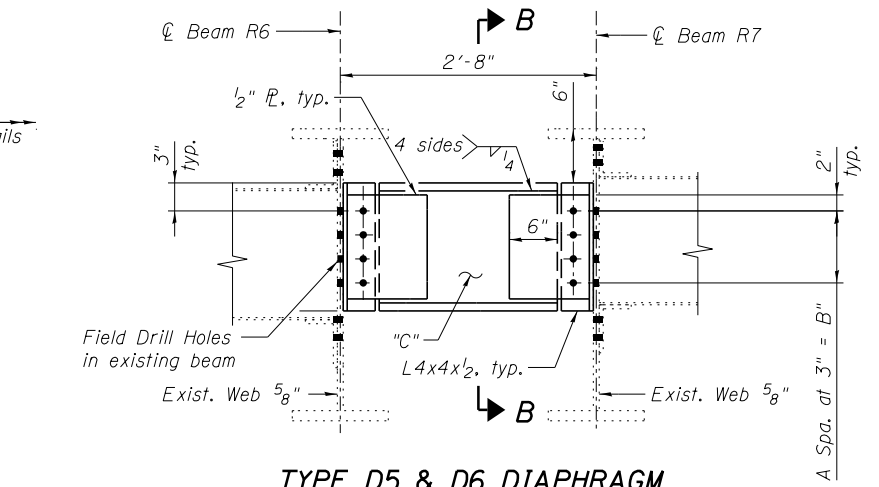
SHEAR STUD DETAILS



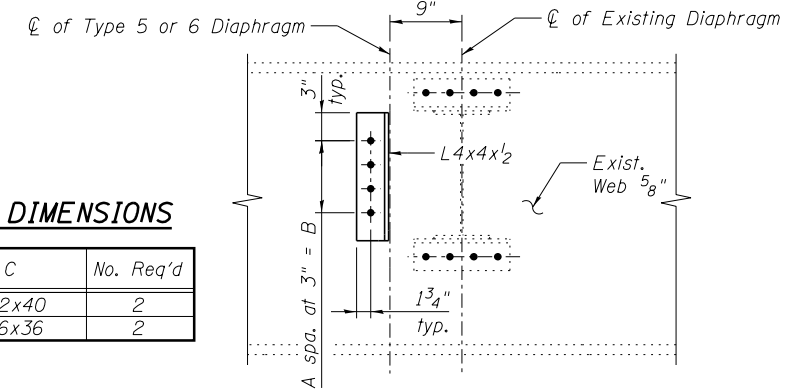
SECTION C-C

TYPE 5 & 6 DIAPHRAGM DIMENSIONS

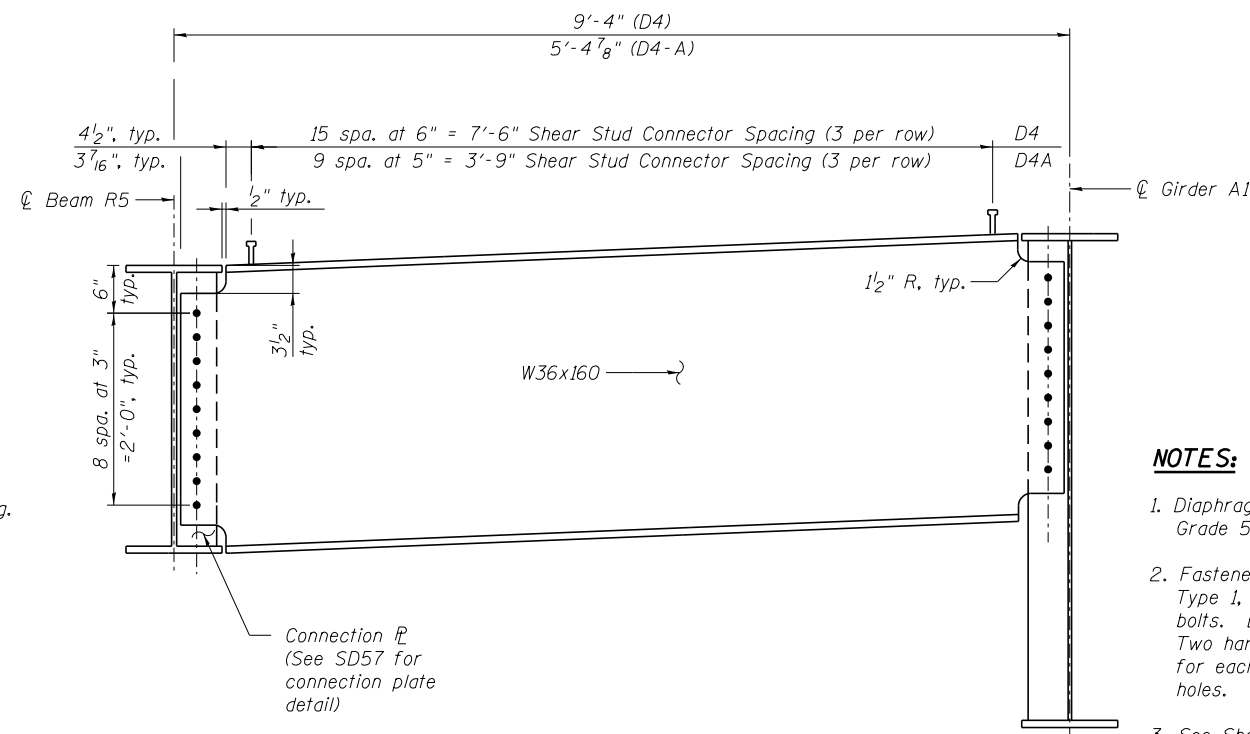
Type	A	B	C	No. Req'd
5	2	6"	W12x40	2
6	3	9"	W16x36	2



TYPE D5 & D6 DIAPHRAGM



VIEW B-B



TYPE D4 & D4A DIAPHRAGM

(No. Req'd = 2)

NOTES:

- Diaphragms shall be AASHTO Grade 50 Steel.
- Fasteners shall be ASTM A325 Type 1, mechanically galvanized bolts. Bolts 3/4" φ, holes 15/16" φ. Two hardened washers required for each set of oversized holes.
- See Sheet SD68 for existing diaphragm details.
- Cost of field drilling included with "Furnishing and Erecting Structural Steel".

benesch
engineers · scientists · planners

Alfred Benesch & Company
205 North Michigan Avenue, Suite 2400
Chicago, Illinois 60601
312-565-0450 Job No. 10093

FILE NAME =	USER NAME = ksnider	DESIGNED - DTS/MJF	REVISED -
0162457.60J16.058.Steel.Diaphragm.Detail	PLT SCALE =	CHECKED - KMP	REVISED -
	PLOT DATE = 12/20/2013	DRAWN - DTS	REVISED -
		CHECKED - KMP	REVISED -

**STATE OF ILLINOIS
DEPARTMENT OF TRANSPORTATION**

**STEEL DIAPHRAGM DETAILS (2 OF 2)
STRUCTURE NO. 016-2457**

SHEET NO. SD58 OF SD83 SHEETS

F.A.P. RTE.	SECTION	COUNTY	TOTAL SHEETS	SHEET NO.
372	2013-038B-R	COOK	821	433
CONTRACT NO. 60J16			ILLINOIS FED. AID PROJECT	

8/6/2014

3:49:35 PM

Y:\chicago\100005\10093\Eng_Docs\Phase_1\16-2456-2457-1st-Ave-over-Des-Planes-River_Valley\Final\0162457-60J16-058-Steel.Diaphragm-Details-2