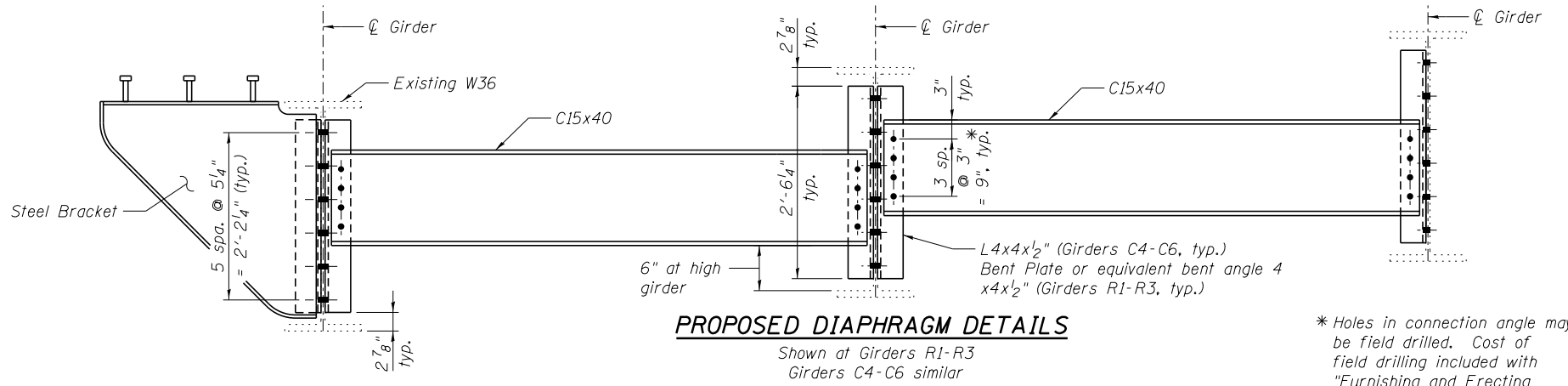
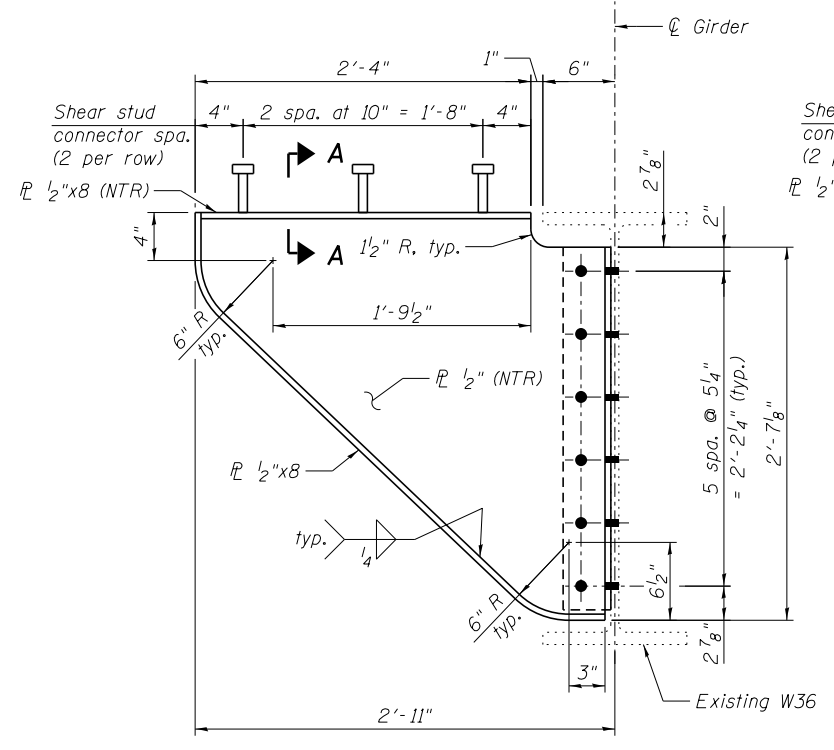


**PARTIAL FRAMING PLAN AND DIAPHRAGM DETAILS - PIER 8**

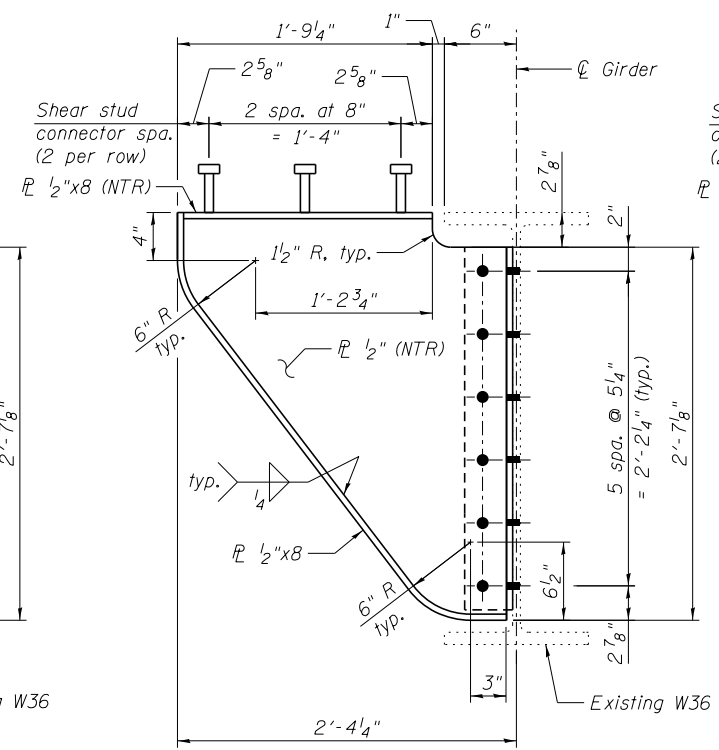


**PROPOSED DIAPHRAGM DETAILS**

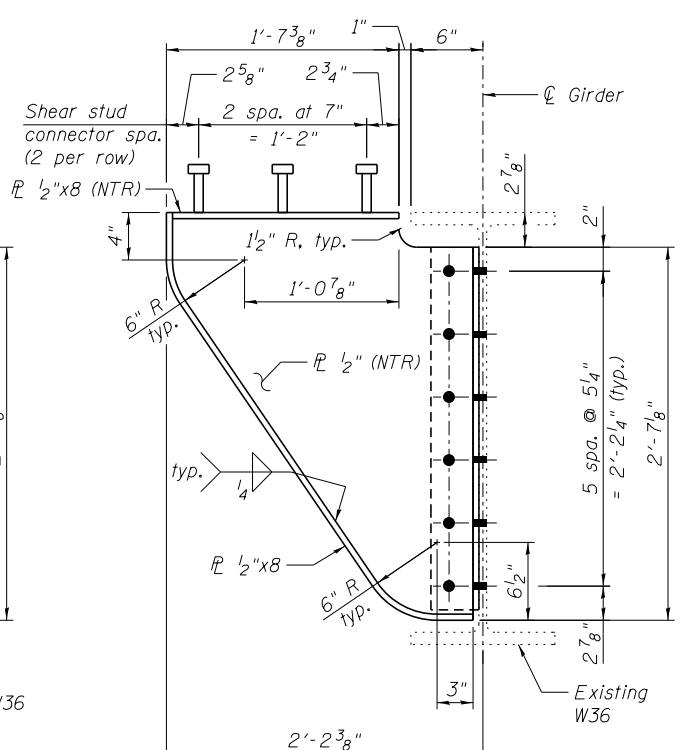
Shown at Girders R1-R3  
Girders C4-C6 similar



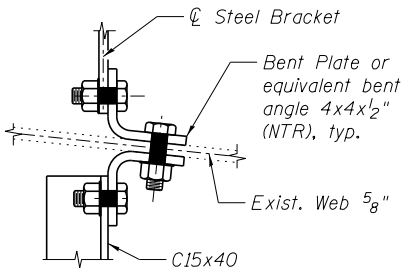
**NORTH AND SOUTH BRACKETS GIRDER C6**



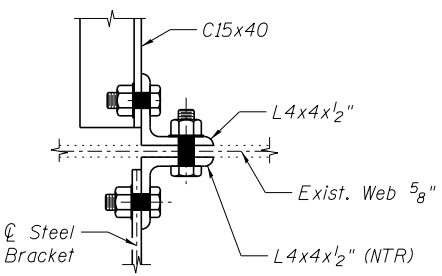
**SOUTH BRACKET GIRDER R1**



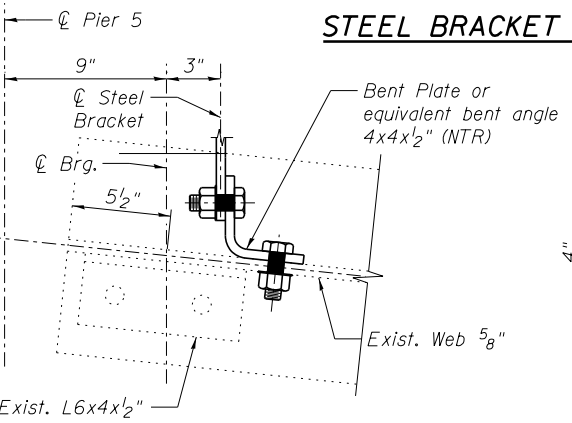
**NORTH BRACKET GIRDER R1**



**DETAIL 1**  
Shown at Girder R1.  
Girders R2 & R3 similar.  
Top and bottom flanges not shown for clarity.

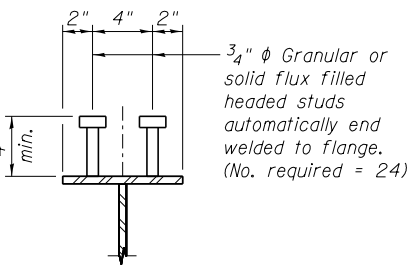


**DETAIL 2**  
Shown at Girder C6.  
Girders C4 & C5 similar.  
Top and bottom flanges not shown for clarity.



**DETAIL 3**  
Shown at Girder R1, Girder C6 similar

**STEEL BRACKET DETAILS**



**SECTION A-A**

**NOTES:**

1. Fasteners shall be ASTM A325 Type 1, mechanically galvanized bolts. Bolts 3/4" phi, holes 5/16" phi, unless noted otherwise.
2. For Sign Support Deck Bilster Details, see Sheet SD44.
3. For Sign Truss details, see Signing Plans.
4. Load carrying components designated "NTR" shall conform to the Impact Testing Requirements, Zone 2.
5. Holes in existing webs shall be field drilled, cost included with "Furnishing and Erecting Structural Steel".

**benesch**  
engineers · scientists · planners

Alfred Benesch & Company  
205 North Michigan Avenue, Suite 2400  
Chicago, Illinois 60601  
312-565-0450 Job No. 10093

FILE NAME =	USER NAME = ksnider	DESIGNED - AWH	REVISED -
0162457.60J16.060.Framing_Diaphragm_Span_5	SCALE =	CHECKED - AJK	REVISED -
	PLOT DATE = 12/20/2013	DRAWN - AWH	REVISED -
		CHECKED - AJK	REVISED -

**STATE OF ILLINOIS  
DEPARTMENT OF TRANSPORTATION**

**FRAMING PLAN AND DIAPHRAGM DETAILS - SPAN 5  
STRUCTURE NO. 016-2457**

SHEET NO. SD60 OF SD83 SHEETS

F.A.P. RTE.	SECTION	COUNTY	TOTAL SHEETS	SHEET NO.
372	2013-038B-R	COOK	821	435
CONTRACT NO. 60J16			ILLINOIS FED. AID PROJECT	

Y:\chicago\100005\10093\Eng\_Docs\Phase\_1\1\SN\_016\_2456\_2457\_1st\_Ave\_over\_Des\_Plaines\_River\_Valley\Final\0162457\_60J16\_060.Framing\_Diaphragm\_Span\_5.dwg 3:49:54 PM 8/6/2014