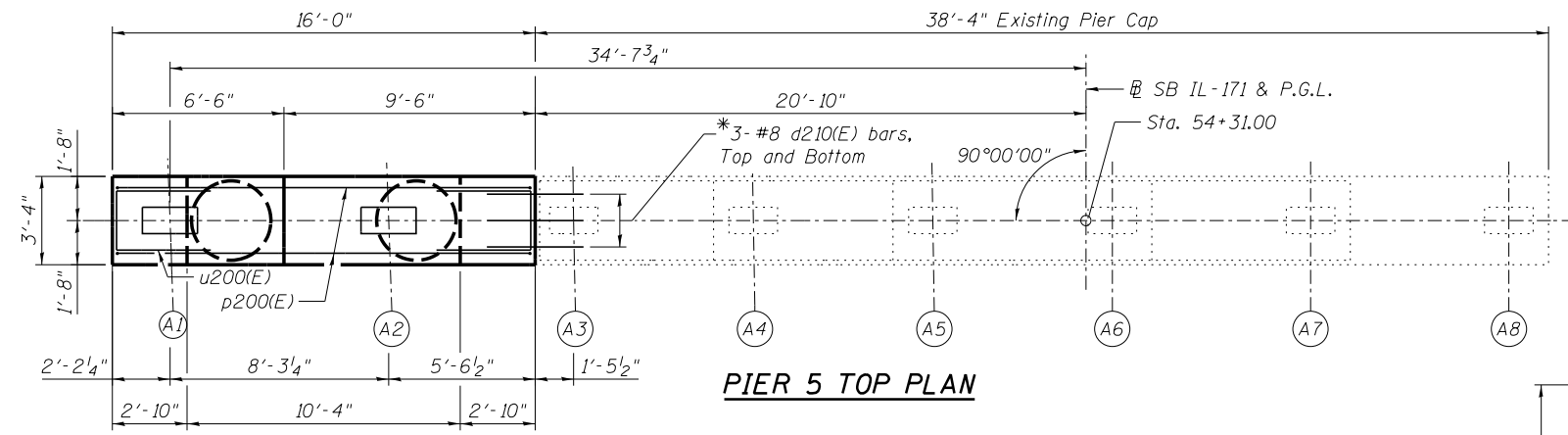
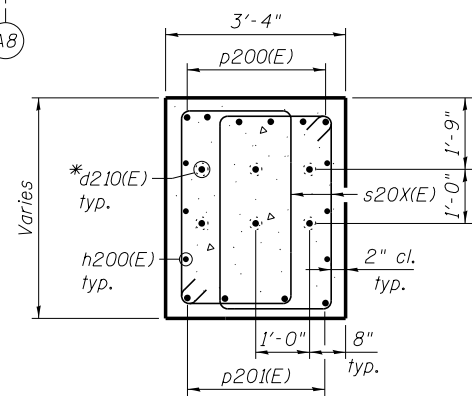


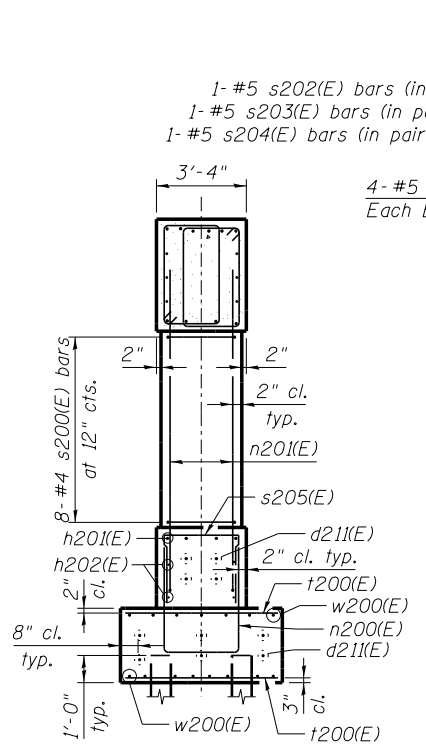
SECTION A-A



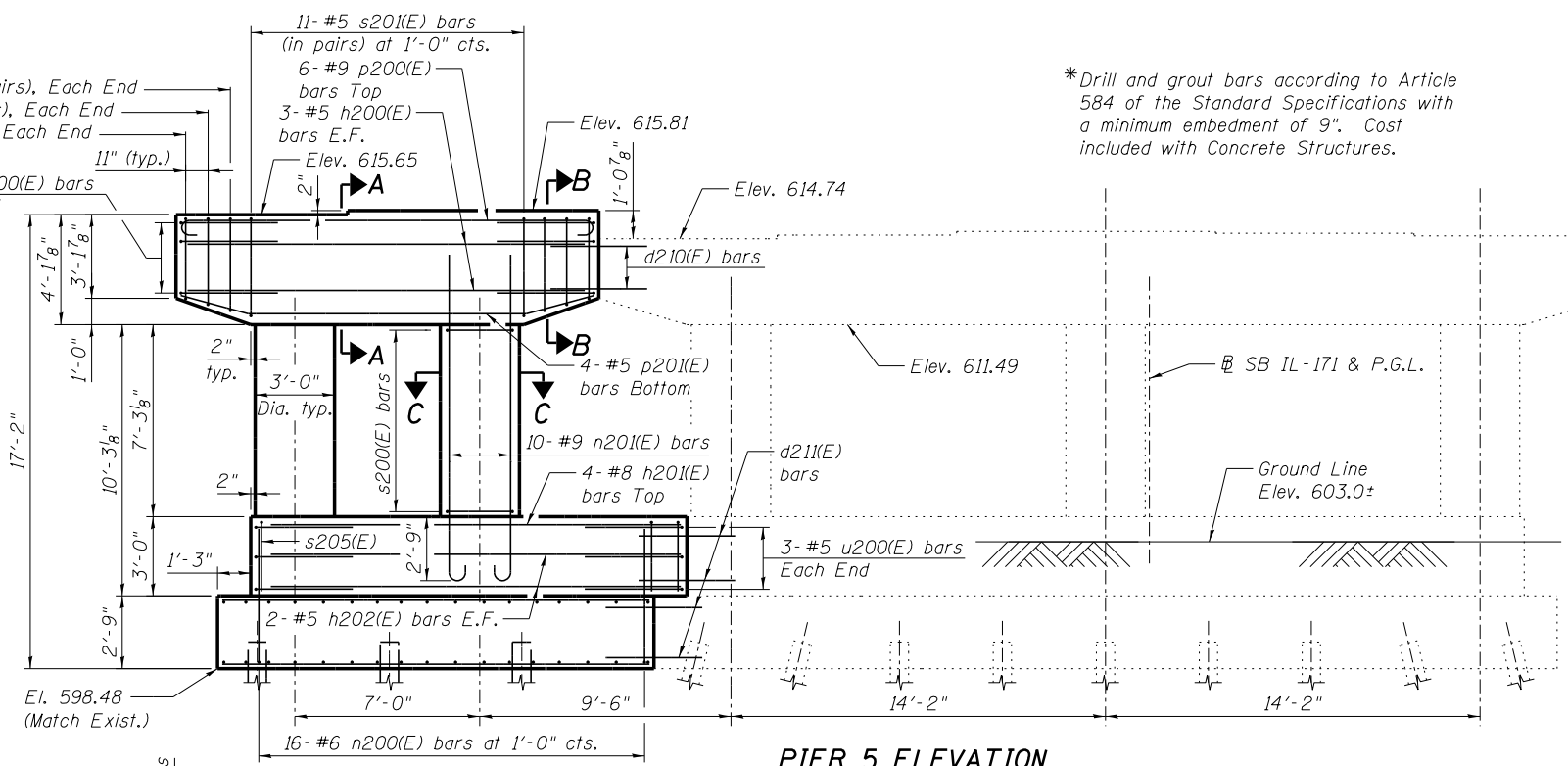
PIER 5 TOP PLAN



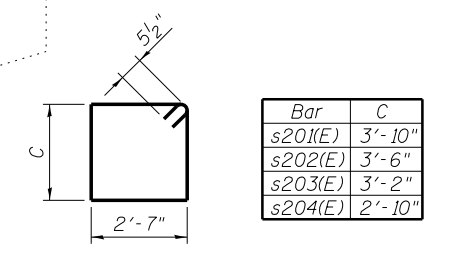
SECTION B-B



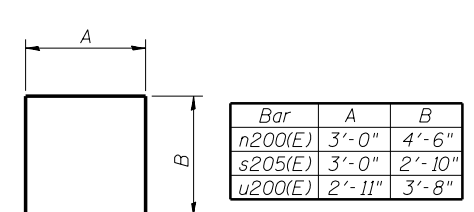
END VIEW



**PIER 5 ELEVATION
(Looking Upstation)**



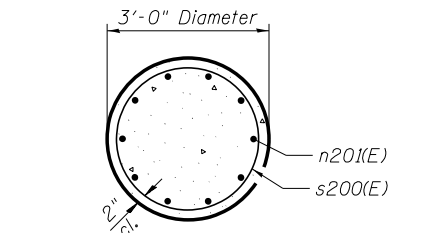
s201(E) THRU s204(E) BARS



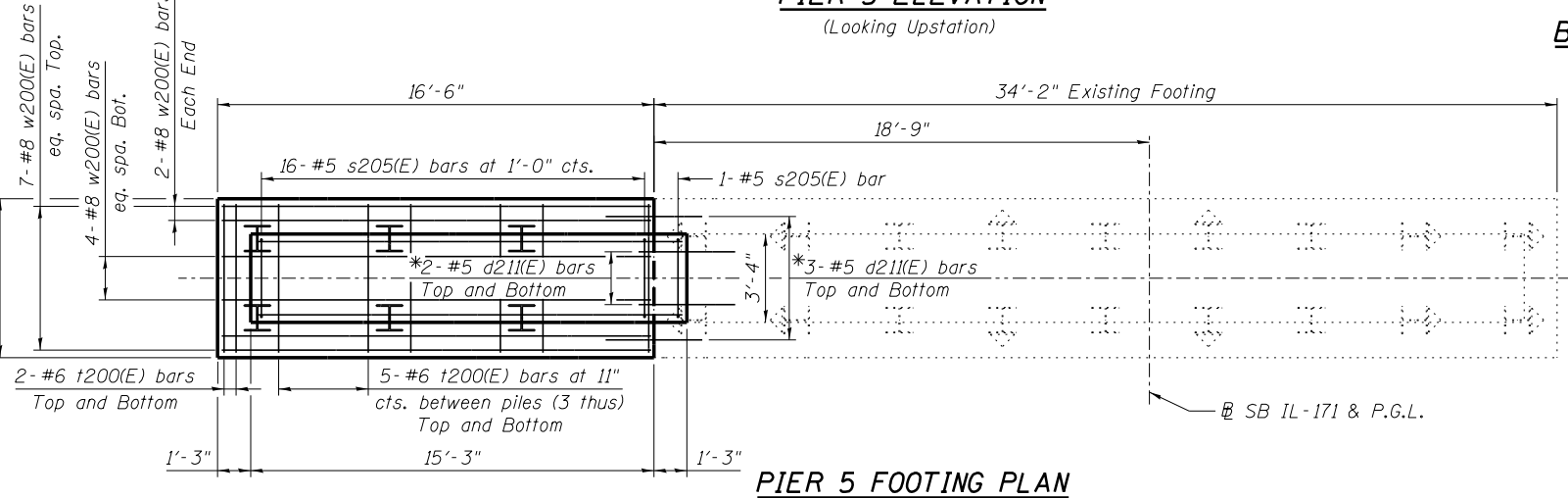
BARS n200(E), s205(E) AND u200(E)

BILL OF MATERIAL

Bar	No.	Size	Length	Shape
d210(E)	6	#8	7'-0"	—
d211(E)	10	#5	4'-0"	—
h200(E)	6	#5	15'-8"	—
h201(E)	4	#8	16'-2"	—
h202(E)	4	#5	16'-2"	—
n200(E)	16	#6	12'-0"	U
n201(E)	20	#9	14'-3"	U
p200(E)	6	#9	18'-0"	C
p201(E)	4	#5	15'-10"	U
s200(E)	16	#4	11'-0"	O
s201(E)	22	#5	13'-9"	□
s202(E)	4	#5	13'-1"	□
s203(E)	4	#5	12'-5"	□
s204(E)	4	#5	11'-9"	□
s205(E)	17	#5	8'-8"	U
t200(E)	34	#6	5'-8"	—
u200(E)	14	#5	10'-3"	U
w200(E)	15	#8	16'-2"	—
Structure Excavation	Cu. Yd.		37	
Concrete Structures	Cu. Yd.		28.1	
Reinforcement Bars, Epoxy Coated	Pound		4,020	
Furnishing Steel Piles HPI2x53	Foot		115	
Driving Piles	Foot		115	
Test Pile Steel HPI2x53	Each		1	
Pile Shoes	Each		6	



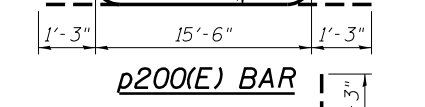
SECTION C-C



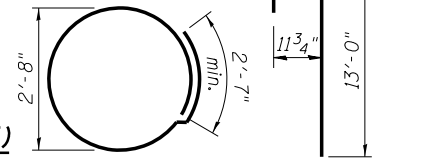
PIER 5 FOOTING PLAN

Bar	A	B
n200(E)	3'-0"	4'-6"
s205(E)	3'-0"	2'-10"
u200(E)	2'-11"	3'-8"

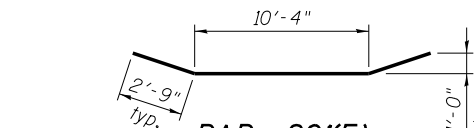
BARS n200(E), s205(E) AND u200(E)



p200(E) BAR



BAR s200(E) BAR n201(E)



BAR p201(E)

PILE DATA
 Type: HPI2x53 with Pile Shoes
 Nominal Required Bearing: 418 kips
 Allowable Resistance Available: 139 kips
 Est. Length: 23 ft.
 No. Production Piles: 5
 No. Test Piles: 1

ANCHOR BOLT DETAIL

Dimension	Girder A1	Girder A2
a	88°29'15"	87°44'22"
b	3/8"	9/16"

- NOTES:**
- Space reinforcement to miss anchor bolts.
 - Pour steps monolithically with cap.
 - For pile spacing and footing layout, see Foundation Layout on Sheet SD5.

benesch
 engineers · scientists · planners
 Alfred Benesch & Company
 205 North Michigan Avenue, Suite 2400
 Chicago, Illinois 60601
 312-565-0450 Job No. 10093

FILE NAME =	USER NAME =	DESIGNED -	REVISIONS -
0162457.60J16.078.Pier.5.Widening.Details	ksnyder	JLS	
		AJK	
		KMS	
		AJK	

**STATE OF ILLINOIS
 DEPARTMENT OF TRANSPORTATION**

**PIER 5 WIDENING DETAILS
 STRUCTURE NO. 016-2457**

F.A.P. RTE.	SECTION	COUNTY	TOTAL SHEETS	SHEET NO.
372	2013-038B-R	COOK	821	453

CONTRACT NO. 60J16

SHEET NO. SD78 OF SD83 SHEETS

ILLINOIS FED. AID PROJECT

Y:\chicago\100005\100093\Eng_Docs\Phase_1\15N_016-2456-2457-1st_Ave_over_Plaines_River_Valley\Final\0162457_Pier_5.Widening-Detail.dwg 3/5/2014 8/6/2014