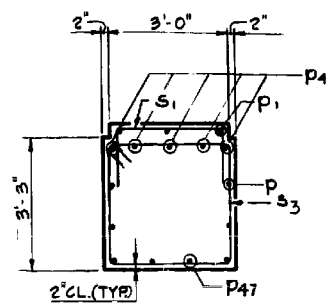
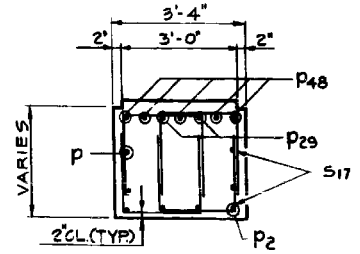


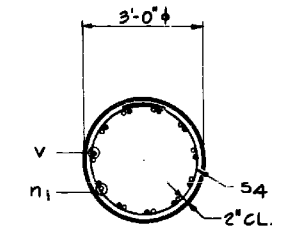
PLAN
SCALE: 1/4"=1'-0"



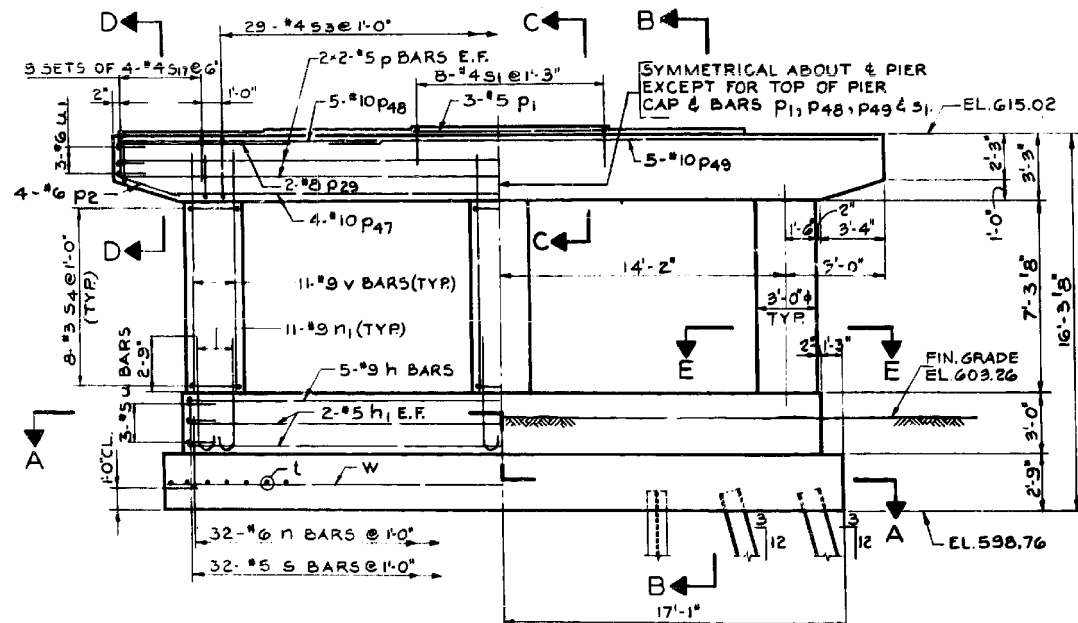
SECTION C-C
SCALE: 1/2"=1'-0"



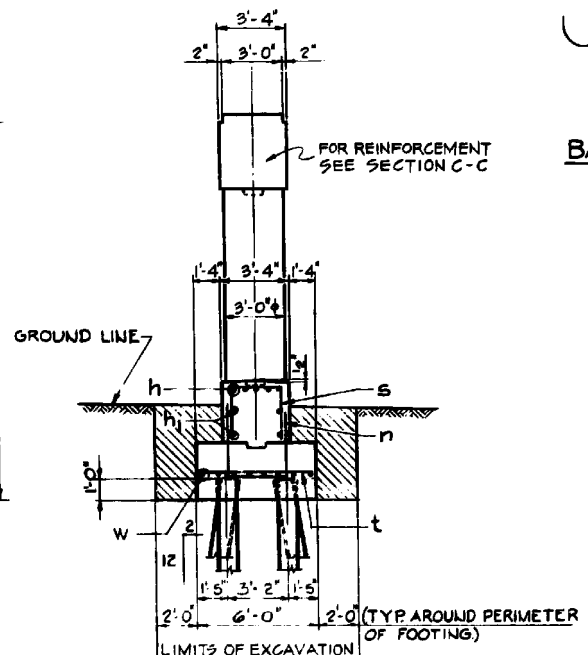
SECTION D-D
SCALE: 1/2"=1'-0"



SECTION E-E
SCALE: 1/2"=1'-0"



ELEVATION
SCALE: 1/4"=1'-0"



SECTION B-B
SCALE: 1/4"=1'-0"

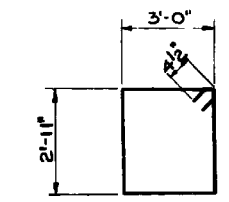
BAR	A	B
n	3'-3"	3'-0"
s	2'-10"	3'-0"
s1	1'-6"	2'-8"
s17	1'-11"	2'-1"
u	1'-6"	2'-11"
u1	1'-6"	2'-11"

BAR n1

BARS n, s, s1, s17, u & u1



BAR 54



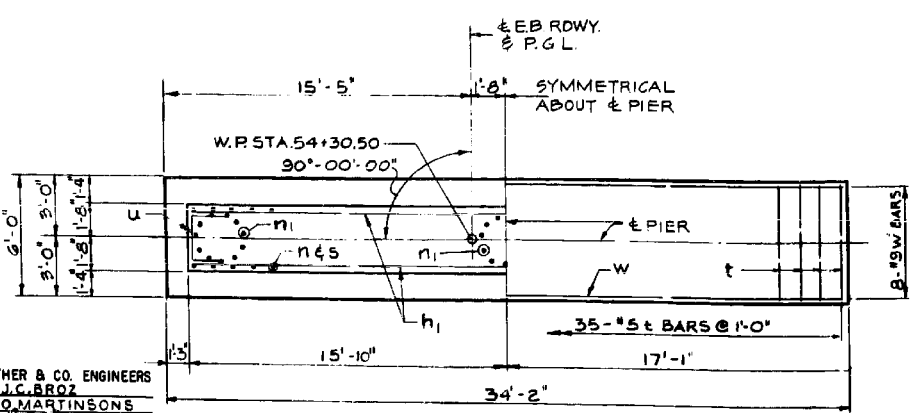
BAR 53

PILE DATA	
PILE TYPE	12BP53
MIN. CAPACITY TONS	32
NO. REQUIRED	18 #
EST. LENGTH FEET	16
CUT OFF ELEVATION	599.76

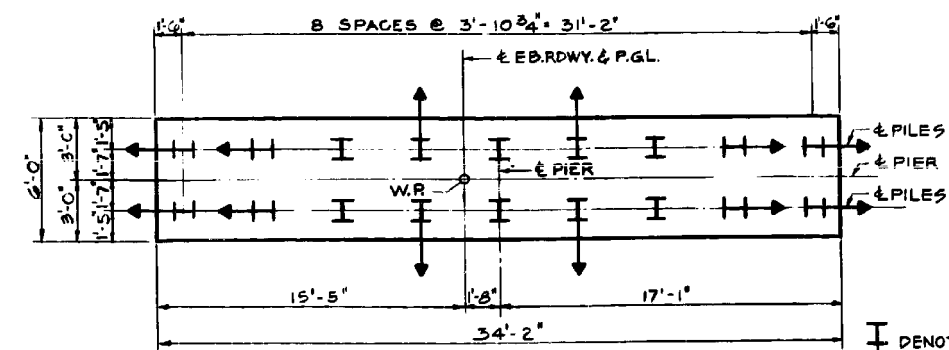
PILE DATA
* INCLUDES 1 TEST PILE.

NOTES:

ALL BAR DIMENSIONS ARE OUT TO OUT. PREFIX ALL BAR MARKS FOR SHIPMENT WITH A NUMBER INDICATING THE PIER WHERE THE BARS WILL BE USED. EXAMPLE: 5h MEANS BARS h FOR PIER 5. FOR ANCHOR BOLT PROJECTION SEE 5h.76 POUR STEPS JOINTLICHALLY WITH PIER CAP. SPACE REINFORCEMENT IN CAP TO MISS ANCHOR BOLTS.



SECTION A-A
SCALE: 1/4"=1'-0"



PILE PLAN
SCALE: 1/4"=1'-0"

BILL OF MATERIAL	
ITEM	UNIT QUANTITY
CLASS A EXCAVATION FOR STRUCTURE	CUYD 63
CLASS X CONCRETE	CUYD 53.9
REINFORCEMENT BARS	POUND 6,911
FURNISHING STEEL PILES 12 BP 53	LIN.FT 272
TEST PILE STEEL 12 BP 53	EACH 1
DRIVING STEEL PILES	LIN.FT 272

ILLINOIS DIVISION OF HIGHWAYS
SOUTHWEST EXPRESSWAY
LAWDALE AVE. VIADUCT
PIER 5
SCALE: AS NOTED DATE 11-25-1969

DE LEUW, CATHER & CO. ENGINEERS
DESIGNED BY J.C. BROZ
DRAWN BY O. MARTINSONS
CHECKED BY E.S. MARTINS
IN CHARGE L.N. RIAN

FILE NAME =	USER NAME = tjenicke	DESIGNED - FSM	REVISED -
0162457.60J16.085.existplan2.dgn	PLOT SCALE =	CHECKED - RMM	REVISED -
	PLOT DATE = 12/28/2013	DRAWN - FSM	REVISED -
		CHECKED - RMM	REVISED -

FOR INFORMATION ONLY

F.A.P. RTE.	SECTION	COUNTY	TOTAL SHEETS	SHEET NO.
372	2013-038B-R	COOK	821	460
CONTRACT NO. 60J16			ILLINOIS FED. AID PROJECT	