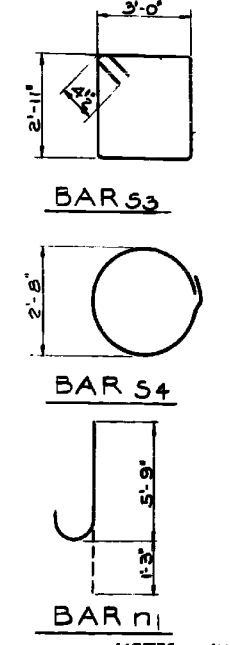
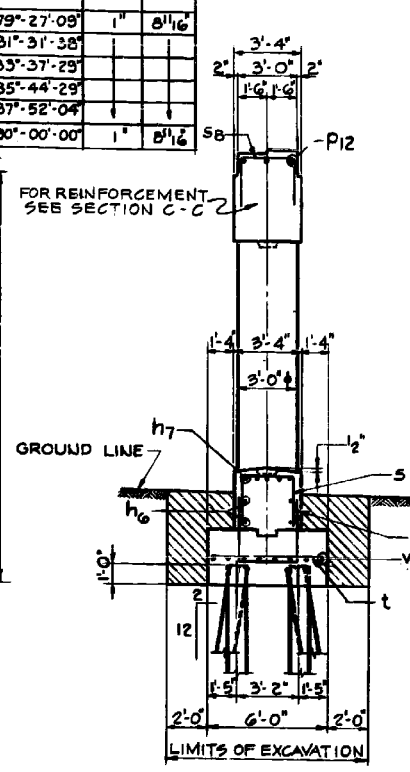
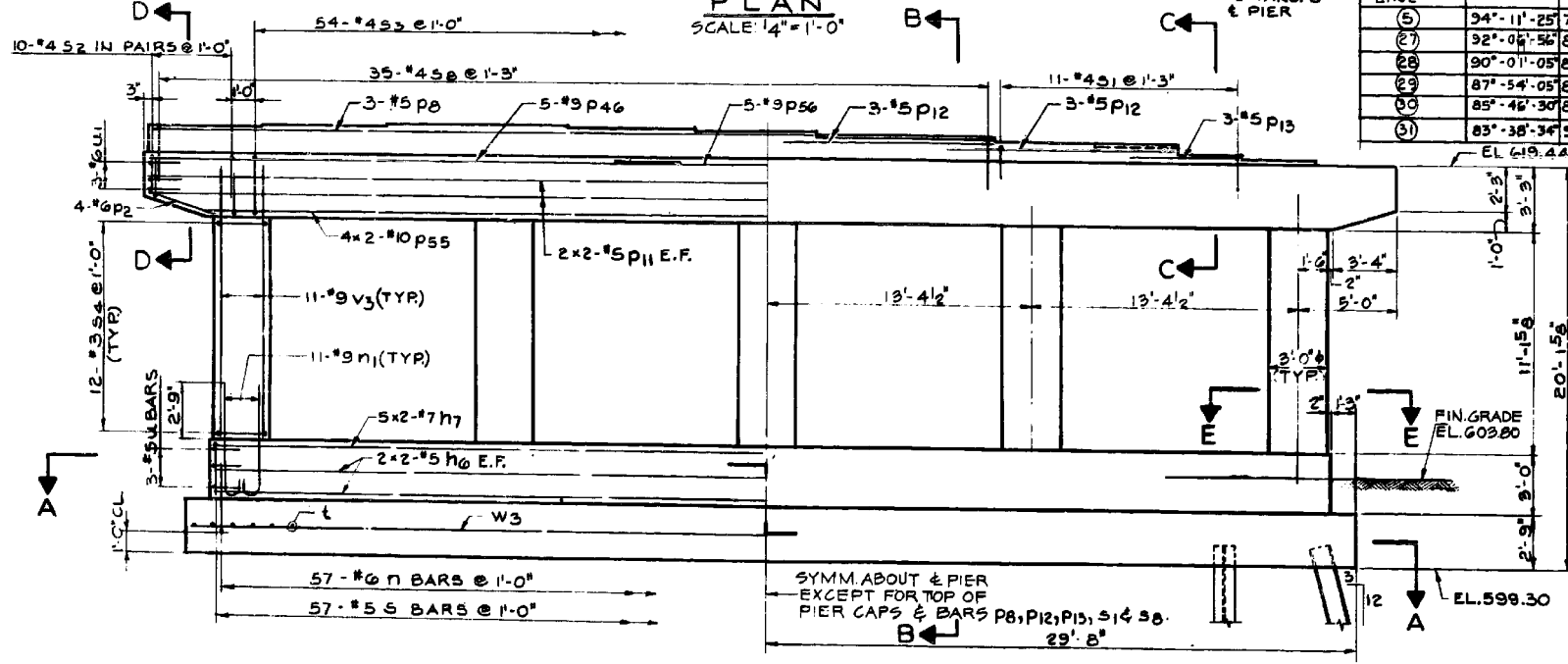
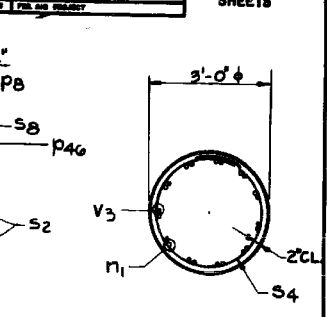
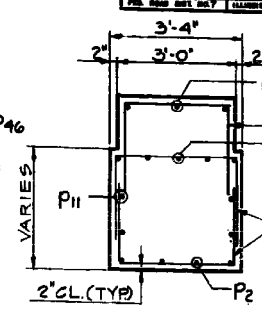
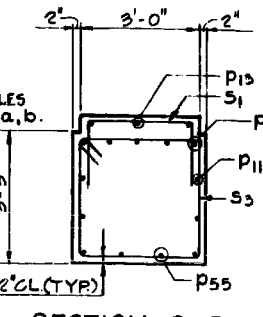


TABLE I

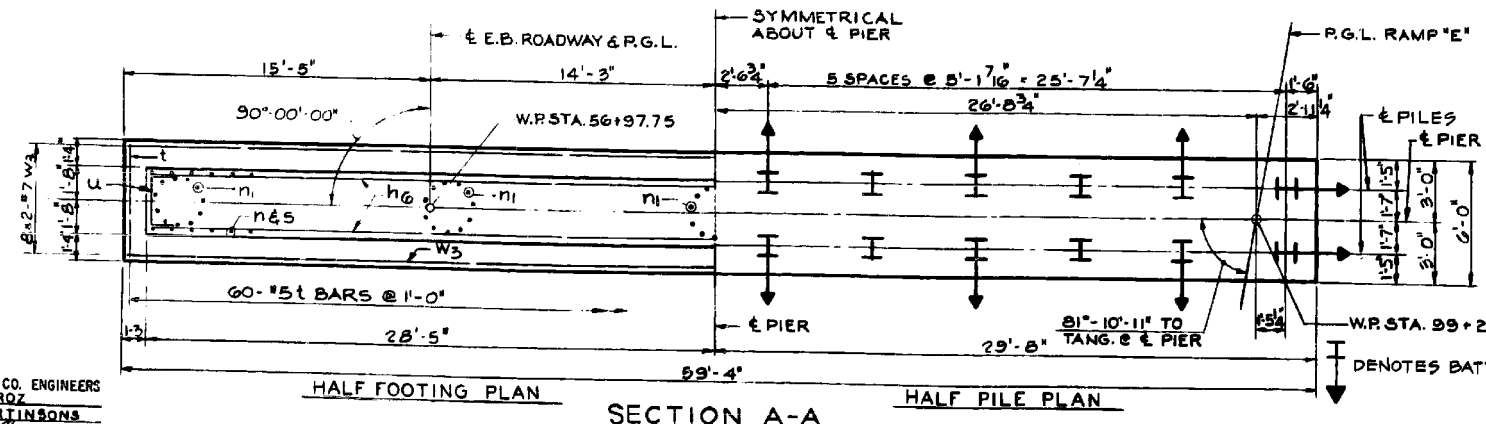
STRINGER LINE	α	β	a	b
(5)	94°-11'-25"	79°-27'-09"	1"	8'1/16"
(7)	92°-08'-56"	81°-31'-38"	1"	8'1/16"
(8)	90°-01'-05"	83°-37'-29"	1"	8'1/16"
(9)	87°-54'-05"	85°-44'-29"	1"	8'1/16"
(3)	85°-48'-30"	87°-52'-04"	1"	8'1/16"



BAR LIST

BAR NO.	SIZE	LENGTH	SHAPE
h6	8	5	29'-0"
h7	10	7	29'-3"
n	57	6	9'-6"
n1	55	9	7'-0"
D2	8	6	5'-6"
D8	3	5	34'-0"
P11	8	5	32'-3"
P12	6	5	10'-0"
P13	3	5	4'-3"
P46	10	9	27'-0"
P55	8	10	29'-9"
P56	5	9	15'-6"
S	57	5	6'-8"
S1	11	4	5'-8"
S2	20	4	6'-0"
S3	54	4	12'-7"
S4	60	3	9'-6"
S8	35	4	7'-0"
t	60	5	5'-6"
u	6	5	5'-11"
u1	6	6	5'-11"
v3	55	9	13'-9"
w3	16	7	30'-6"

NOTES: ALL BAR DIMENSIONS ARE OUT TO OUT. PREFIX ALL BAR MARKS FOR SHIPMENT WITH A NUMBER INDICATING THE PIER WHERE THE BARS WILL BE USED. EXAMPLE: S10 MEANS BARS #6 FOR PIER 10. FOR ANCHOR BOLT PROJECTION SEE SM.77. POUR STEPS MONOLITHICALLY WITH PIER CAP. SPACE REINFORCEMENT IN CAP TO MISS ANCHOR BOLTS.



PILE DATA

PILE TYPE	12 BP53
MIN CAPACITY TONS	33
NO. REQUIRED	24 *
EST. LENGTH FEET	33
CUT OFF ELEVATION	600.30

\* INCLUDES 1 TEST PILE

BILL OF MATERIAL

ITEM	UNIT	QUANTITY
CLASS A EXCAVATION FOR STRUCTURE	CU YD	106
CLASS X CONCRETE	CU YD	104.6
REINFORCEMENT BARS	POUND	11,145
FURNISHING STEEL PILES 12 BP53	LIN FT	759
TEST PILE STEEL 12 BP53	EACH	1
DRIVING STEEL PILES	LIN FT	759

BARS

BAR	A	B
n	3'-3"	3'-0"
S	2'-10"	3'-0"
S1	1'-6"	2'-8"
S2	1'-11"	3'-0"
S8	2'-2"	2'-8"
u	1'-6"	2'-11"
u1	1'-6"	2'-11"

ILLINOIS DIVISION OF HIGHWAYS  
 SOUTHWEST EXPRESSWAY  
 LAWNDALE AVE. VIADUCT  
 PIER 8  
 SCALE: AS NOTED DATE: 11-25-1965

DE LEUW, CATHY & CO. ENGINEERS  
 DESIGNED BY J.C. BROZ  
 DRAWN BY O. MARTINSONS  
 CHECKED F.E. MARTINS  
 IN CHARGE F.S. MARTINS  
 APPROVED L.N. RIAN

**benesch**  
 engineers - scientists - planners  
 Alfred Benesch & Company  
 205 North Michigan Avenue, Suite 2400  
 Chicago, Illinois 60601  
 312-565-0450 Job No. 10093

FILE NAME	USER NAME	DESIGNED	CHECKED	PLOT SCALE	PLOT DATE	DESIGNED	CHECKED	REVISIONS
0162457.60J16.088.existplan5.dgn	tjenicke	FSM	RMM		12/28/2013	FSM	RMM	

STATE OF ILLINOIS  
 DEPARTMENT OF TRANSPORTATION

EXISTING PLAN INFORMATION (5 OF 26)  
 STRUCTURE NO. 016-2457  
 SHEET NO. SDX5 OF SDX26 SHEETS

FOR INFORMATION ONLY

F.A.P. RTE.	SECTION	COUNTY	TOTAL SHEETS	SHEET NO.
372	2013-038B-R	COOK	821	463

CONTRACT NO. 60J16  
 ILLINOIS FED. AID PROJECT

X:\1000005\10093\Eng\_Docs\_Phase\_1\11\SN\_016\_2456\_2457\_1st\_Ave\_cover\_Des\_Planes\_River\_Valley\Final\10162457\_60J16\_088.existplan5.dgn 2/4/17 PM 6/23/2014