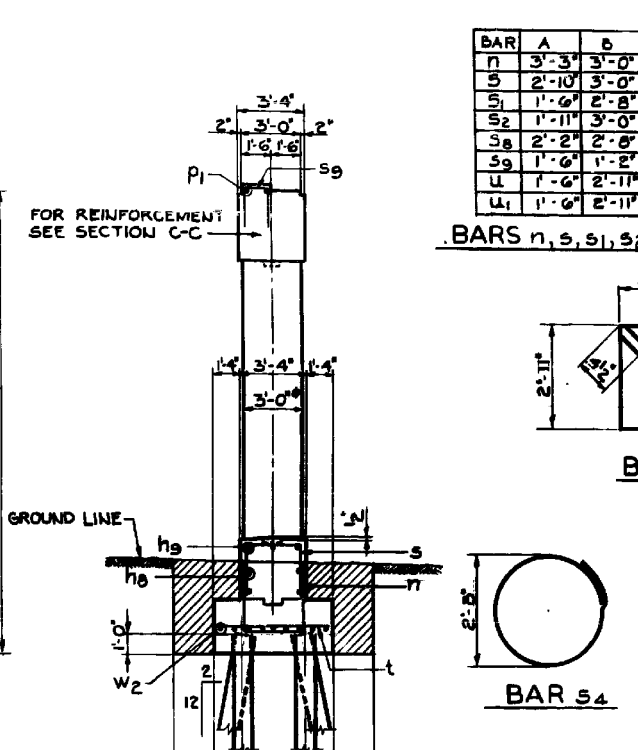
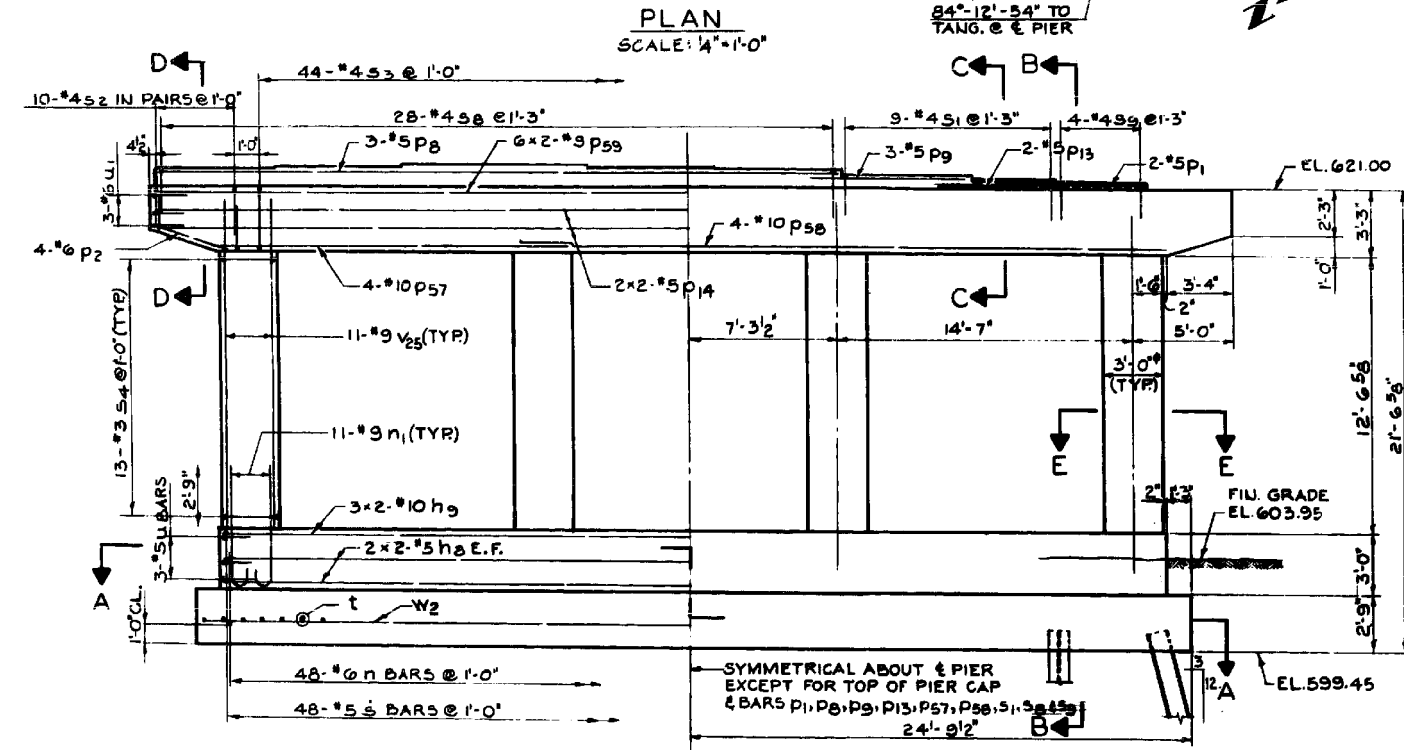
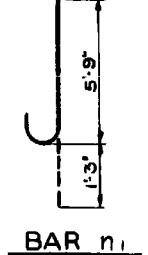
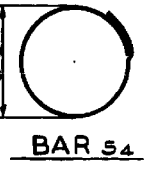
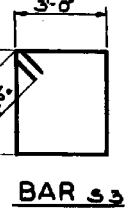


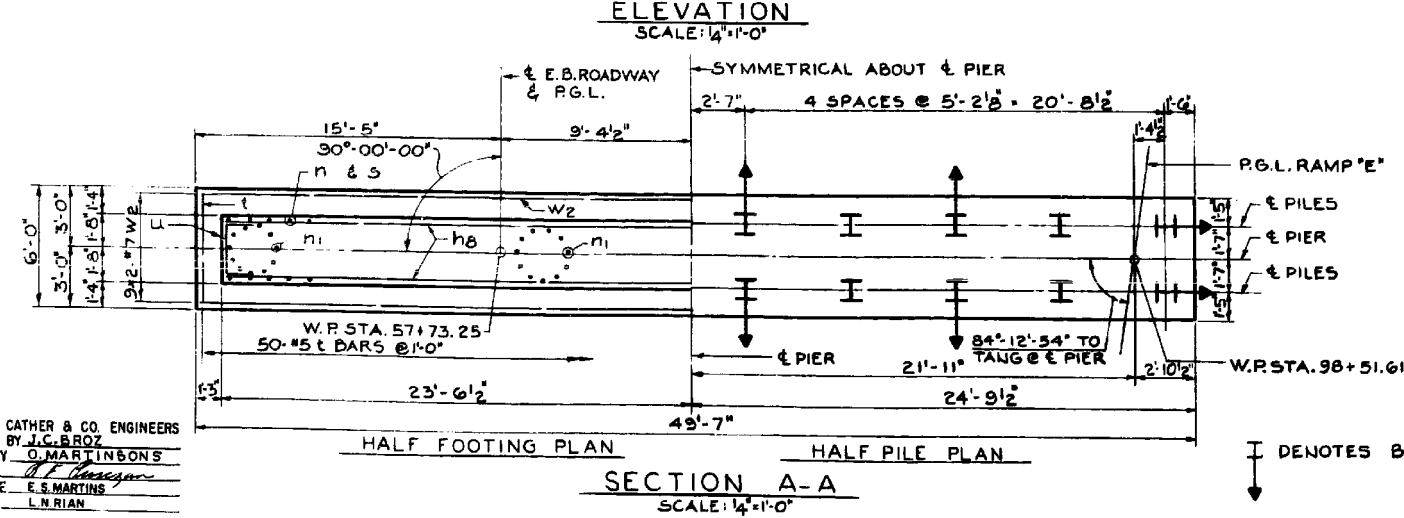
BAR NO	SIZE	LENGTH	SHAPE
h ₈	8	5	24'-0"
h ₉	6	10	24'-9"
n	48	6	8'-6"
n ₁	44	9	7'-0"
p ₁	2	5	9'-3"
p ₂	8	6	3'-6"
p ₈	3	5	34'-0"
p ₉	3	5	7'-3"
p ₁₃	2	5	4'-3"
p ₁₄	8	5	27'-3"
p ₅₇	4	10	17'-6"
p ₅₈	4	10	32'-0"
p ₅₉	12	9	28'-0"
s	48	5	8'-8"
s ₁	9	4	5'-8"
s ₂	20	4	6'-10"
s ₃	44	4	12'-7"
s ₄	52	3	9'-6"
s ₈	28	4	7'-0"
s ₉	4	4	4'-2"
t	50	5	5'-6"
u	6	5	5'-11"
u ₁	6	6	5'-11"
v ₂₅	44	9	15'-3"
w ₂	18	7	25'-6"



BAR	A	B
n	3'-3"	3'-0"
s	2'-10"	3'-0"
s ₁	1'-6"	2'-8"
s ₂	1'-11"	3'-0"
s ₃	2'-2"	2'-8"
s ₉	1'-6"	1'-2"
u	1'-6"	2'-11"
u ₁	1'-6"	2'-11"



NOTES:
 ALL BAR DIMENSIONS ARE OUT TO OUT. PREFIX ALL BAR MARKS FOR SHIPMENT WITH A NUMBER INDICATING THE PIER WHERE THE BARS WILL BE USED.
 EXAMPLE: 9 h₈ MEANS BARS h₈ FOR PIER 9 FOR ANCHOR BOLT PROTECTION SEE SM.77. POUR STEPS MONOLITHICALLY WITH PIER CAP.
 SPACE REINFORCEMENT IN CAP TO MISS ANCHOR BOLTS.



PILE TYPE	12 BP53
MIN. CAPACITY TONS	32
NO. REQUIRED	20 #
EST. LENGTH FEET	48
CUT OFF ELEV.	600.45

*INCLUDES 2 TEST PILES

ITEM	UNIT	QUANTITY
CLASS A EXCAVATION FOR STRUCTURES	CU YD	89
CLASS X CONCRETE	CU YD	86.1
REINFORCEMENT BARS	POUND	9,846
FURNISHING STEEL PILES 12 BP53	LIN FT	864
TEST PILE STEEL 12 BP53	EACH	2
DRIVING STEEL PILES	LIN FT	864

ILLINOIS DIVISION OF HIGHWAYS
 SOUTHWEST EXPRESSWAY
 LAWDALE AVE. VIADUCT
 PIER 9
 SCALE: AS NOTED DATE: 11-25-1969

DE LEUW, CATHAR & CO. ENGINEERS
 DESIGNED BY J.C. BROZ
 DRAWN BY G. MARTINSON'S
 CHECKED BY [Signature]
 IN CHARGE E.S. MARTINS
 APPROVED L.N. RIAN

FILE NAME	USER NAME	DESIGNED	CHECKED	PLLOT SCALE	PLLOT DATE	DESIGNED	CHECKED	REVISIONS
0162457.60J16.089.existplan6.dgn	tjenicke	FSM	RMM		12/28/2013	FSM	RMM	

F.A.P. RTE.	SECTION	COUNTY	TOTAL SHEETS	SHEET NO.
372	2013-0388-R	COOK	821	464

CONTRACT NO. 60J16
 ILLINOIS FED. AID PROJECT

X:\100005\10093\Eng_Docs_Phase_1\11\SN_016_2456_2457_1st.Ave.cover_Des.Plaines_River_Volley\Final\2457_Final\0162457_60J16_089_existplan6.dgn 2:41:48 PM 6/23/2014