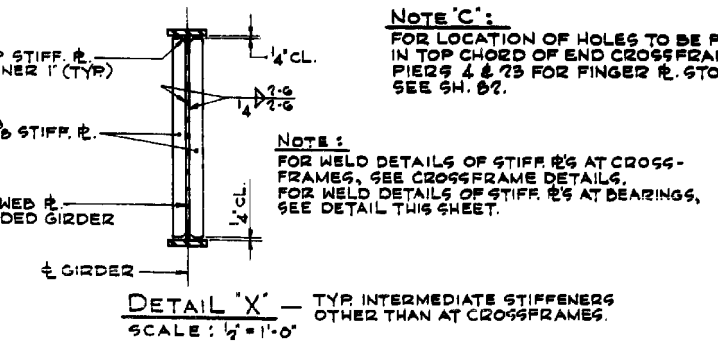
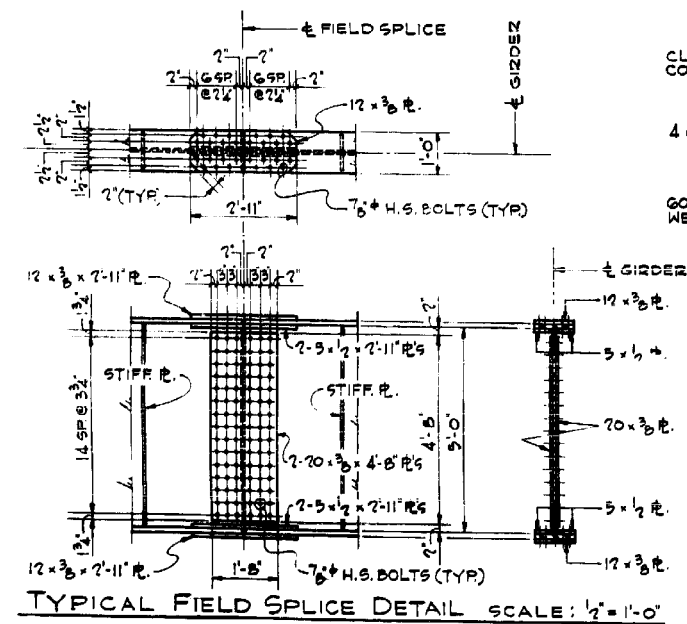


**TABLE III**  
DIMENSIONS (GIVEN ALONG GIRDERS)

STRINGER LINE	FP-1	FP-2	FP-3	FP-4	'A'	'B'	'C'	'D'	'E'	'F'	'G'	'H'	'J'	'K'	'L'	'M'	'N'	'P'	'R'
12	12x3/4	12x1	12x1 1/2	12x1	27'-10 1/2"	8'-8 1/2"	10'-6 1/2"	7'-8 1/2"	9'-2 1/2"	7'-6"	5'-0"	8'-6"	6'-6"	23'-6 1/2"	20'-10 1/2"	22'-0 1/2"	21'-0 1/2"	21'-5 1/2"	78'-8 1/2"
13					27'-8 1/2"	8'-7 1/2"	10'-4 1/2"	7'-7 1/2"	9'-2 1/2"					23'-6 1/2"	20'-10 1/2"	22'-0 1/2"	21'-0 1/2"	21'-5 1/2"	78'-7 1/2"
14					27'-6 1/2"	8'-7 1/2"	10'-4 1/2"	7'-7 1/2"	9'-2 1/2"					23'-6 1/2"	20'-10 1/2"	22'-0 1/2"	21'-0 1/2"	21'-5 1/2"	78'-7 1/2"
15	12x3/4	12x1	12x1 1/2	12x1	27'-6 1/2"	8'-7 1/2"	10'-4 1/2"	7'-7 1/2"	9'-2 1/2"	7'-6"	5'-0"	8'-6"	6'-6"	23'-6 1/2"	20'-10 1/2"	22'-0 1/2"	21'-0 1/2"	21'-5 1/2"	78'-7 1/2"
16 & 17	12x3/4	12x1	12x1 1/2	12x1 1/2	27'-6 1/2"	8'-7 1/2"	10'-4 1/2"	7'-7 1/2"	9'-2 1/2"	7'-3"	7'-3"	7'-3"	7'-3"	23'-6 1/2"	20'-10 1/2"	22'-0 1/2"	21'-0 1/2"	21'-5 1/2"	77'-10 1/2"
18 THRU 22	12x3/4	12x1	12x1 1/2	12x1 1/2	27'-6 1/2"	8'-7 1/2"	10'-4 1/2"	7'-7 1/2"	9'-2 1/2"	8'-0"	8'-0"	8'-0"	8'-0"	23'-6 1/2"	20'-10 1/2"	22'-0 1/2"	21'-0 1/2"	21'-5 1/2"	77'-11 1/2"



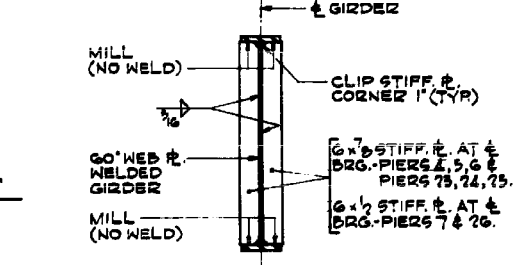
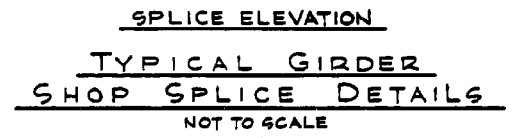
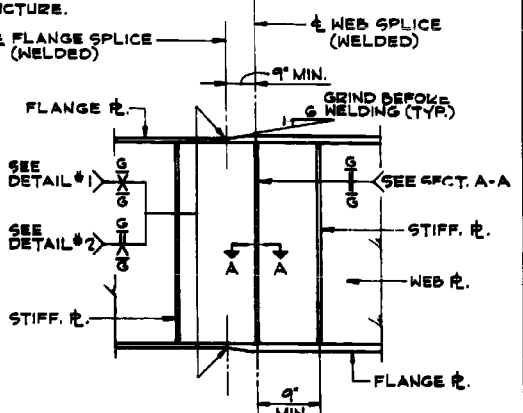
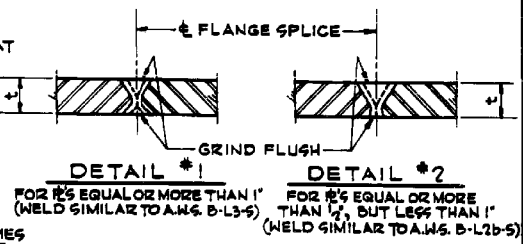
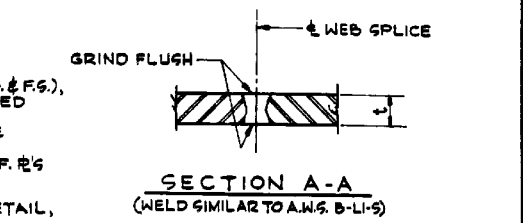
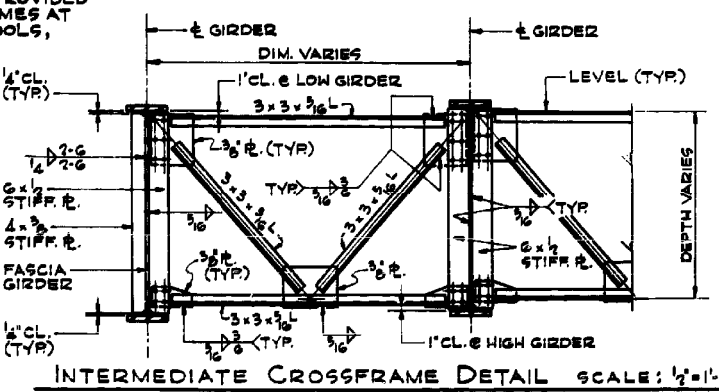
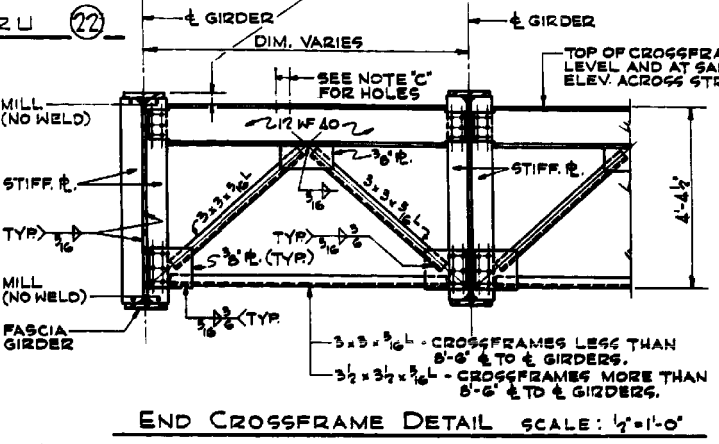
**TABLE OF MOMENTS AND REACTIONS**  
UNIT 'A' - INTERIOR COMPOSITE BEAMS

	MAX. * MOMENTS	MAX. * REACTIONS	PROPERTIES
D.L.	544	27	STEEL SECTION
S.D.L.	170	7	I <sub>s</sub> 11931
L.L.	602	34	S <sub>75</sub> 581
IMP.	149	8	S <sub>86</sub> 739
TOTAL	1415	76	COMPOSITE SECTION
			I <sub>c</sub> 26321
			I <sub>tc</sub> 2749
			I <sub>sc</sub> 971

\* MOMENTS ARE IN FT. - KIPS  
REACTIONS ARE IN KIPS.  
FOR MEANING OF SYMBOLS USED IN TABLE SEE LEGEND, SH. 70.

**TABLE OF MOMENTS AND REACTIONS - UNIT 'A' - 3 SPAN CONTINUOUS INTERIOR GIRDERS**

STRINGER LINE	MOMENTS *				REACTIONS *				
	4 SPAN 4-5	PIER 5	5 SPAN 5-6	PIER 6	6 SPAN 6-7	PIER 4	PIER 5	PIER 6	PIER 7
DEAD LOAD	404	-881	467	-1044	565	77	100	116	36
LIVE LOAD	565	-632	690	-754	800	35	67	73	49
IMPACT	133	-146	152	-172	193	8	14	16	12
TOTAL	1104	-1659	1309	-1970	1556	70	176	203	97
DEAD LOAD	484	-991	485	-991	484	32	110	110	32
LIVE LOAD	681	-707	680	-707	681	42	67	67	42
IMPACT	164	-184	149	-183	164	10	16	16	10
TOTAL	1329	-1862	1287	-1861	1329	84	193	193	84



ILLINOIS DIVISION OF HIGHWAYS  
SOUTHWEST EXPRESSWAY  
**LAWDALE AVE. VIADUCT**  
GIRDER & CROSS FRAME DETAILS  
UNITS 'A' & 'B' - MAINLINE  
SCALE: AS NOTED DATE: 11-25-03