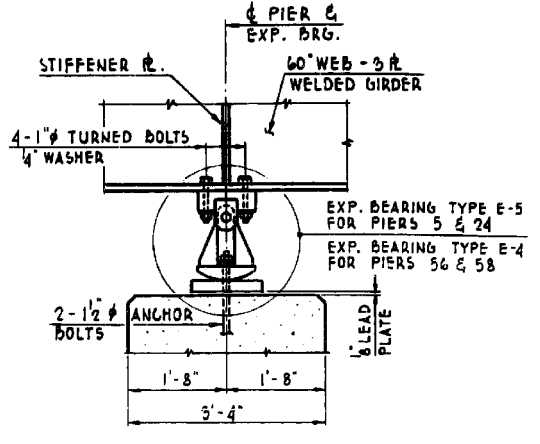
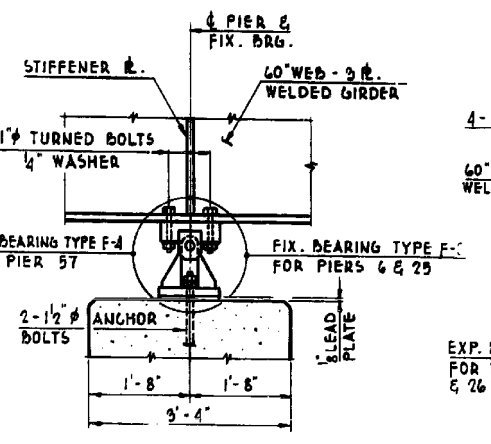


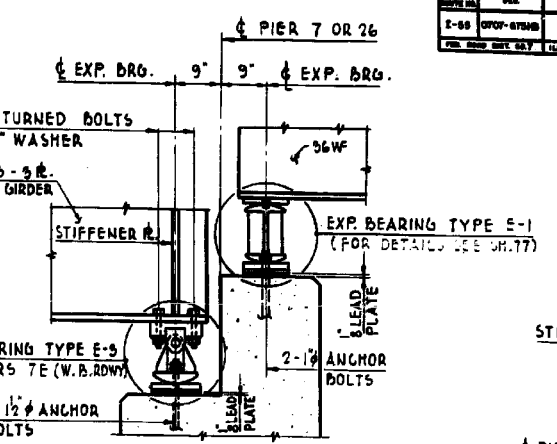
BRG. TYPE E-3 AT PIERS 4W, 23W & 55N
 SCALE: 3/4" = 1'-0"



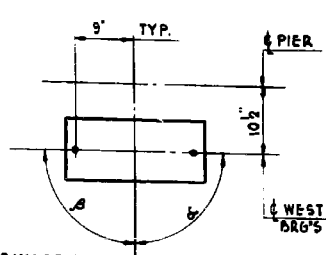
BRG. TYPE E-4 & E-5 AT PIERS 5, 24, 56 & 58



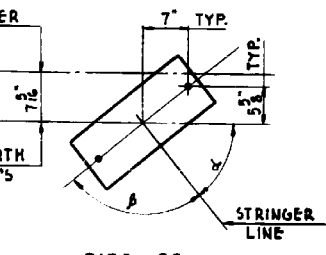
BRG. TYPE F-3 & F-4 AT PIERS 6, 25 & 57



BRG. TYPE E-3 AT PIERS 7E (W.B.RDWY) & 26E

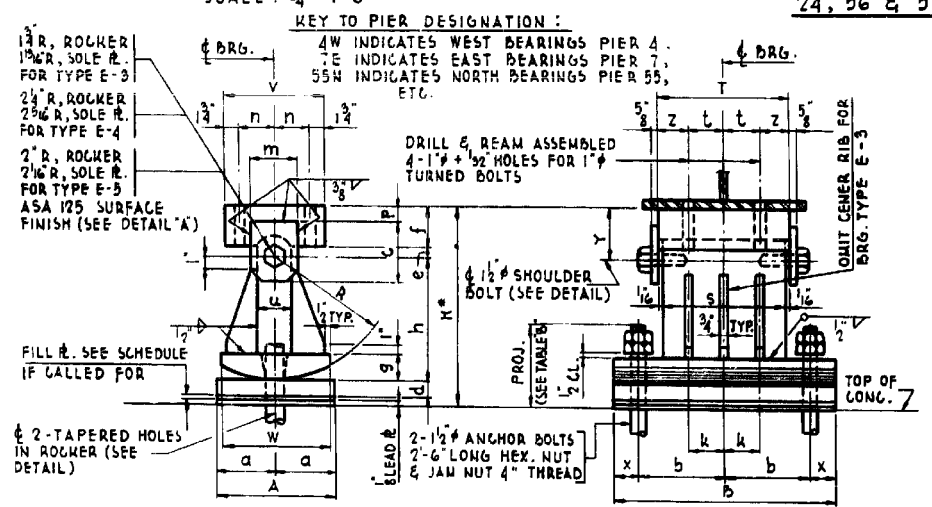


PIERS 4 & 23



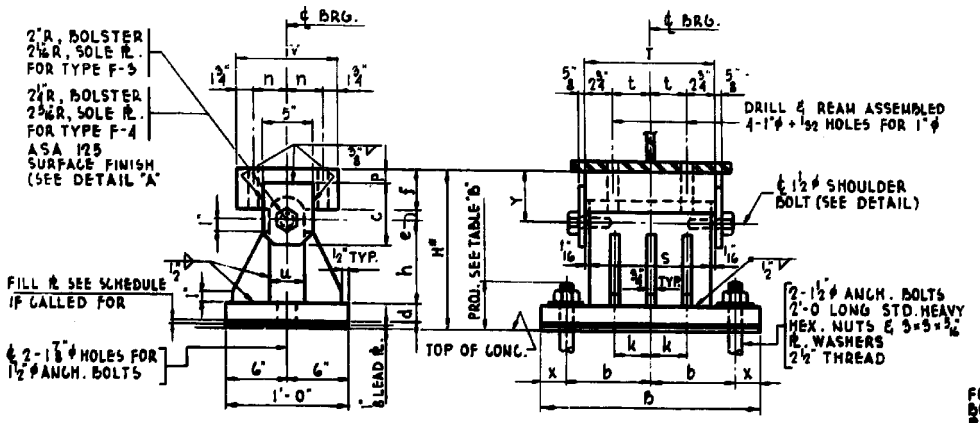
PIER 55

PIER	STRINGER LINE	ANGLE α	ANGLE β
4	12	87° 44'-25"	92° 15'-55"
	13	88° 29'-35"	91° 30'-25"
	14	89° 14'-41"	90° 45'-15"
23	15 TO 17	90° 00'-00"	90° 00'-00"
	18 TO 22	90° 00'-00"	90° 00'-00"
55	23 TO 26	51° 16'-58"	90° 00'-00"



FILL PLATE SCHEDULE

BEARING TYPE	PIER	STRINGER LINE	THICKNESS
E-3	4W	12	1/2"
		13	3/8"
		14	3/8"
		15	3/8"
		16	1/2"
E-3	7E	14	1/2"
		19, 21	1 1/8"
E-3	55N	23, 24	3/8"
		25, 26	3/8"
E-3	5	15	3/8"
		16	3/8"
F-3	6	14	3/8"
		15	3/8"



BOLSTER DETAIL OF FIXED BRG. TYPE F-3 & F-4

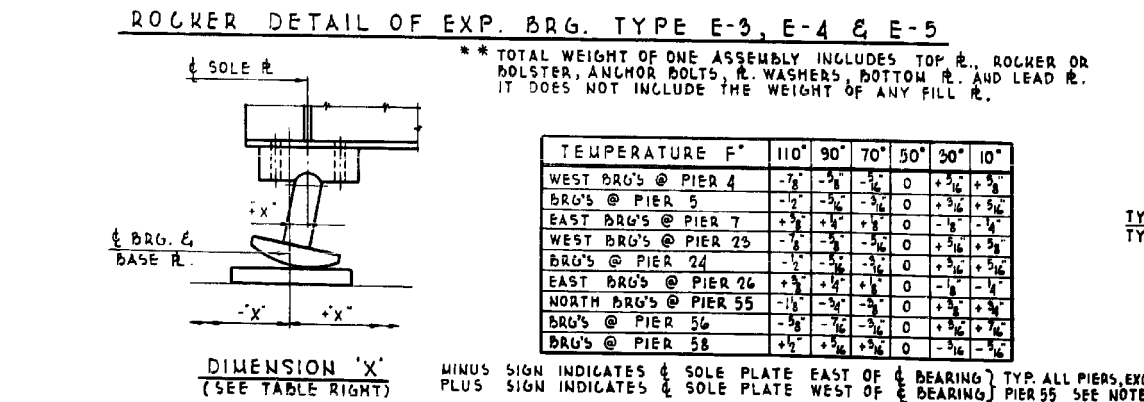
BRG. TYPE	NO. REQ'D	b	c	d	e	f	h*	h	k	n	p	s	t	u	v	x	y	TOTAL WEIGHT POUNDS		
F-3	11	1'-10"	8 1/2"	6"	1 1/2"	1"	3 1/2"	1'-2 1/2"	8"	3 1/2"	3 1/2"	1"	1 1/2"	1'-0"	3 1/2"	3 1/2"	10"	2 1/2"	4 1/2"	489
F-4	4	2'-2"	11"	4 1/2"	2 1/2"	1"	4"	1'-3 1/2"	8"	4"	3 1/2"	1 1/2"	1'-2"	4 1/2"	4"	11"	2"	5"	790	

* DOES NOT INCLUDE FILL PLATES

ROCKER SETTING DIAGRAM

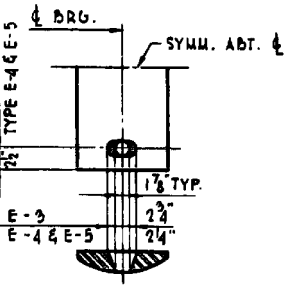
BRG. TYPE	NO. REQ'D	A	a	b	c	d	e	f	g	h*	h	k	m	n	p	r	s	t	u	v	w	x	y	z	TOTAL WEIGHT POUNDS	
E-3	26	1'-0"	6"	1'-10"	9"	4 1/2"	1 1/2"	3 1/2"	2 1/2"	1'-1 1/2"	8"	3"	4"	3 1/2"	1"	8"	11 1/2"	1'-0"	4 1/2"	3"	10"	9"	2"	3 1/2"	1 1/2"	526
E-4	8	1'-1"	6 1/2"	2'-3"	11"	4 1/2"	2 1/2"	1 1/2"	4"	2 1/2"	1'-7 1/2"	1'-0"	4"	5"	3 1/2"	2"	1'-0"	1'-1 1/2"	1'-2"	5"	4"	11"	1'-0"	2 1/2"	5 1/2"	947
E-5	11	1'-0"	6"	1'-10"	8 1/2"	4 1/2"	2 1/2"	3 1/2"	2 1/2"	1'-6 1/2"	1'-0"	3 1/2"	5"	3 1/2"	1"	1'-0"	11 1/2"	1'-0"	3 1/2"	3 1/2"	10"	10"	2 1/2"	4 1/2"	2 1/2"	714

* DOES NOT INCLUDE FILL PLATES



TEMPERATURE F°

	110°	90°	70°	50°	30°	10°
WEST BRG'S @ PIER 4	- 1/2"	- 3/8"	- 3/8"	0	+ 3/8"	+ 3/8"
BRG'S @ PIER 5	- 1/2"	- 3/8"	- 3/8"	0	+ 3/8"	+ 3/8"
EAST BRG'S @ PIER 7	+ 1/2"	+ 3/8"	+ 3/8"	0	- 3/8"	- 3/8"
WEST BRG'S @ PIER 23	- 1/2"	- 3/8"	- 3/8"	0	+ 3/8"	+ 3/8"
BRG'S @ PIER 24	- 1/2"	- 3/8"	- 3/8"	0	+ 3/8"	+ 3/8"
EAST BRG'S @ PIER 26	+ 1/2"	+ 3/8"	+ 3/8"	0	- 3/8"	- 3/8"
NORTH BRG'S @ PIER 55	- 1/2"	- 3/8"	- 3/8"	0	+ 3/8"	+ 3/8"
BRG'S @ PIER 56	- 1/2"	- 3/8"	- 3/8"	0	+ 3/8"	+ 3/8"
BRG'S @ PIER 58	+ 1/2"	+ 3/8"	+ 3/8"	0	- 3/8"	- 3/8"



DETAIL OF HOLE IN ROCKERS

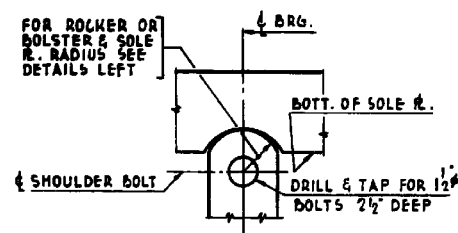
ANCHOR BOLT PROJECTIONS-TABLE 'B'

BRG. TYPE	E-3	E-4	E-5	F-3	F-4
PROJ. FOR FILL R'S 0 TO 1/2'	7 1/2"	8 1/2"	8 1/2"	4"	4 1/2"
PROJ. FOR FILL R'S 3/4 TO 1'	8"	-	-	-	-
PROJ. FOR FILL R'S > 1'	8 1/2"	-	-	-	-

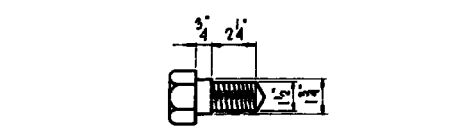
BILL OF MATERIAL

ITEM	UNIT	QUANTITY
FURNISHING & ERECTING 5" STRUCTURAL STEEL	POUND	86,904

WEIGHT OF ALL MATERIAL SHOWN ON THIS SHEET, INCL. FILL R'S



DETAIL - "A" SCALE: 3/4" = 1'-0"



SHOULDER BOLT DETAIL SCALE: 3/4" = 1'-0"

ILLINOIS DIVISION OF HIGHWAYS
 SOUTHWEST EXPRESSWAY
 LAWNDALE AVE. VIADUCT
 BEARING DETAILS
 WELDED GIRDERS

FILE NAME	USER NAME	DESIGNED	CHECKED	REVISIONS
0162457.60J16.108.existplan25.dgn	tjenicke	FSM	RMM	FSM
		REVISIONS	REVISIONS	REVISIONS
		REVISIONS	REVISIONS	REVISIONS
		REVISIONS	REVISIONS	REVISIONS
		REVISIONS	REVISIONS	REVISIONS

X:\100005\10093\Eng_Docs_Phase_11\SN_016_2456_2457_1st_Ave.cover_Des.Plaines_River_Volley\Final\162457-60J16.108.existplan25.dgn 2:42:19 PM 6/23/2014