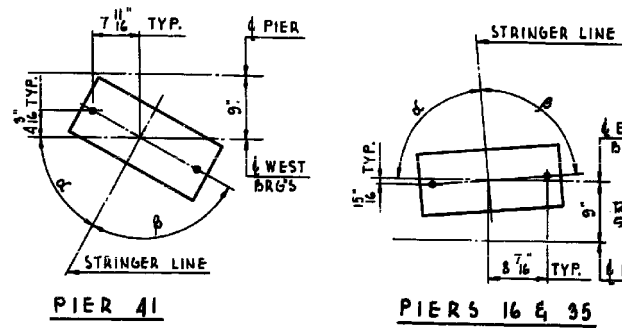
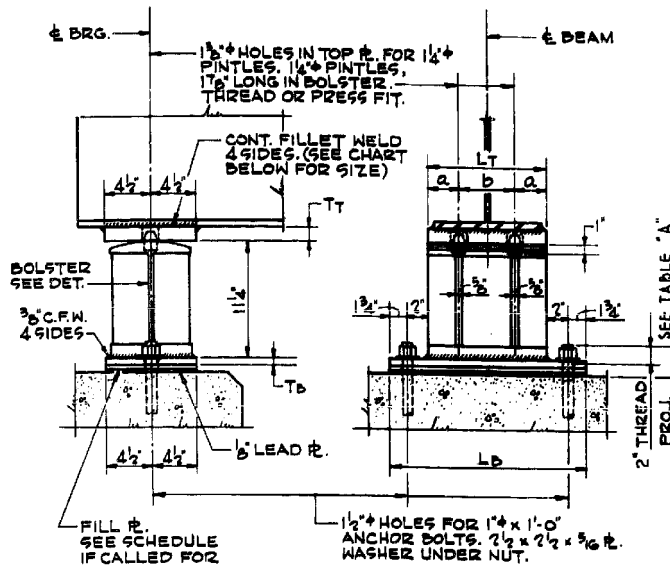
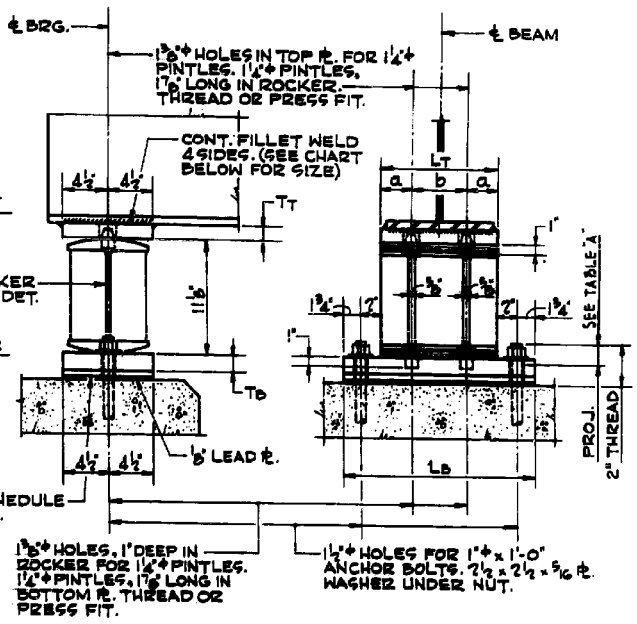


FILL PLATE SCHEDULE							
BEARING TYPE	PIER	STRINGER LINE	THICKNESS	BEARING TYPE	PIER	STRINGER LINE	THICKNESS
E-1	7W	5	15/16"	F-1	8E	5, 95	1/8"
		92	11/16"			28	9/16"
		17	5/16"			30	5/8"
	9E	99	1/8"		8W	99, 94, 96	5/16"
		5, 94, 95, 17	1/2"			99	5/8"
		41	7/16"			97, 17	1/4"
	9W	37	5/8"		10E	41	1/16"
		5	5/8"			94, 96	9/16"
		99	1/8"			95, 17	5/8"
	11W	5	1"		11E	37	1/2"
		59	5/16"			39	7/8"
		59	1/4"			94, 96	9/8"
	16E	19	1/8"		30E	95, 97	7/16"
		20	5/16"			17	1/2"
		29	15/16"			18	1/2"
29W	18	3/16"	39W	49, 50	1/16"		
	51	1/8"		5, 1	5/16"		
	62	1/4"		59 E	25	3/8"	
30W	63	1/2"	41W	29	11/16"		
	26	15/16"		26	5/16"		
	5	3/16"		46	1/2"		
40W	7	15/16"	59W	47	5/8"		
	6	3/4"		48	3/4"		
	1	1/2"		26	1/4"		
E-2	12, 15	59	1/8"	F-2	19	99	1/8"
		59	3/16"			32	62
	14	62	3/16"		32		62
		62	9/16"			63	1/2"
	31	62	1/4"		34	62	1/8"
		63	1/2"			63	1/2"

ANCHOR BOLT PROJECTIONS - TABLE "A"					
BRG. TYPE	E-1	E-2	F-1	F-2	F-5
PROJ. FOR FILL R'S 0" TO 7/16"	3 3/8"	3 3/4"	2 3/4"	3 1/4"	2 3/4"
PROJ. FOR FILL R'S 7/16" TO 1/2"	3 3/8"	4 1/4"	3 1/4"	3 3/4"	—
PROJ. FOR FILL R'S > 1/2"	4 1/8"	—	3 3/4"	—	—

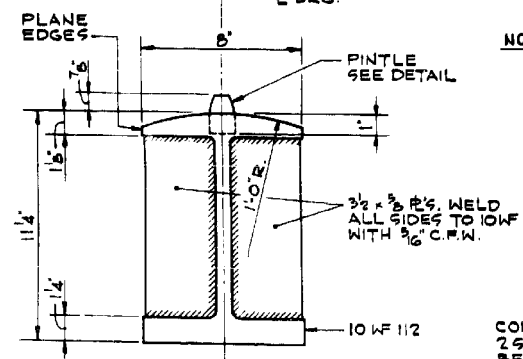


PIER	STRINGER LINE	ANGLE "A"	ANGLE "B"
16	5	82°-51'-54"	91°-20'-06"
	57	85°-11'-57"	90°-40'-25"
35	58 TO 61, 17	89°-52'-00"	90°-00'-00"
	18, 62 TO 65	85°-52'-00"	90°-00'-00"
	66	85°-29'-10"	90°-22'-50"
	67	89°-06'-15"	90°-45'-45"
41	26	82°-45'-15"	91°-08'-45"
	1 TO 4	61°-11'-22"	90°-00'-00"



TYPE	NO. REQ'D	LT	Lb	Tt	Tb	a	b	C.F.W.	TOTAL WEIGHT*
E-1	115	19"	20 1/2"	1"	1 3/8"	3 1/4"	6 1/2"	1/2"	276

EXPANSION BEARINGS AT PIERS
 7E, 7W, 9E, 9W, 10W, 11W, 16E, 26W, 29E, 29W, 30W, 35E, 40E, 40W & 60E.



BOLSTER DETAIL
 SCALE: 3"=1'-0"

BRG. TYPE E-1 @ PIER 40E
 BRG. TYPE F-1 @ PIERS 39E & 59E

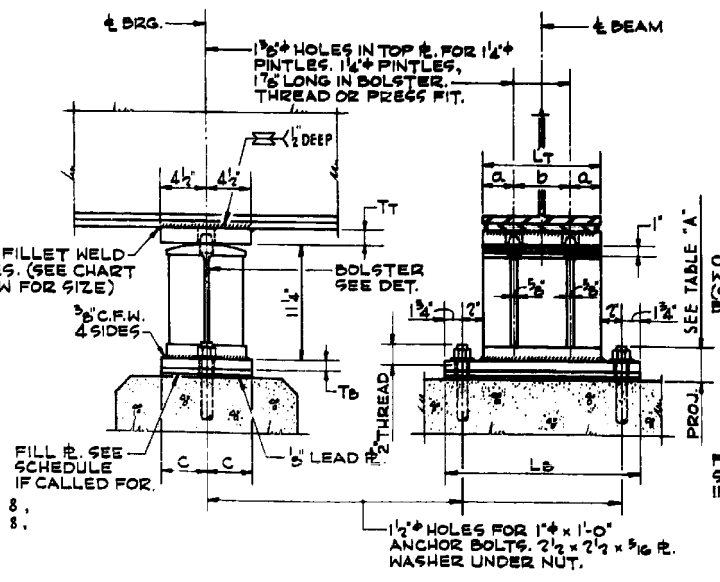
KEY TO PIER DESIGNATION:
 8E INDICATES EAST BEARINGS PIER 8,
 8W INDICATES WEST BEARINGS PIER 8,
 ETC.

BEARING PLATE DETAIL
 NOTE: CUT CORNER IS LOCATED NEAREST TO OUTSIDE FACE OF PIER CAP.

DE LEW, CATHER & CO. ENGINEERS
 DESIGNED BY J.C. BROZ
 DRAWN BY J.A. CHALIKIS
 CHECKED T. BARNETT
 IN CHARGE E.S. MARTINS
 APPROVED L.N. RIAN

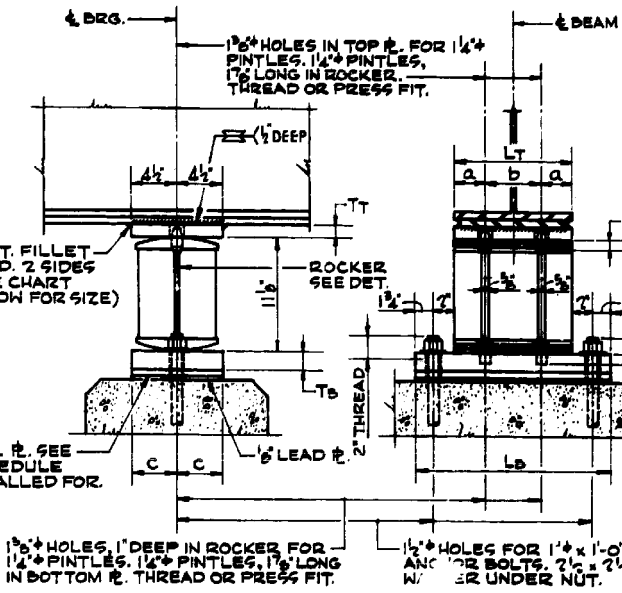
* TOTAL WEIGHT OF ONE ASSEMBLY INCLUDES TOP R., ROCKER OR BOLSTER, BOTTOM R., ANCHOR BOLTS, R. WASHERS AND LEAD R. DOES NOT INCLUDE THE WEIGHT OF ANY FILL R.

FIXED BEARINGS AT PIERS
 TYPE F-1 @ 8E, 8W, 10E, 11E, 39E, 39W, 41W, 59E, 59W, 60W & 30E*
 TYPE F-5 @ 30E SEE NOTE 1.
 NOTE: FOR PIER 30E LOCATE BRG TYPE F-1 @ STRINGER LINES 18 & 49 THRU 53; LOCATE BRG TYPE F-5 @ STRINGER LINES 54 THRU 56 & 26



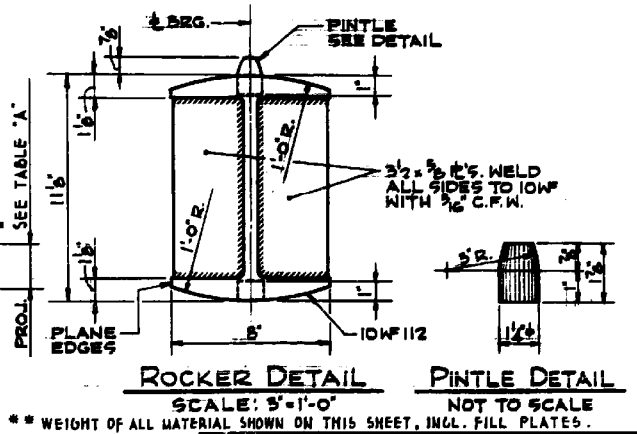
TYPE	NO. REQ'D	LT	Lb	Tt	Tb	a	b	C	C.F.W.	TOTAL WEIGHT*
F-2	20	12"	19 1/2"	1 3/8"	1 1/2"	3"	6"	5"	1/2"	290

FIXED BEARINGS AT PIERS 19, 28 & 32
 BEAM WITH COVER PLATES
 SCALE: 1 1/2"=1'-0"



TYPE	NO. REQ'D	LT	Lb	Tt	Tb	a	b	C	C.F.W.	TOTAL WEIGHT*
E-2	50	12"	19 1/2"	1 3/8"	2"	3"	6"	5"	5/8"	321

EXPANSION BEARINGS AT PIERS 12, 14, 15, 27, 31, 33 & 34
 BEAM WITH COVER PLATES
 SCALE: 1 1/2"=1'-0"



ROCKER DETAIL
 SCALE: 3"=1'-0"

PINTE DETAIL
 NOT TO SCALE

BILL OF MATERIAL **		
ITEM	UNIT	QUANTITY
FURNISHING AND ERECTING STRUCTURAL STEEL	POUND	77,731

ILLINOIS DIVISION OF HIGHWAYS
 SOUTHWEST EXPRESSWAY
 LAWNDALE AVE. VIADUCT
 BEARING DETAILS - WF BEAMS
 SCALE: AS NOTED DATE: 11-25-1995

X:\100005\10093\Eng_Docs_Phase_1\11\SN_016_2456_2457_1st_Ave_cover_Des_Plaines_River_Volley\Final\0162457_60J16_109_existsplan26.dgn 2:42:21 PM 6/23/2014