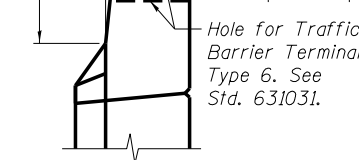
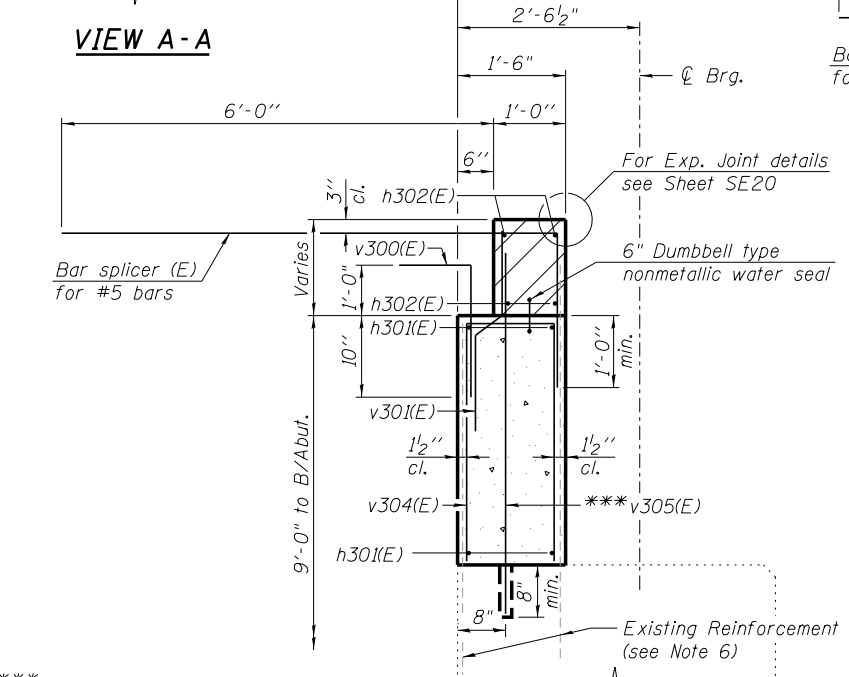


**WINGWALL ELEVATION**  
Showing Dimensions

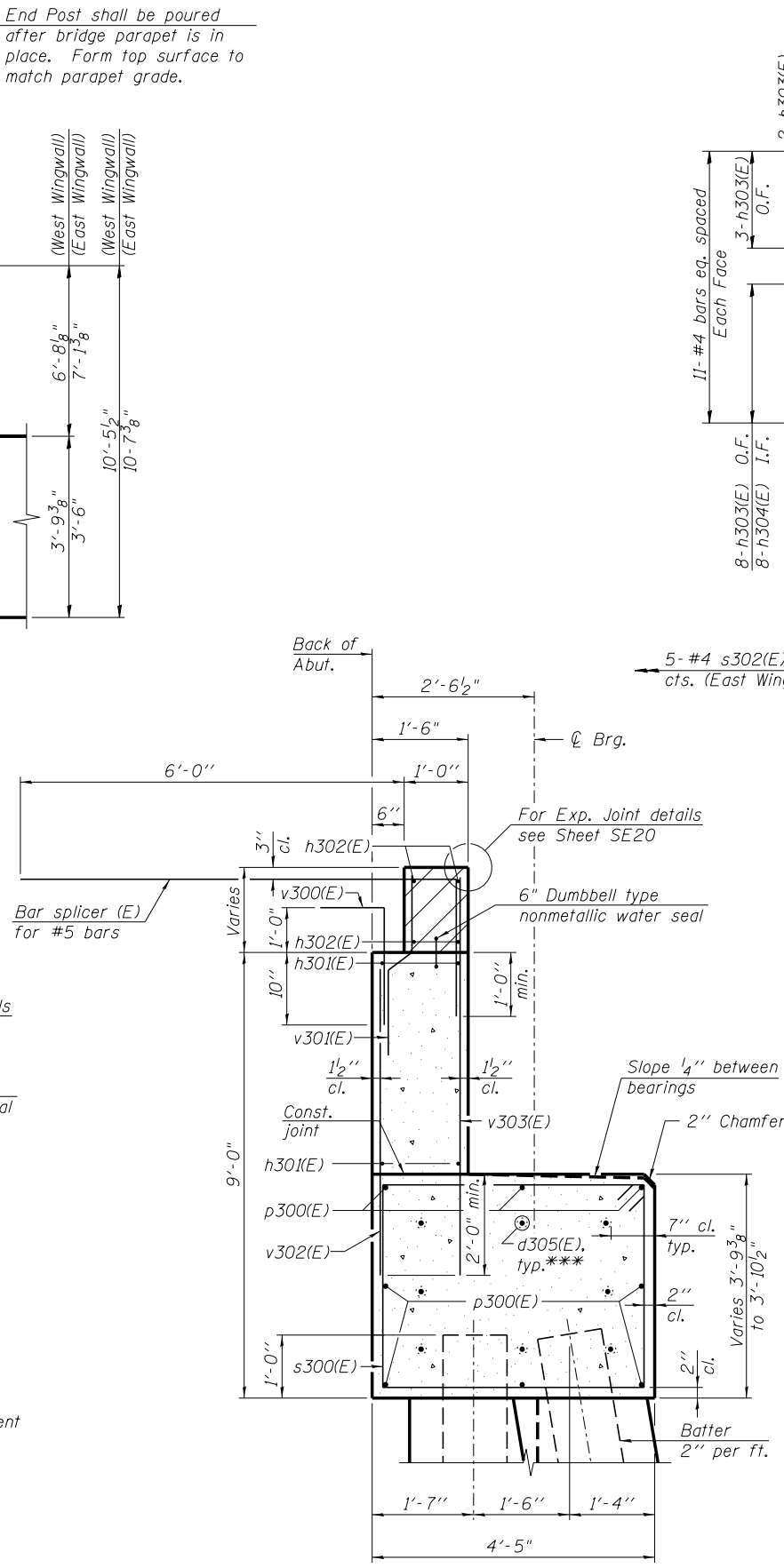


**VIEW A-A**

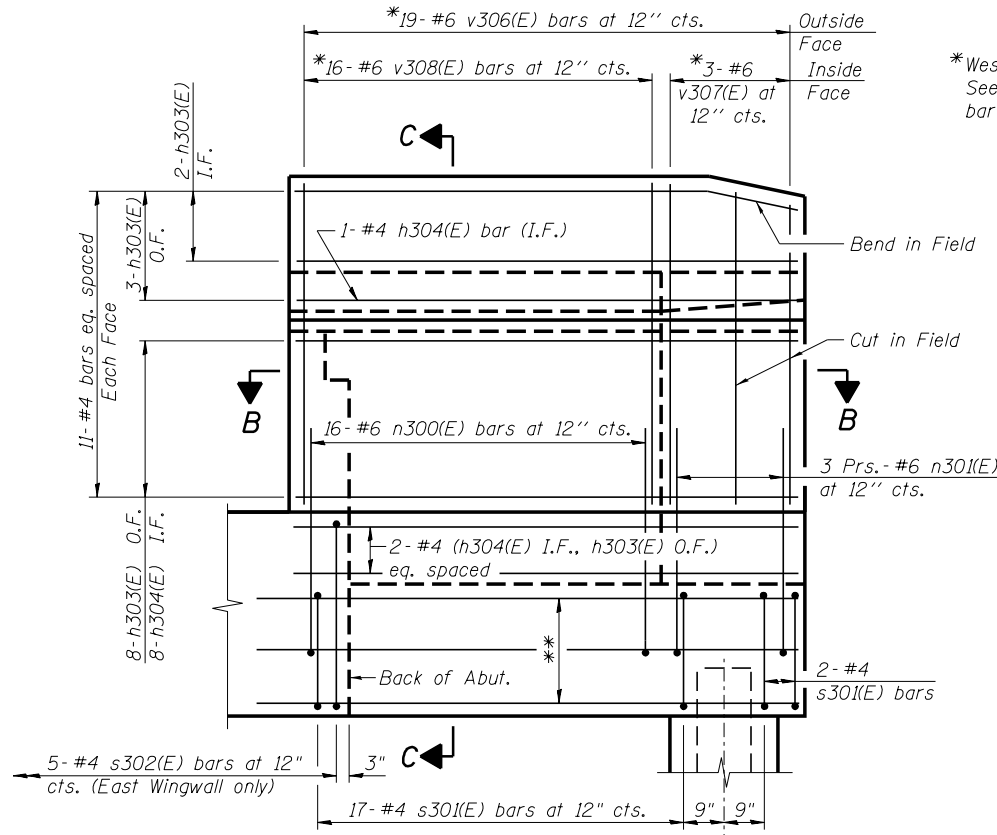


**SEC. THRU EXISTING ABUT.**

\*\*\*Drill and grout bars according to Article 584 of the Std. Specs. with a minimum embedment of 8". Cost included with Concrete Structures.

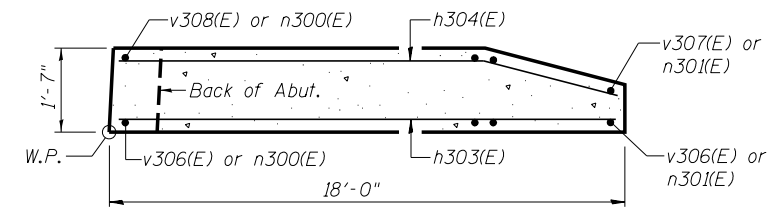


**SEC. THRU ABUT. WIDENING**

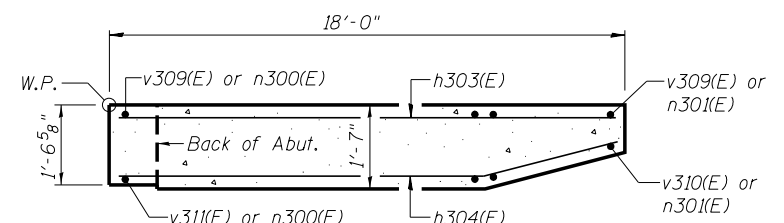


**WINGWALL ELEVATION**  
Showing Reinforcement

\*\*\*3- #7 p301(E) bars (E.F. West Wingwall)  
3- #7 p301(E) bars (O.F. East Wingwall)  
3- #7 p302(E) bars (I.F. East Wingwall)

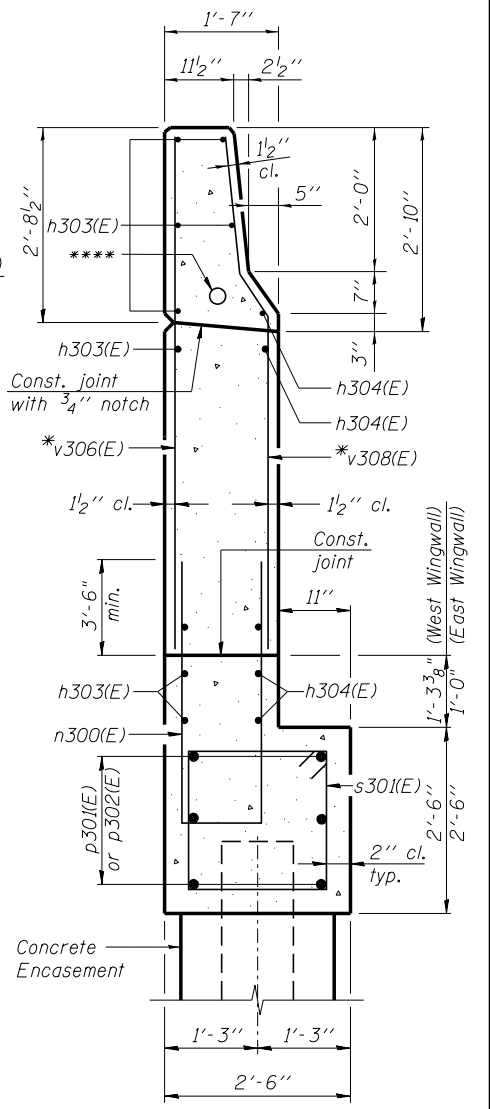


**SECTION B-B**  
West Wingwall



**SECTION B-B**  
East Wingwall

\*West Wingwall vertical bar designations shown. See Sec. B-B for similar East Wingwall vertical bar designations.



**SECTION C-C**

\*\*\*\* 1-2"  $\phi$  PVC conduit, west parapet only. See Electrical Plans for details.

**NOTES:**

1. Hatched area to be poured after superstructure false work has been removed. Quantity of concrete included with Concrete Superstructure on Sheet SE16.
2. Space reinforcement in cap to miss anchor bolts.
3. Pour steps monolithically with cap.
4. Quantity of concrete in end post included with Concrete Superstructure on Sheet SE30.
5. For Concrete Encasement details, see Sheet SE40.
6. Existing reinforcement shall be cleaned and incorporated into the new construction. Any reinforcement bars that are damaged during concrete removal operations shall be repaired or replaced using an approved bar splicer or anchorage system. Cost included with Concrete Removal.

FILE NAME =	USER NAME = jsurber	DESIGNED - JLS	REVISED -
0160483.60J16.032.Abut.Widening.3.dgn		CHECKED - SLD	REVISED -
		DRAWN - RMG	REVISED -
		CHECKED - SLD	REVISED -

F.A.P. RTE.	SECTION	COUNTY	TOTAL SHEETS	SHEET NO.
372	2013-038B-R	COOK	821	516
CONTRACT NO. 60J16			ILLINOIS FED. AID PROJECT	