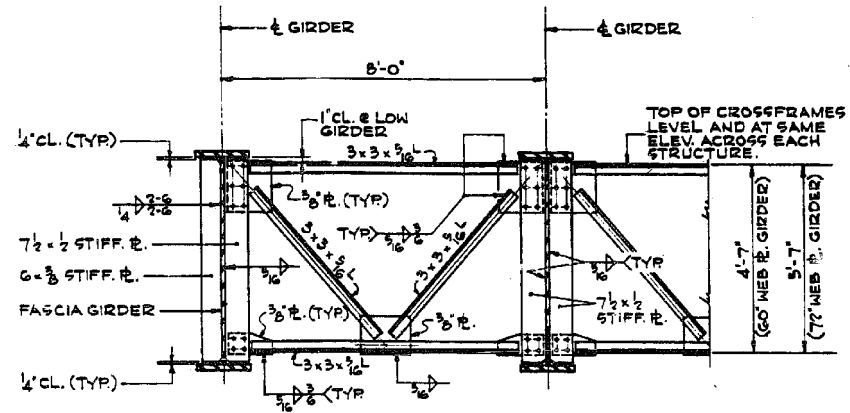
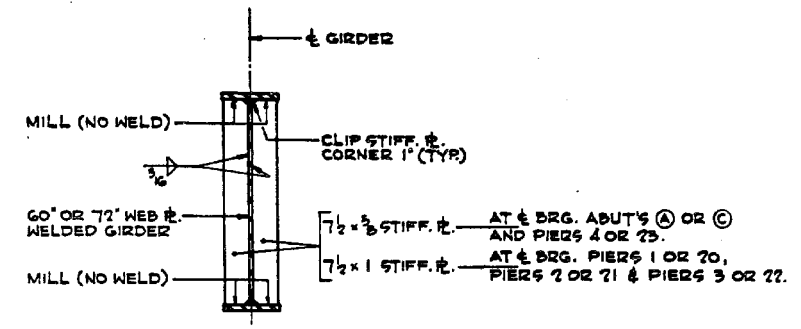


**END CROSSFRAME DETAIL**



**INTERMEDIATE CROSSFRAME DETAIL**



**DETAIL OF BEARING STIFFENER PLATES AT ABUTMENTS AND PIERS**

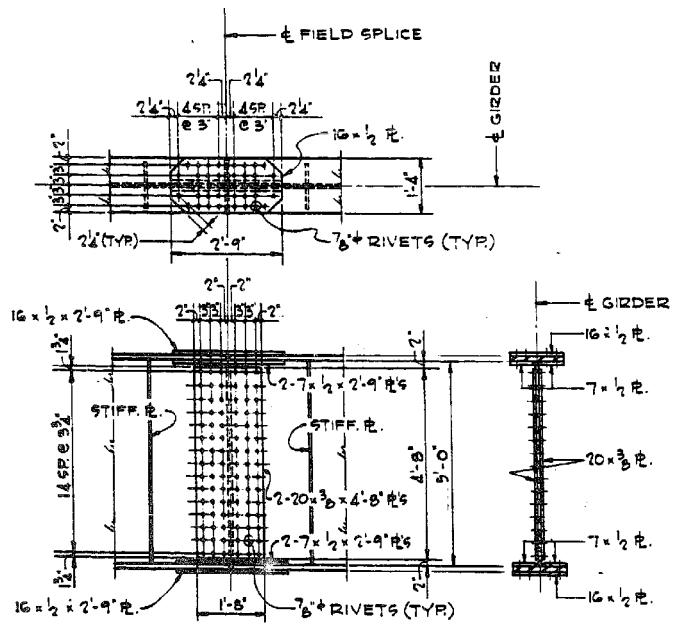
SCALE: 1/2" = 1'-0"

NOTE: USE 3/4" RIVETS FOR ALL FIELD CONNECTIONS

**TYPICAL CROSSFRAME DETAILS**

SCALE: 1/2" = 1'-0"

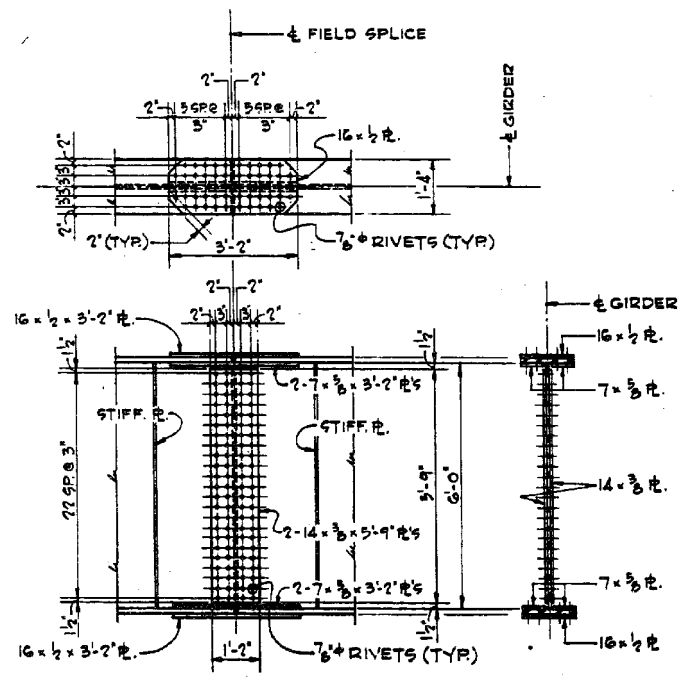
NOTE: FOR DETAILS OF CONDUIT SUPPORT BRACKETS, SEE SH. 20.



**DETAIL OF FIELD SPLICE #1**

60" WEB DEPTH GIRDER

SCALE: 1/2" = 1'-0"



**DETAIL OF FIELD SPLICE #2 THRU #5**

72" WEB DEPTH GIRDER

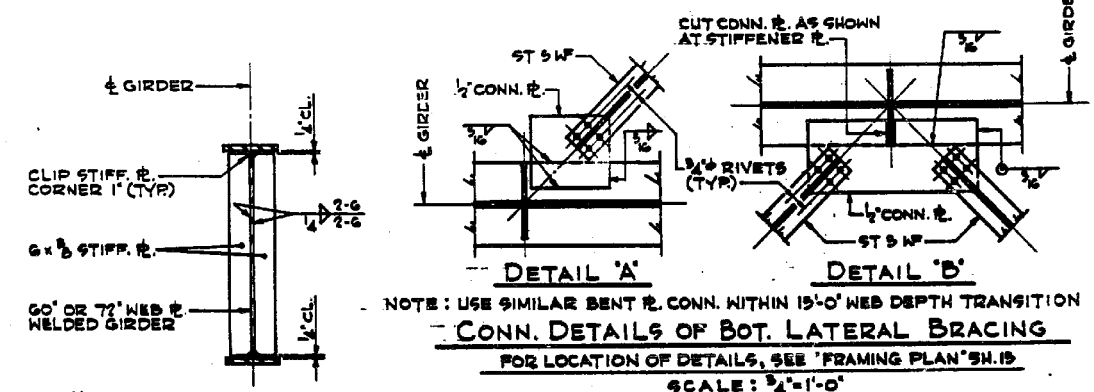
SCALE: 1/2" = 1'-0"

NOTE: FOR BILL OF MATERIAL, SEE SH. 15.

**TOP OF GIRDER WEB DE. ELEVATIONS**

NOTE: TOP OF GIRDER WEB DE. IS A STRAIGHT LINE BETWEEN POINTS A & B, B & D, D & E, E & G, G & H, H & K AND K & L.

GIRDER	A	B	C	D	E	F	G	H	J	K	L
G1 & G2	619.140	619.059	619.118	619.178	619.387	619.515	619.642	620.042	620.252	620.422	621.145
G3	619.320	619.239	619.298	619.358	619.367	619.645	619.822	620.222	620.412	620.602	621.325



NOTE: USE SIMILAR BENT PL. CONN. WITHIN 15'-0" WEB DEPTH TRANSITION

**CONN. DETAILS OF BOT. LATERAL BRACING**

FOR LOCATION OF DETAILS, SEE 'FRAMING PLAN' SH. 15

SCALE: 3/4" = 1'-0"

NOTE: FOR WELD DETAILS OF STIFF. PL. AT CROSS-FRAMES, SEE 'TYP. CROSSFRAME DETAILS'; FOR WELD DETAILS OF STIFF. PL. AT BEARINGS, SEE DETAIL THRU SHEET.

**DETAIL 'X'** - TYP. INTERMEDIATE STIFFENERS OTHER THAN AT CROSSFRAMES.

SCALE: 1/2" = 1'-0"

DE LEJW, CATHEN & CO. ENGINEERS  
 DESIGNED BY J.C. BROZ  
 DRAWN BY J.A. CHALIKIS  
 CHECKED BY [Signature]  
 IN CHARGE E.S. MARTINS  
 APPROVED L. NIAN

JOB NO. 1179

ILLINOIS DIVISION OF HIGHWAYS  
 SOUTHWEST EXPRESSWAY  
 LAWDALE AVE. OVER  
 DES PLAINES RIVER  
 MISCELLANEOUS STEEL DETAILS

SCALE: AS NOTED DATE: