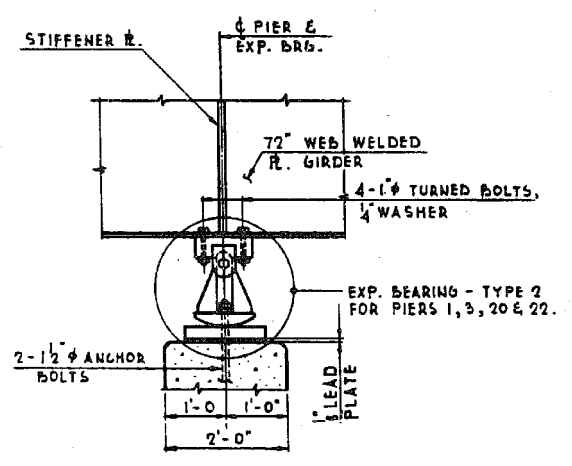
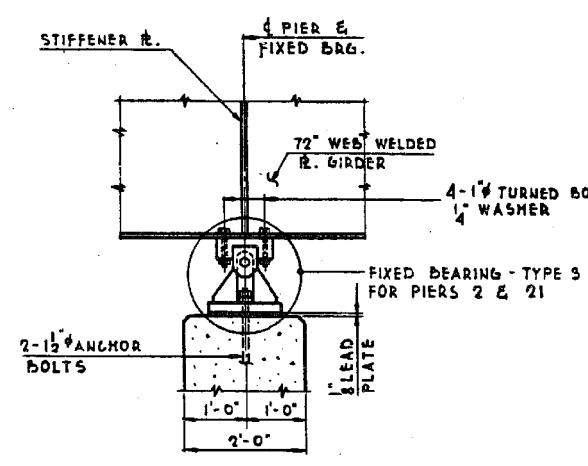


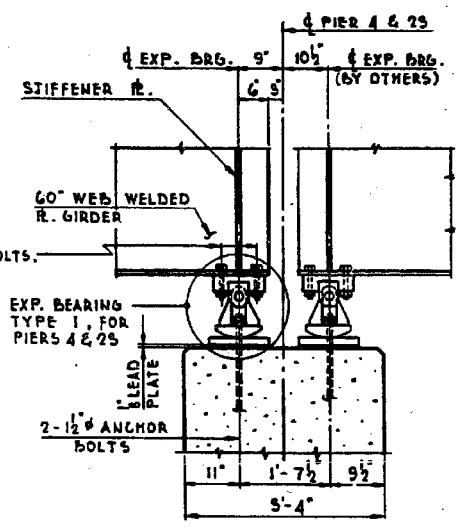
**BRG. TYPE 1 AT ABUT'S A & C**  
SCALE: 3/4" = 1'-0"



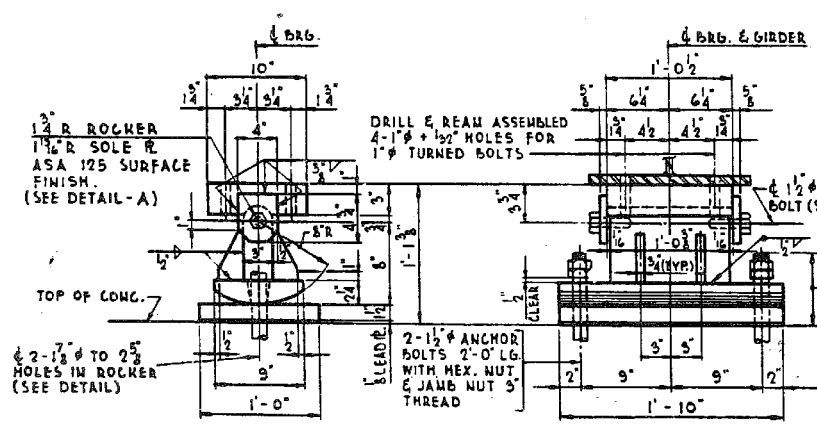
**BRG. TYPE 2 AT PIERS 1, 3, 20 & 22**  
SCALE: 3/4" = 1'-0"



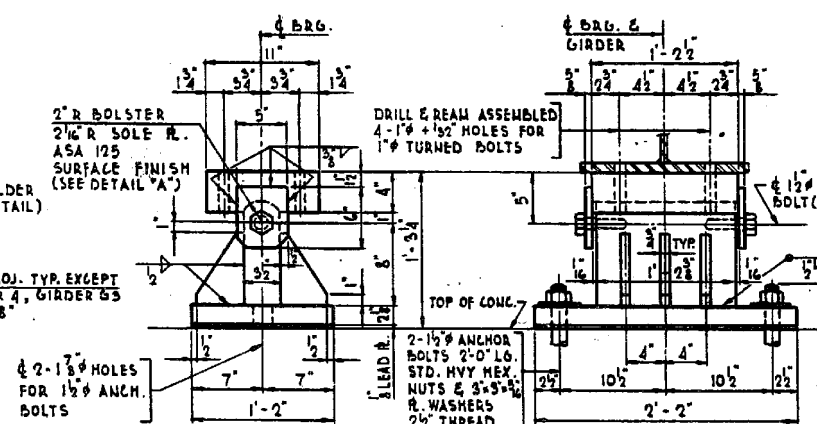
**BRG. TYPE 3 AT PIERS 2 & 21**  
SCALE: 3/4" = 1'-0"



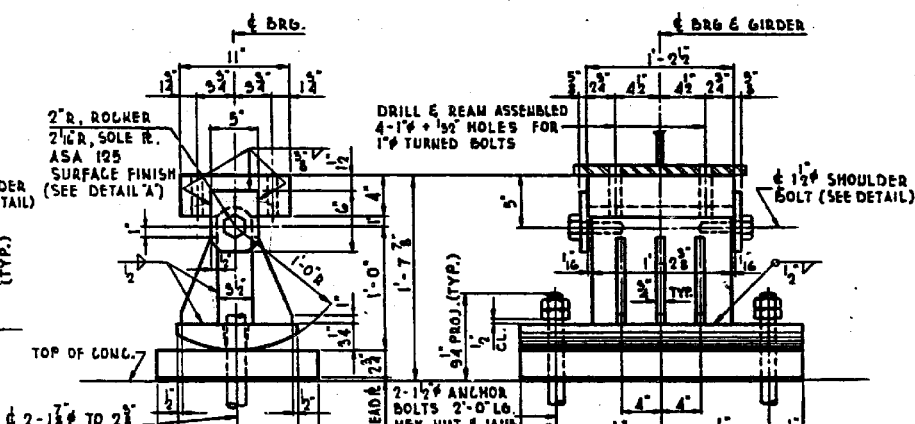
**BRG. TYPE 1 AT PIERS 4 & 23**  
SCALE: 3/4" = 1'-0"



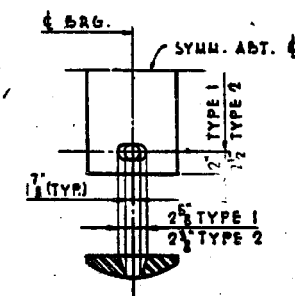
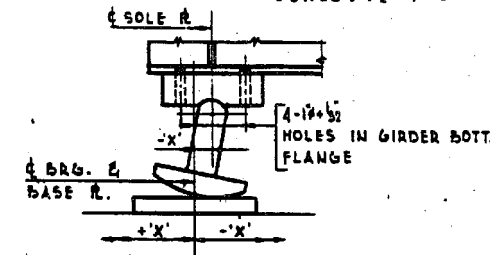
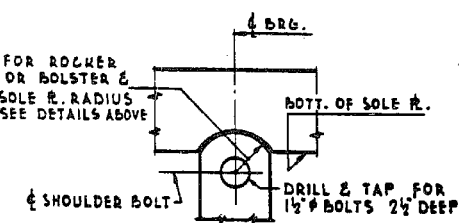
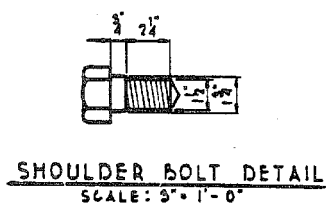
**ROCKER DETAIL OF EXP. BRG. TYPE 1**  
SCALE: 1 1/2" = 1'-0"



**BOLSTER DETAIL OF FIXED BRG. TYPE 3**  
SCALE: 1 1/2" = 1'-0"



**ROCKER DETAIL OF EXP. BRG. TYPE 2**  
SCALE: 1 1/2" = 1'-0"



BILL OF MATERIAL **		
ITEM	UNIT	QUANTITY
FURNISHING & ERECTING STRUCTURAL STEEL	POUND	42,904

\*\* WEIGHT OF ALL MATERIAL SHOWN ON THIS SHEET, INCL. FILL P.'S.

FILL PLATE SCHEDULE		
LOCATION	THICKNESS	
GIRDERS G1 & G2 @ PIER 4	5/16" (4 REQ'D)	
GIRDER G3 @ PIER 4	1 1/2"	
GIRDERS G1, G2 & G3 @ PIER 23	1/2" (5 REQ'D)	
TOTAL WEIGHT OF FILL PLATES = 214 LBS		

TEMPERATURE F	110°	90°	70°	50°	30°	10°
BRG'S @ ABUT'S (A) & (C)	+1/4"	+3/8"	+1/2"	+3/4"	+1"	+1 1/4"
BRG'S @ PIERS 1 & 20	+1/4"	+3/8"	+1/2"	+3/4"	+1"	+1 1/4"
BRG'S @ PIERS 3 & 22	-1/4"	-3/8"	-1/2"	-3/4"	-1"	-1 1/4"
E. BRG'S @ PIERS 4 & 23	-1/4"	-3/8"	-1/2"	-3/4"	-1"	-1 1/4"

**ROCKER SETTING DIAGRAM**  
MINUS SIGN INDICATES  $\phi$  SOLE PLATE WEST OF  $\phi$  BEARING.  
PLUS SIGN INDICATES  $\phi$  SOLE PLATE EAST OF  $\phi$  BEARING.

BRG. TYPE	WT. PER BRG.	NO. REQ'D	TOTAL WT.
1	555	20	11,100
2	1,194	20	23,880
3	711	10	7,110

**BEARING SCHEDULE**  
\* DOES NOT INCLUDE FILL P.'S.

ILLINOIS DIVISION OF HIGHWAYS			
SOUTHWEST EXPRESSWAY			
LAWDALE AVE. OVER DES PLAINES RIVER			
BEARING DETAILS			

DE LEW, CATHY & CO. ENGINEERS  
DESIGNED BY E.M. LIEBOLD  
DRAWN BY E. BOBINAS  
CHECKED BY J. S. MARTINS  
IN CHARGE L.H. RIAH  
APPROVED L.H. RIAH

JOB NO. 1179

Alfred Benesch & Company  
205 North Michigan Avenue, Suite 2400  
Chicago, Illinois 60601  
312-565-0450 Job No. 10093



FILE NAME = 0160483.60J16.054.existplan8.dgn

USER NAME = tjenicke  
DESIGNED - FSM  
CHECKED - RMM  
DRAWN - FSM  
PLOT DATE = 12/20/2013

REVISOR -  
REVISOR -  
REVISOR -  
REVISOR -

STATE OF ILLINOIS  
DEPARTMENT OF TRANSPORTATION

EXISTING PLAN INFORMATION (8 OF 13)  
STRUCTURE NO. 016-0483

SHEET NO. SEX8 OF SEX13 SHEETS

FOR INFORMATION ONLY

F.A.P. RTE.	SECTION	COUNTY	TOTAL SHEETS	SHEET NO.
372	2013-038B-R	COOK	821	538
CONTRACT NO. 60J16				
ILLINOIS FED. AID PROJECT				

X:\100005\10093\Eng\_Docs\_Phase\_II\SN\_016\_0483\_0985\_1st\_Ave\_cover\_Des\_Plaines\_River\_Final\0160483\_60J16\_054.existplan8.dgn 2:44:31 PM 6/23/2014