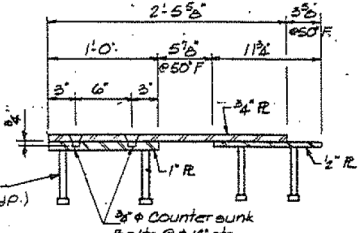
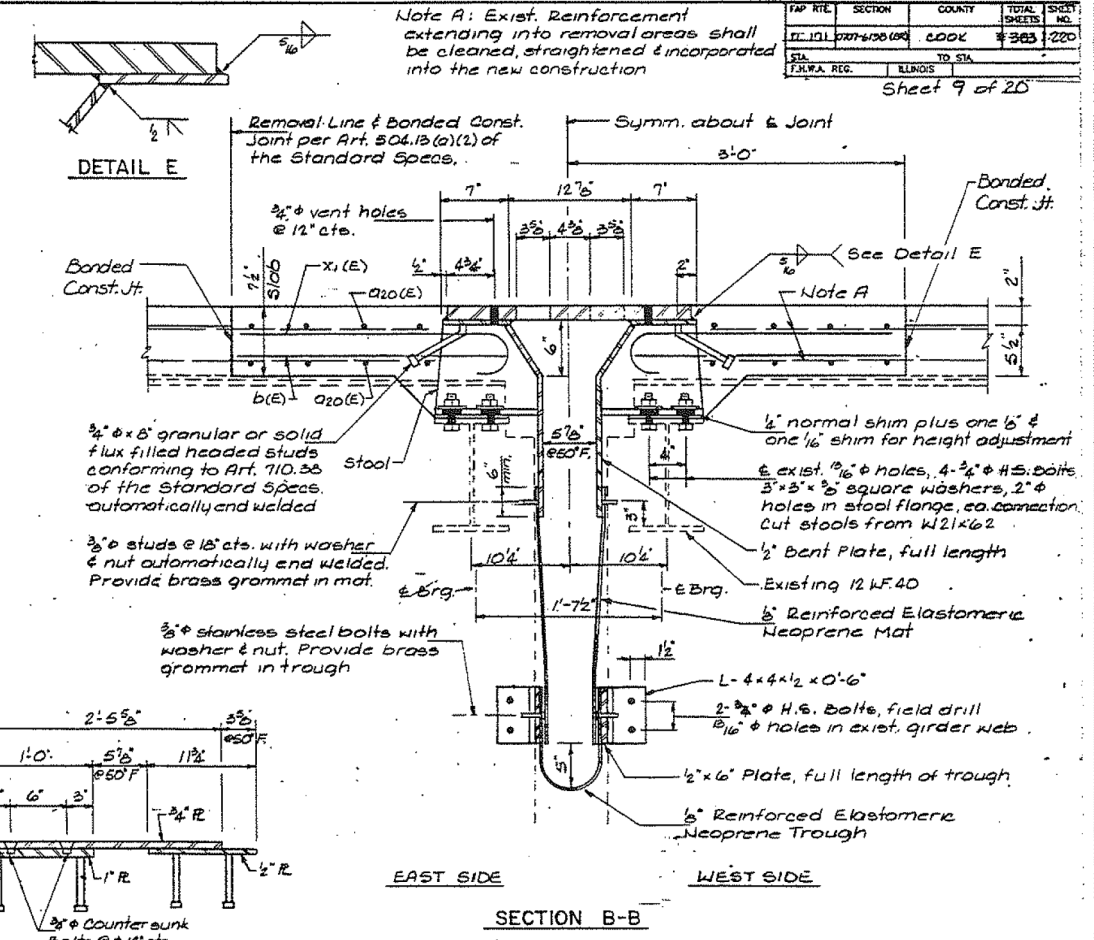


SLIDING PLATE DETAILS AT CURB & PARAPET

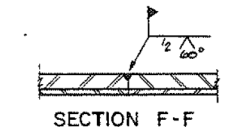


SECTION C-C
Pier 23 Shown
Pier 4 Similar

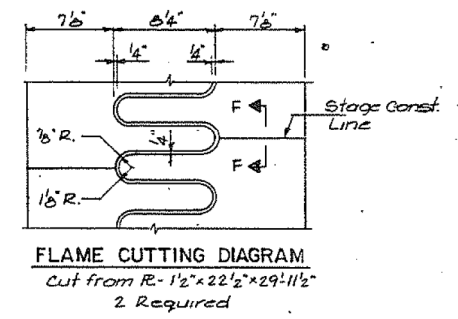


SECTION B-B

EAST SIDE WEST SIDE



SECTION F-F



FLAME CUTTING DIAGRAM
Cut from R-1/2" x 22 1/2" x 29 1/2"
2 Required

F.A.P. RT. NO.	SECTION	COUNTY	TOTAL SHEETS	SHEET NO.
077-0388-R	COOK	ILLINOIS	821	541
Sheet 9 of 20				

Note A: Exist. Reinforcement extending into removal areas shall be cleaned, straightened & incorporated into the new construction

FILE NAME = 0160483.60J16.057.existplan11.dgn	USER NAME = tjenicke	DESIGNED - FSM	REVISIONS
		CHECKED - RMM	REVISIONS
		DRAWN - FSM	REVISIONS
		CHECKED - RMM	REVISIONS

F.A.P. RT. NO.	SECTION	COUNTY	TOTAL SHEETS	SHEET NO.
372	2013-0388-R	COOK	821	541
CONTRACT NO. 60J16				

X:\1000005\10093\Eng_Docs_Phase_11\SN_016_0483_0985_1st_Ave_cover_Des_Plaines_River_Final\0160483-60J16_057.existplan11.dgn 2:44:44 PM 6/23/2014