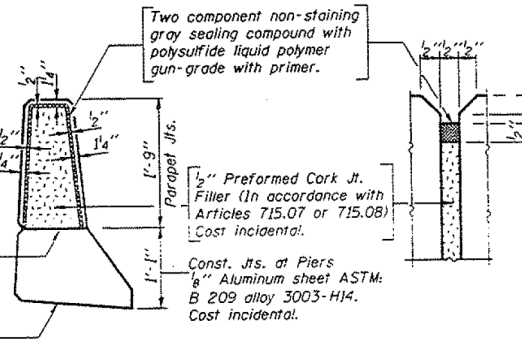
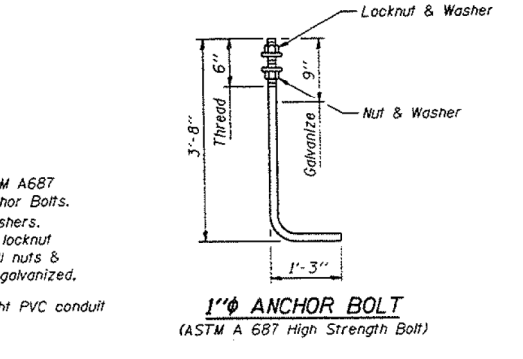
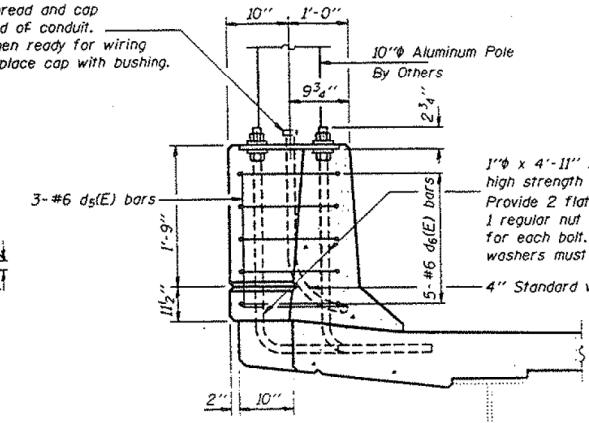
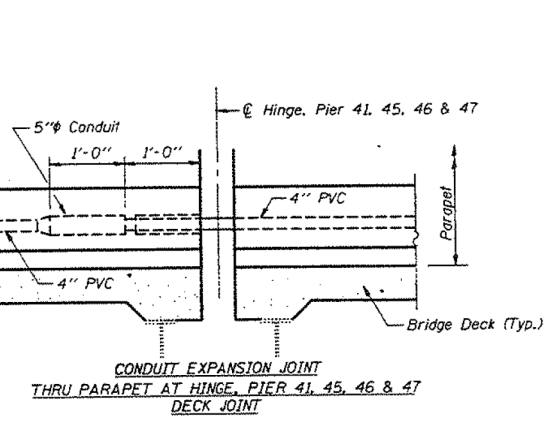
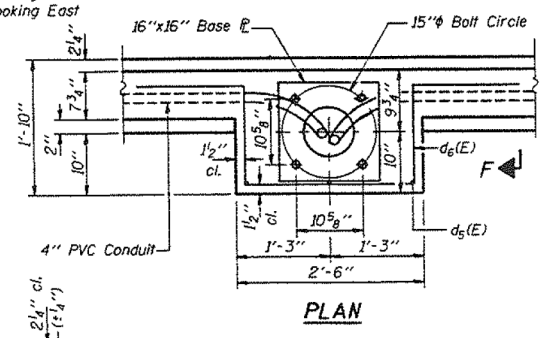
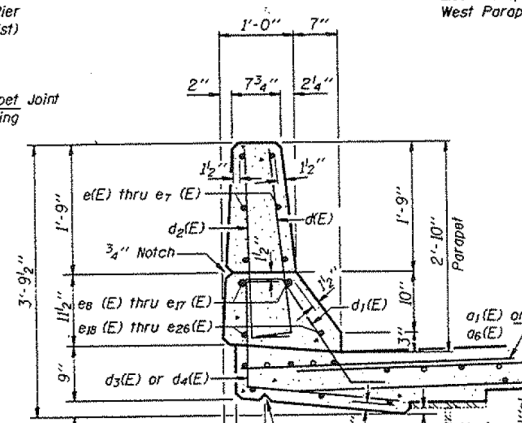
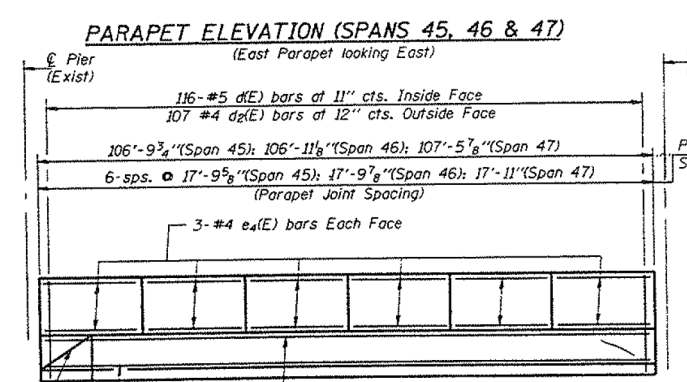
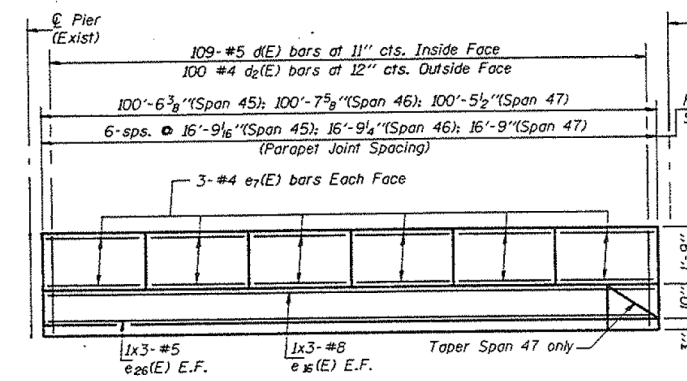
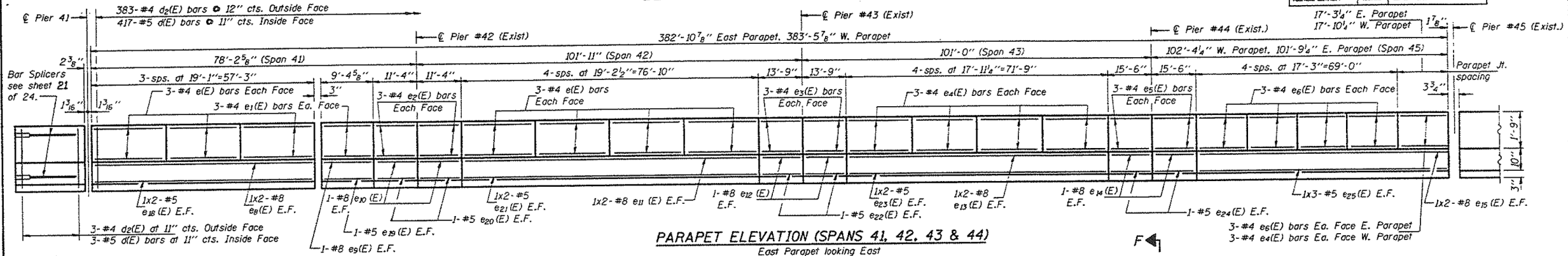


STATE OF ILLINOIS  
DEPARTMENT OF TRANSPORTATION

DATE	BY	CHECKED	DATE	SHEET NO.
12/20/2013	tjenicke	r.b. carbonell	12/20/2013	10



DESIGNED **VECTOR # VEIIP**  
CHECKED **Nicholas J. Smith**  
DRAWN **r.b. carbonell**  
CHECKED **VHV NJS**  
S-2-D 2-26-93

EXAMINED **Prof. J. Kasper**  
PASSED **Ralph E. Anderson**  
Jan. 12 1994

Note: Cost of anchor bolts, conduits and junction boxes are incidental to Class X Concrete Superstructure.

MIN. BAR LAP  
#5 = 1'-8"  
#8 = 3'-5"

**SUPERSTRUCTURE DETAILS**  
F.A.I. RT. 55 SEC. 0707-614B  
COOK COUNTY  
STA. 106+26.32

**benesch**  
engineers · scientists · planners

Alfred Benesch & Company  
205 North Michigan Avenue, Suite 2400  
Chicago, Illinois 60601  
312-565-0450 Job No. 10093

FILE NAME =	USER NAME =	DESIGNED -	REVISOR -
0161026_60J16_X18_existplan18.dgn	tjenicke	FSM	
		CHECKED -	REVISOR -
		RMM	
		DRAWN -	REVISOR -
		FSM	
		CHECKED -	REVISOR -
		RMM	

STATE OF ILLINOIS  
DEPARTMENT OF TRANSPORTATION

EXISTING PLANS (1994) - PARAPET ELEVATION  
STRUCTURE NO. 016-1026

SHEET NO. SFX18 OF SFX30 SHEETS

FOR INFORMATION ONLY

F.A.P. RT. 55	SECTION 2013-038B-R	COUNTY COOK	TOTAL SHEETS 821	SHEET NO. 578
			CONTRACT NO. 60J16	
ILLINOIS FED. AID PROJECT				

X:\100005\10093\Eng\_Docs\_Phase\_1\11\SN\_016\_1026\_SB\_1st\_Ave\_Ramp\_cover\_Des\_Plaines\_River\_Final\_V16.dwg 6/23/2014 2:46:30 PM