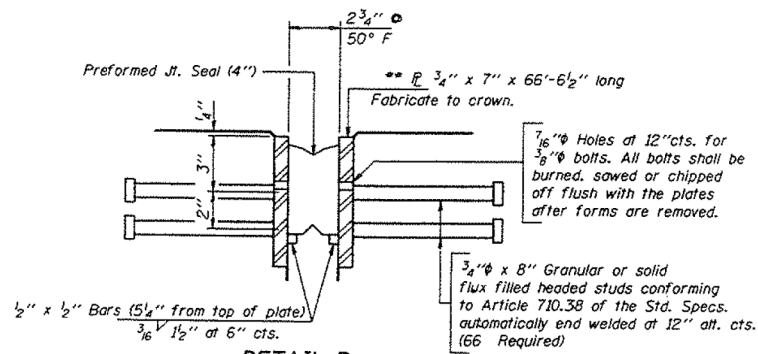


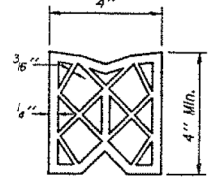
STATE OF ILLINOIS
DEPARTMENT OF TRANSPORTATION

ROUTE NO.	SECTION	COUNTY	TOTAL SHEETS	SHEET NO.
F.A.I. RT. 55	SEC. 0707-614B	COOK	383	358
				24 SHEETS

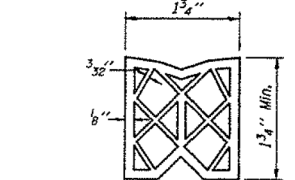


DETAIL B

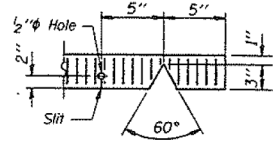
** Furnish in segments of 20 ft. maximum length. Maximum space between installed segments shall be 3/16". Seal space with Silicone Sealant suitable for Structural Steel.



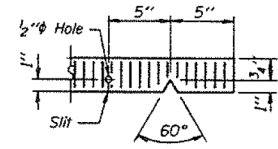
PREFORMED JOINT SEAL (4")



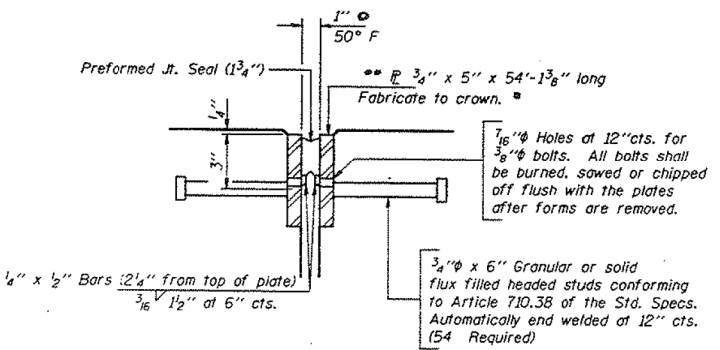
PREFORMED JOINT SEAL (1 3/4")



SEAL CUT-OUT

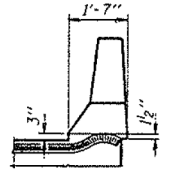


SEAL CUT-OUT

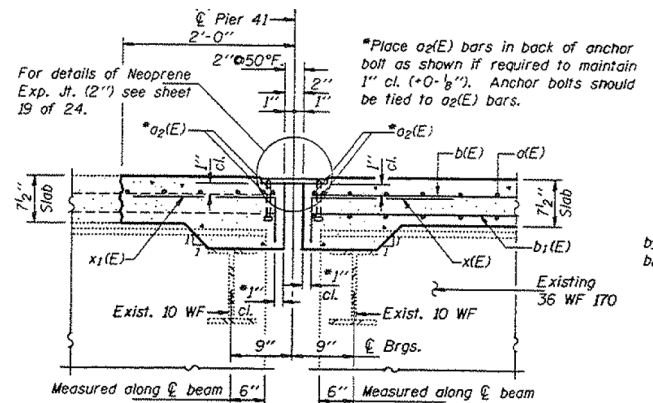


DETAIL A

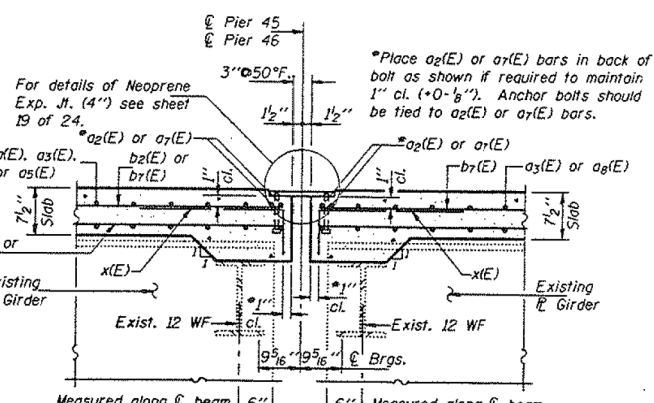
** Furnish in segments of 20 ft. maximum length. Maximum space between installed segments shall be 3/16". Seal space with Silicone Sealant suitable for Structural Steel.



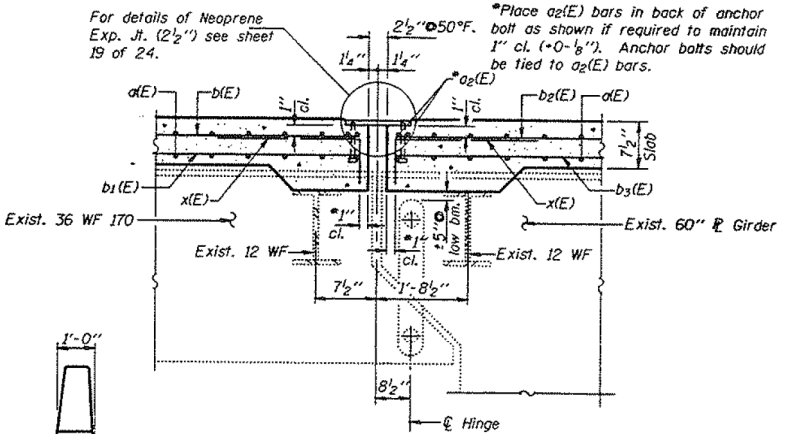
TYPICAL END OF SEAL TREATMENTS AT PIER 47



SECTION A-A
(Dim. are at Rt. L's)



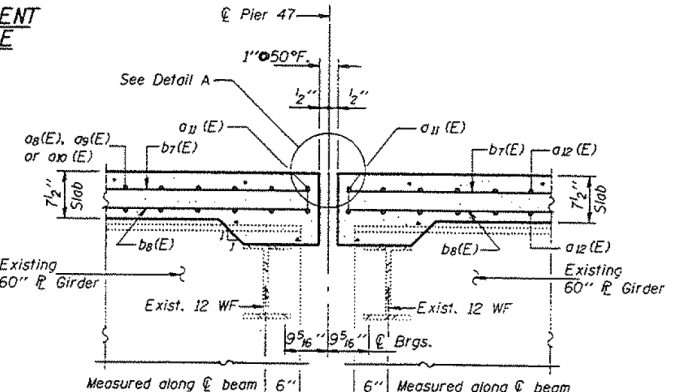
SECTION C-C
(Dim. are at Rt. L's)



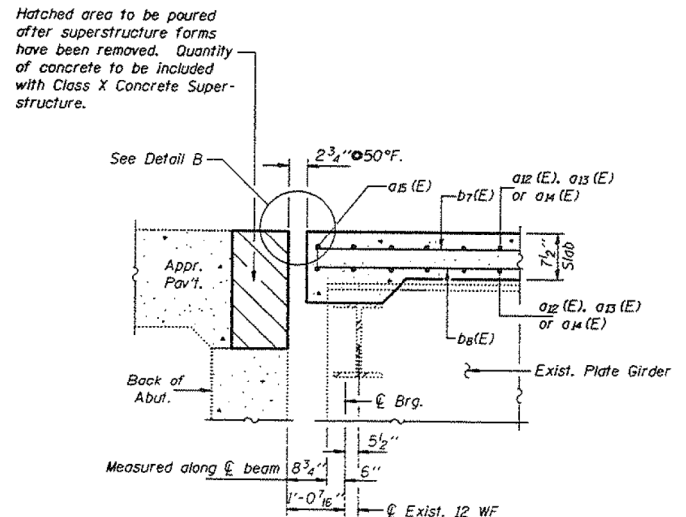
SECTION B-B
(Dim. are at Rt. L's)



END TREATMENT AT ABUT. E



SECTION D-D
(Dim. are at Rt. L's)



SECTION E-E
(Dim. are at Rt. L's)

DESIGNED <i>Vicente H. Uelz</i>	EXAMINED <i>Jan. 12 1994</i>
CHECKED <i>Nicholas J. Hall</i>	PASSED <i>Ralph E. Anderson</i>
DRAWN <i>r.b. carbonell</i>	
CHECKED <i>VHV AIT'S</i>	

S-2-D 2-26-93

SUPERSTRUCTURE DETAILS
F.A.I. RT. 55 SEC. 0707-614B
COOK COUNTY
STA. 106+26.32

benesch
engineers - scientists - planners

Alfred Benesch & Company
205 North Michigan Avenue, Suite 2400
Chicago, Illinois 60601
312-565-0450 Job No. 10093

FILE NAME =	USER NAME = tjenicke	DESIGNED - FSM	REVISD -
0161026.60J16.X19.existplan19.dgn	PLOT SCALE =	CHECKED - RMM	REVISD -
	PLOT DATE = 12/20/2013	DRAWN - FSM	REVISD -
		CHECKED - RMM	REVISD -

STATE OF ILLINOIS
DEPARTMENT OF TRANSPORTATION

EXISTING PLANS (1994) - SUPERSTRUCTURE DETAILS
STRUCTURE NO. 016-1026
SHEET NO. SFX19 OF SFX30 SHEETS

FOR INFORMATION ONLY

F.A.P. RTE.	SECTION	COUNTY	TOTAL SHEETS	SHEET NO.
372	2013-038B-R	COOK	821	579
				CONTRACT NO. 60J16
ILLINOIS FED. AID PROJECT				

X:\1000005\10093\Eng_Docs_Phase_11\SN_016_1026_SB_1st_Ave_Ramp_cover_Des_Plaines_River_Final\1026\0161026_60J16_X19_existplan19.dgn 2:46:39 PM 6/23/2014