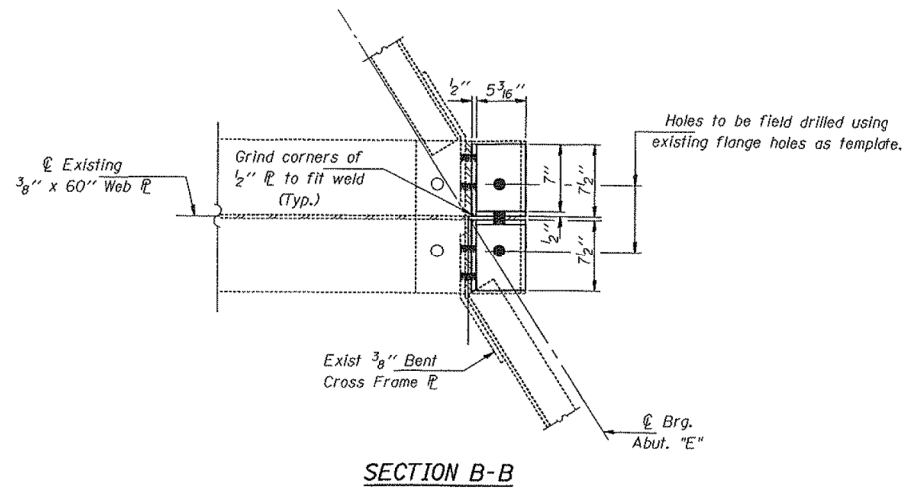
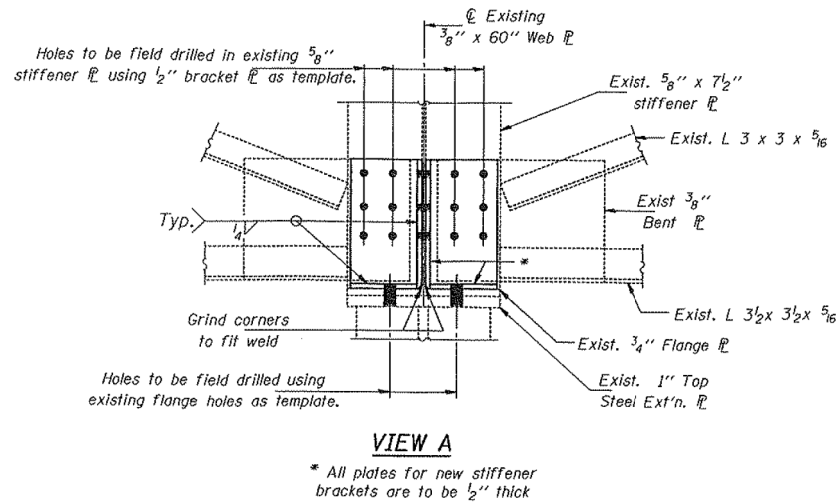
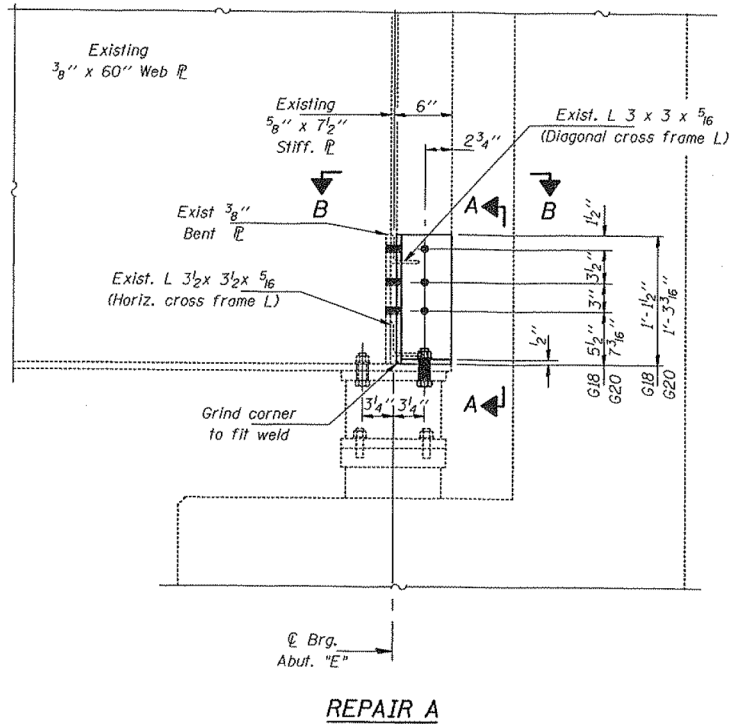


STATE OF ILLINOIS
DEPARTMENT OF TRANSPORTATION

ROUTE NO.	SECTION	COUNTY	SHEETS	SHEET NO.	SHEET
F.A.I. 55	*	COOK	5	4	2 SHEETS
FED. ROAD DIST. NO. 7	ILLINOIS	FED. AID PROJECT			
* 0707-614B-I-1-DL					



DESIGNED	C.M.E.	MAY 27, 1999
CHECKED	G.T.B.	EXAMINED <i>John A. Morias</i>
DRAWN	D-herbert	PASSED
CHECKED	C.M.E. V.H.V.	ENGINEER OF BRIDGES AND STRUCTURES

BRIDGE REPAIRS
F.A.I. 55 (RAMP E) OVER DES PLAINES RIV
SEC. 0707-614B
COOK COUNTY
STA. 106+26.32
S.N. 016-1026

benesch
engineers · scientists · planners
Alfred Benesch & Company
205 North Michigan Avenue, Suite 2400
Chicago, Illinois 60601
312-565-0450 Job No. 10093

FILE NAME =	USER NAME = tjenicke	DESIGNED - FSM	REVISED -
0161026_60J16_X28_existplan28.dgn	PLOT SCALE =	CHECKED - RMM	REVISED -
	PLOT DATE = 12/20/2013	DRAWN - FSM	REVISED -
		CHECKED - RMM	REVISED -

STATE OF ILLINOIS
DEPARTMENT OF TRANSPORTATION

EXISTING PLANS (1999) – BEAM END REPAIR
STRUCTURE NO. 016-1026

SHEET NO. SFX28 OF SFX30 SHEETS

FOR INFORMATION ONLY

F.A.P. RTE.	SECTION	COUNTY	TOTAL SHEETS	SHEET NO.
372	2013-038B-R	COOK	821	588
CONTRACT NO. 60J16				
ILLINOIS FED. AID PROJECT				

X:\1000005\10093\Eng_Docs_Phase_1\1\SN_016_1026_SB_1st_Ave_Ramp_cover_Des_Plaines_River\Final\1026\0161026_60J16_X28_existplan28.dgn 2:48:07 PM 6/23/2014