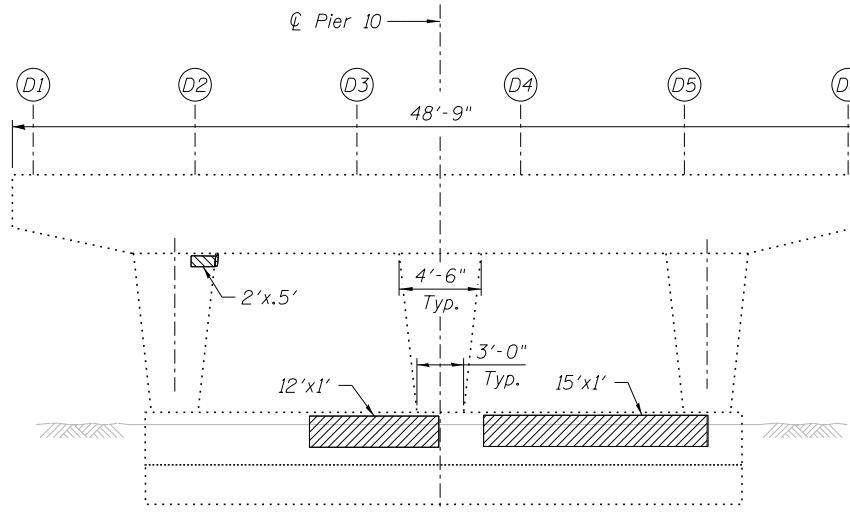
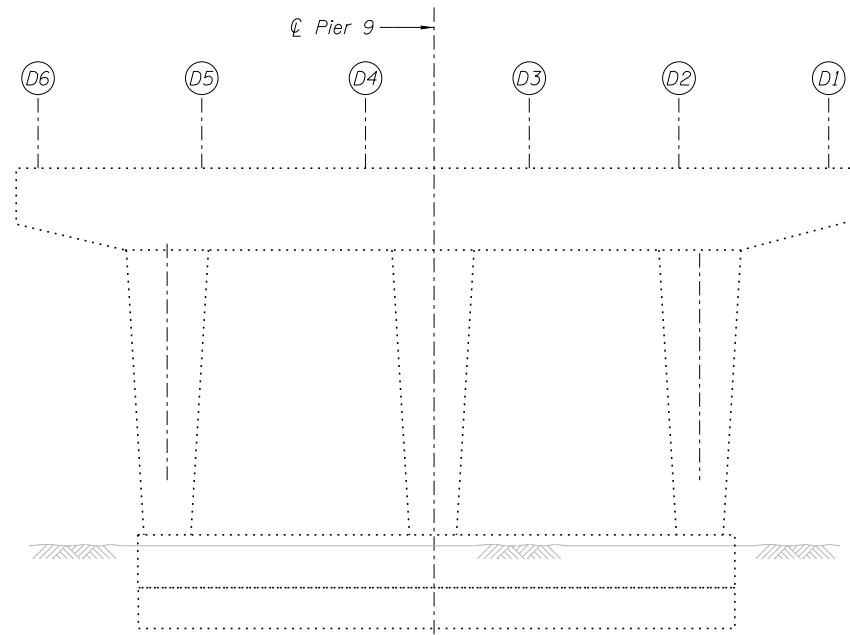


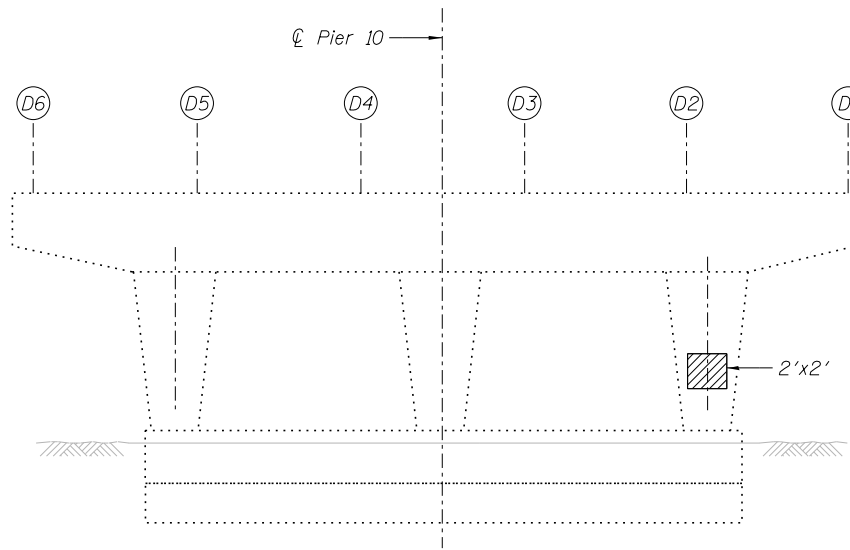
PIER 9
Looking West



PIER 10
Looking West



PIER 9
Looking East



PIER 10
Looking East

ITEM	UNIT	TOTAL
Structural Repair of Concrete (Depth equal to or less than 5 inches)	Sq. Ft.	32

LEGEND

Structural Repair of Concrete
(Depth equal to or less than 5 inches)

NOTES:

1. Actual quantities of repairs shall be approved by the Engineer.

benesch
engineers · scientists · planners

Alfred Benesch & Company
205 North Michigan Avenue, Suite 2400
Chicago, Illinois 60601
312-565-0450 Job No. 10093

FILE NAME =	USER NAME = jsurber	DESIGNED - FSM	REVISED -
		CHECKED - RMM	REVISED -
		DRAWN - FSM	REVISED -
		CHECKED - RMM	REVISED -
0160486.60J16.072.pierrepair9-10.dgn	PLOT SCALE =		
	PLOT DATE = 8/6/2014		

STATE OF ILLINOIS
DEPARTMENT OF TRANSPORTATION

PIERS 9 AND 10 REPAIR DETAILS
STRUCTURE NO. 016-0486

SHEET NO. SG72 OF SG100 SHEETS

F.A.P. RTE.	SECTION	COUNTY	TOTAL SHEETS	SHEET NO.
373	2013-038B-R	COOK	821	662
CONTRACT NO.			60J16	

ILLINOIS FED. AID PROJECT

Y:\chicago\100005\100093\Eng_Docs_Phase_II\SN_016_0486_0487_1st_Ave_cover_Canal\Final\0486\0160486-60J16_072_pierrepair9-10.dgn 7:31:01 PM 8/6/2014