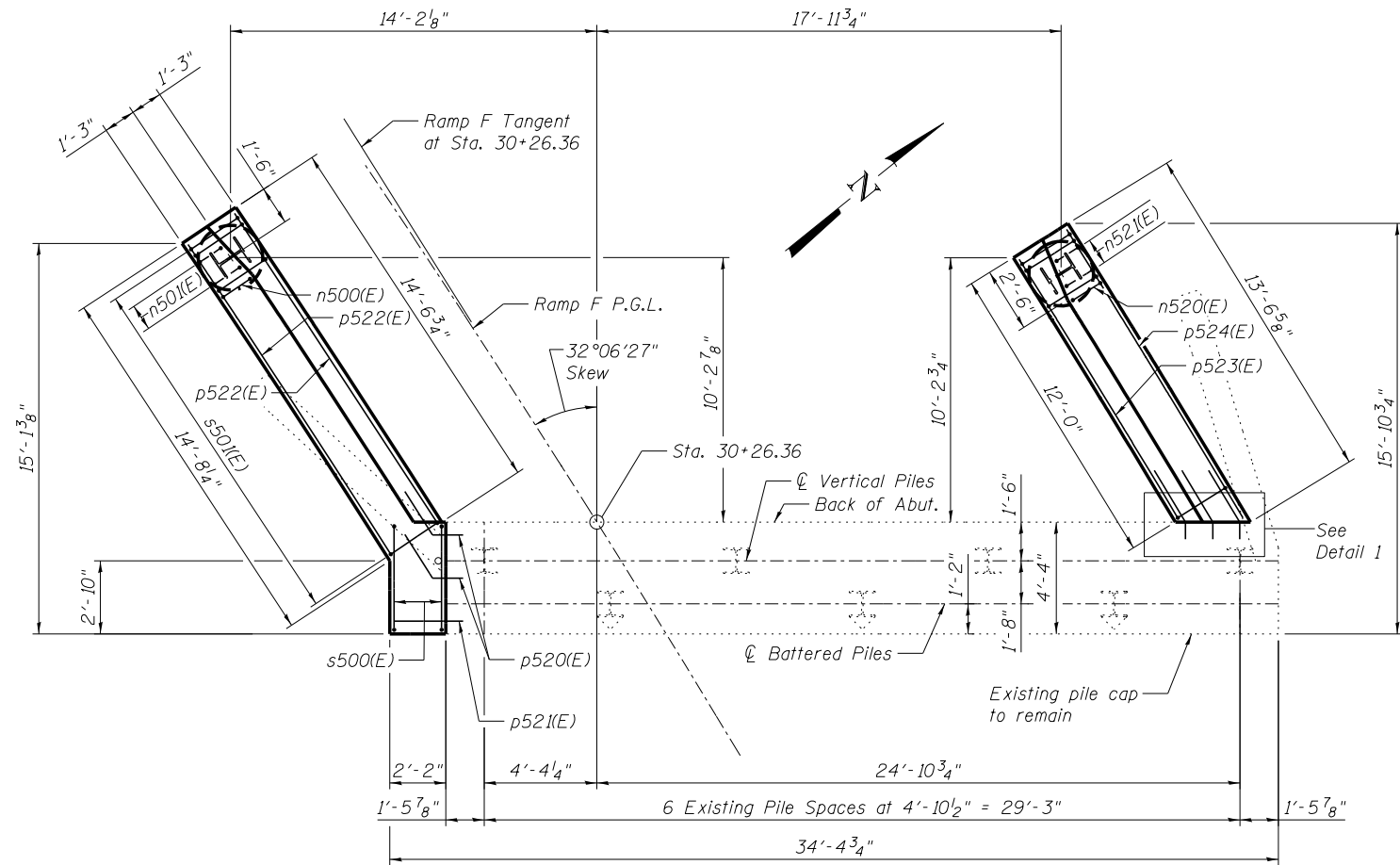


SEC. THRU ABUT. WIDENING

*Drill and grout bars according to Article 584 of the Std. Specs. with a minimum embedment of 8". Cost included with Concrete Structures.

NOTES:

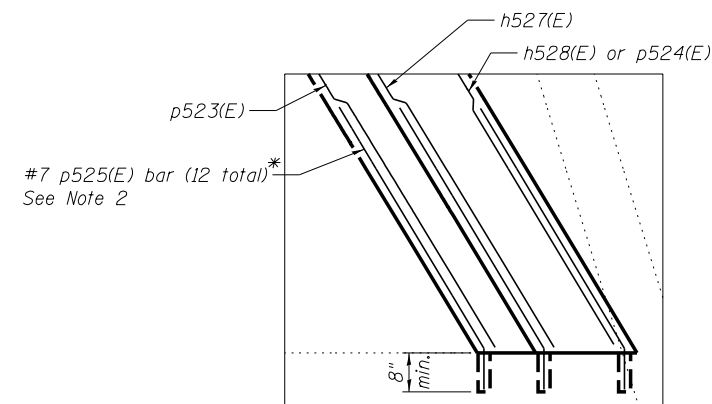
1. See Sheet SG78 for abutment elevation backwall details and for wingwall details.
2. The p525(E) bars shall lap with the p523(E), p524(E), h527(E), and h528(E) bars. See Section C-C (East Wingwall) on Sheet SG79.



WEST WINGWALL

EAST WINGWALL

PLAN - PILE CAP



DETAIL 1

FILE NAME =	USER NAME = jsurber	DESIGNED - AWH	REVISED -
		CHECKED - AJK	REVISED -
0160486.60J16.077.RampF_Abut.Widening.Detailed.dgn		DRAWN - KMS	REVISED -
		CHECKED - AJK	REVISED -
	PLOT DATE = 8/6/2014		

F.A.P. RTE.	SECTION	COUNTY	TOTAL SHEETS	SHEET NO.
373	2013-038B-R	COOK	821	667
CONTRACT NO. 60J16				
ILLINOIS FED. AID PROJECT				