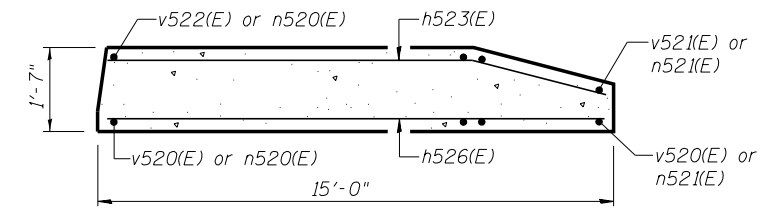
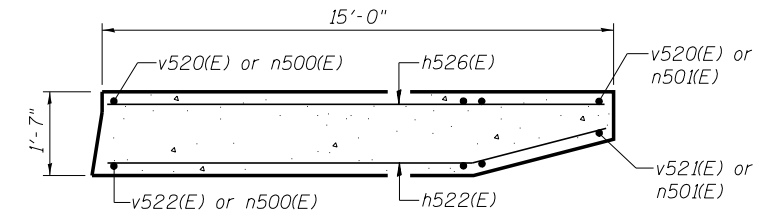


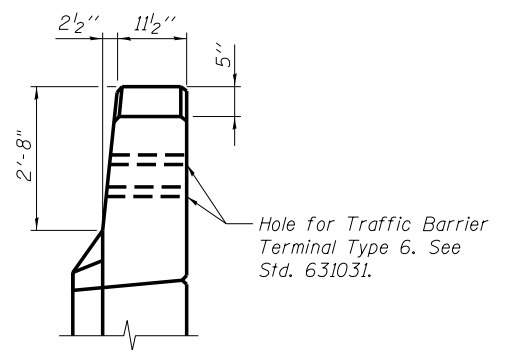
**WINGWALL ELEVATION**  
Showing Dimensions



**SECTION B-B**  
East Wingwall

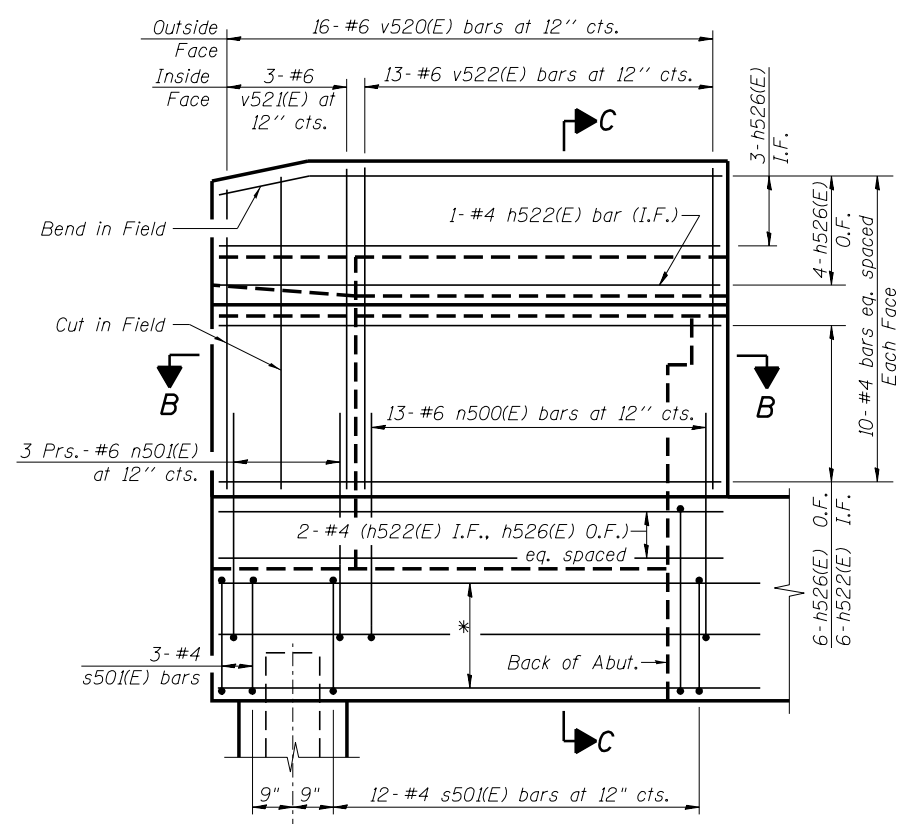


**SECTION B-B**  
West Wingwall

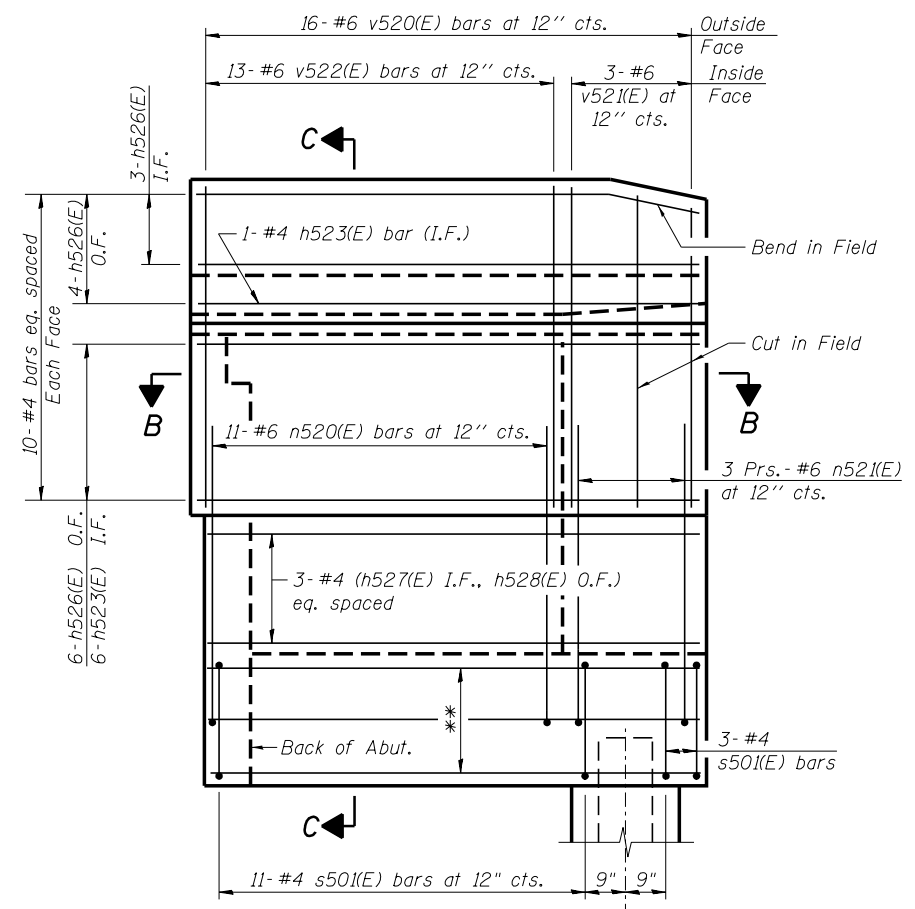


**VIEW A-A**

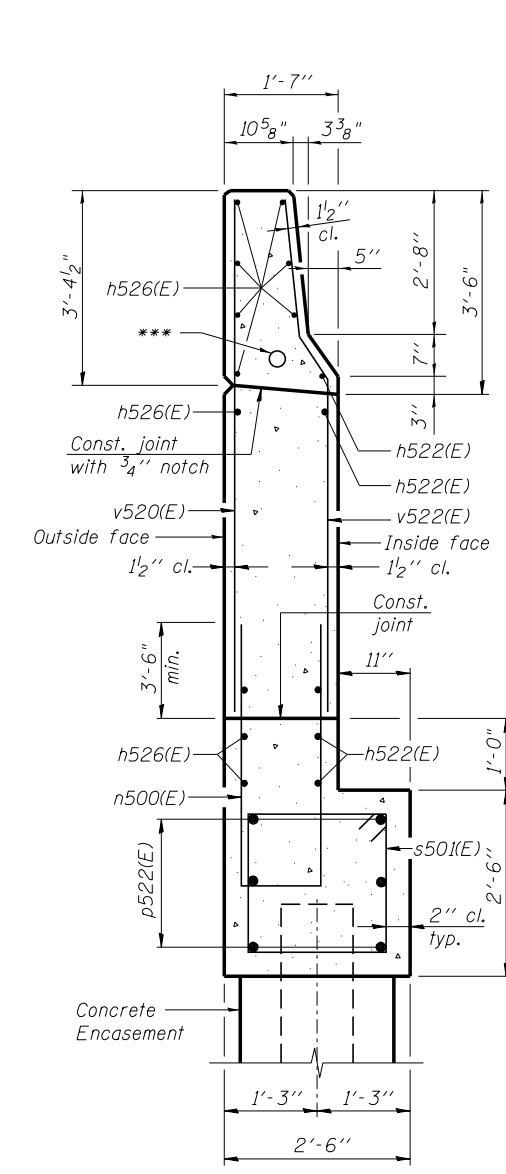
\*\*\* 1 - 2"  $\phi$  PVC Conduit. See Electrical Plans for details.



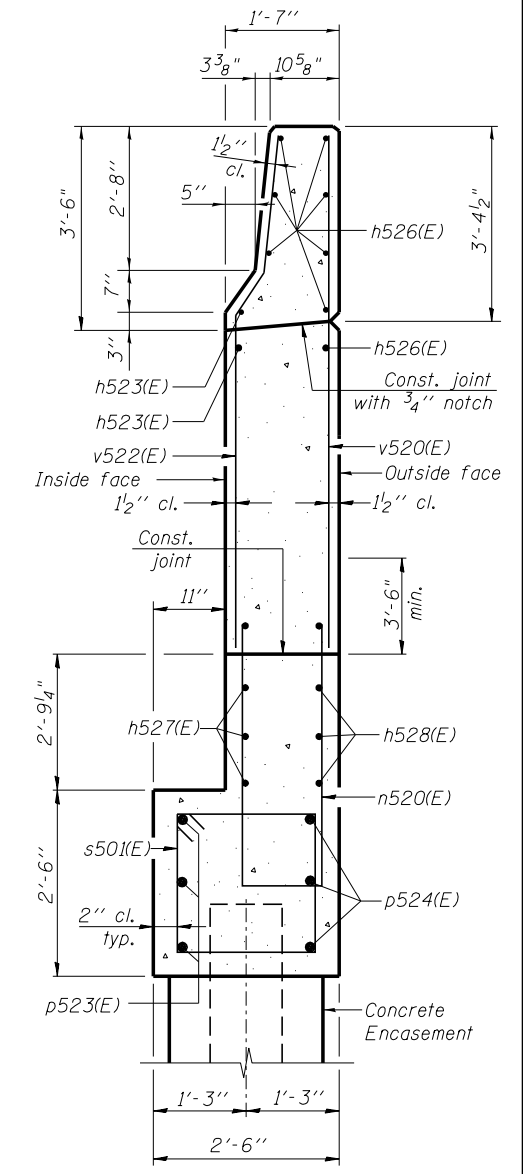
**WEST WINGWALL ELEVATION**  
Showing Reinforcement



**EAST WINGWALL ELEVATION**  
Showing Reinforcement



**SECTION C-C**  
(West Wingwall)



**SECTION C-C**  
(East Wingwall)



Alfred Benesch & Company  
205 North Michigan Avenue, Suite 2400  
Chicago, Illinois 60601  
312-565-0450 Job No. 10093

\* 3-#7 p522(E) bars (O.F.)  
3-#7 p522(E) bars (I.F.)

\*\* 3-#7 p523(E) bars (I.F.)  
3-#7 p524(E) bars (O.F.)

FILE NAME =	USER NAME = jsurber	DESIGNED - AWH	REVISED -
0160486.60J16.079.RampF_Abut.Widening_Details.3.dgn		CHECKED - AJK	REVISED -
		DRAWN - KMS	REVISED -
		CHECKED - AJK	REVISED -

**STATE OF ILLINOIS**  
**DEPARTMENT OF TRANSPORTATION**

**RAMP F ABUTMENT WIDENING DETAILS (3 OF 3)**  
**STRUCTURE NO. 016-0486**

SHEET NO. SG79 OF SG100 SHEETS

F.A.P. RTE.	SECTION	COUNTY	TOTAL SHEETS	SHEET NO.
373	2013-038B-R	COOK	821	669
CONTRACT NO.			60J16	
ILLINOIS FED. AID PROJECT				

Y:\chicago\100005\10093\Eng\_Docs\_Phase\_1\1\SN\_016\_0486\_0487.lst-Ave-over\_Canal\Final\0486\_0160486\_60J16\_079\_RampF\_Abut.Widening\_Details.3.of\_3.dgn 7:31:12 PM 8/6/2014