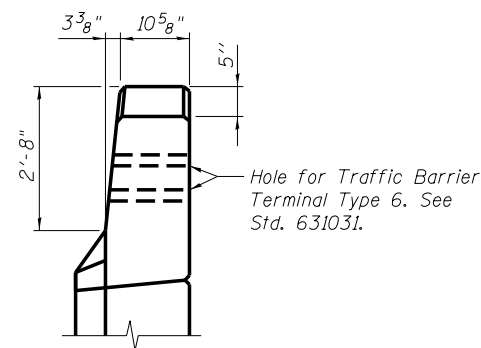
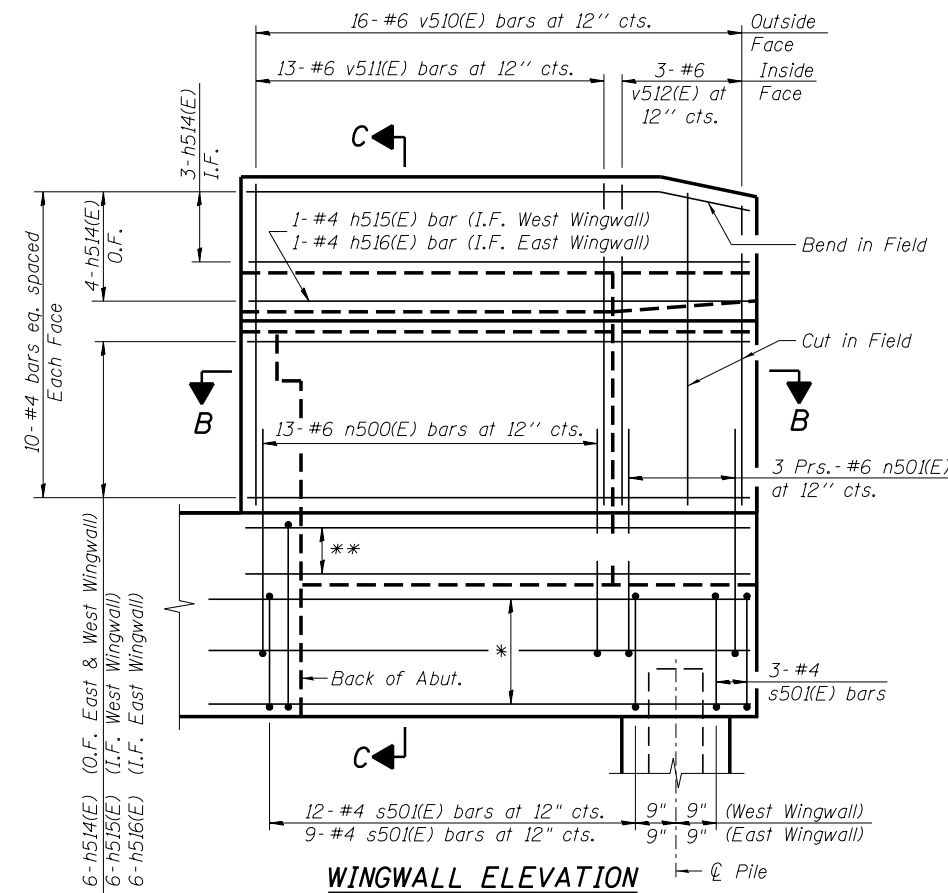


WINGWALL ELEVATION
Showing Dimensions

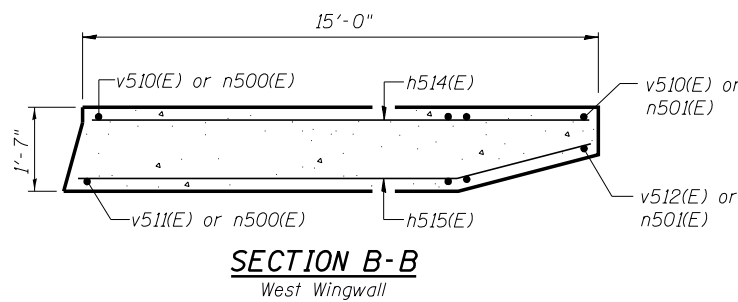


VIEW A-A

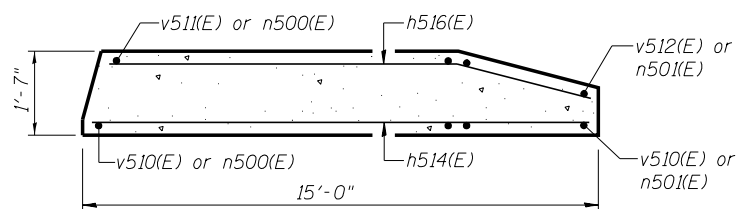


WINGWALL ELEVATION
Showing Reinforcement

- * 3-#7 p514(E) bars (O.F. West Wingwall)
- 3-#7 p514(E) bars (I.F. West Wingwall)
- 3-#7 p515(E) bars (I.F. East Wingwall)
- 3-#7 p516(E) bars (O.F. East Wingwall)
- ** 2-#7 h514(E) bars (O.F. West & East Wingwall)
- 2-#7 h515(E) bars (I.F. West Wingwall)
- 2-#7 h516(E) bars (I.F. East Wingwall)

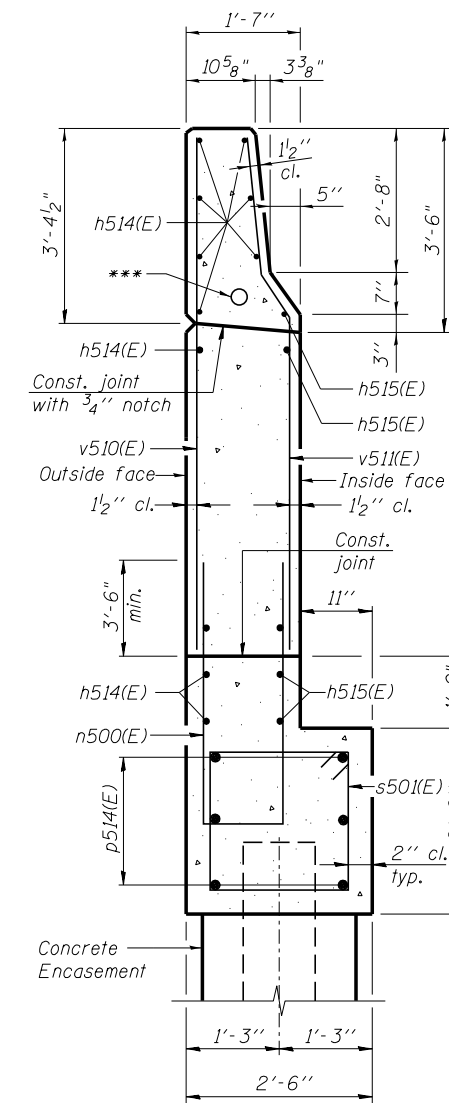


SECTION B-B
West Wingwall

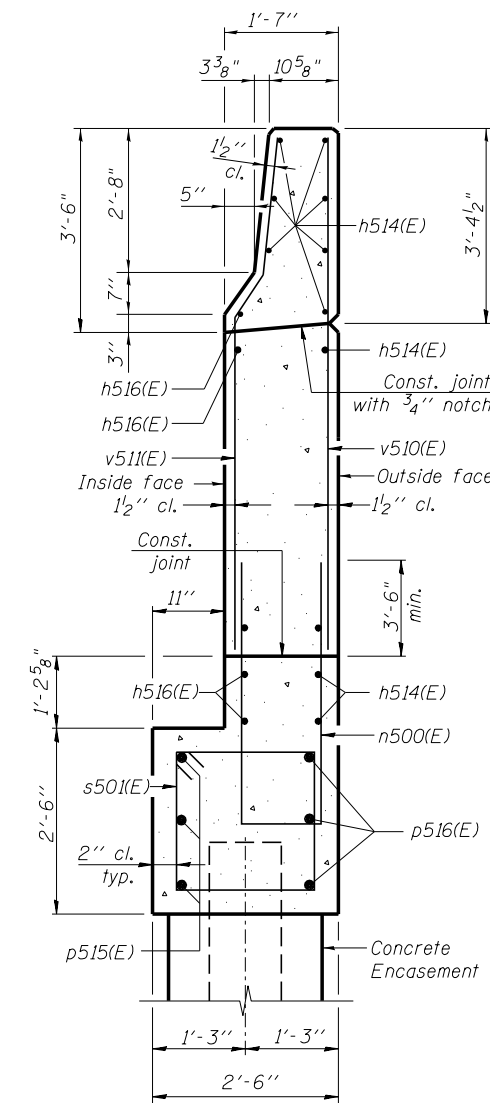


SECTION B-B
East Wingwall

*** 1 - 2" ϕ PVC Conduit. See Electrical Plans for details.



SECTION C-C
(West Wingwall)



SECTION C-C
(East Wingwall)

FILE NAME =	USER NAME = jsurber	DESIGNED - AWH	REVISED -
0160486.60J16.082.N.Abut.Widening.Details-0160486	PLLOT DATE = 8/6/2014	CHECKED - AJK	REVISED -
		DRAWN - KMS	REVISED -
		CHECKED - AJK	REVISED -

F.A.P. RTE.	SECTION	COUNTY	TOTAL SHEETS	SHEET NO.
373	2013-038B-R	COOK	821	672
CONTRACT NO.			60J16	
ILLINOIS FED. AID PROJECT				