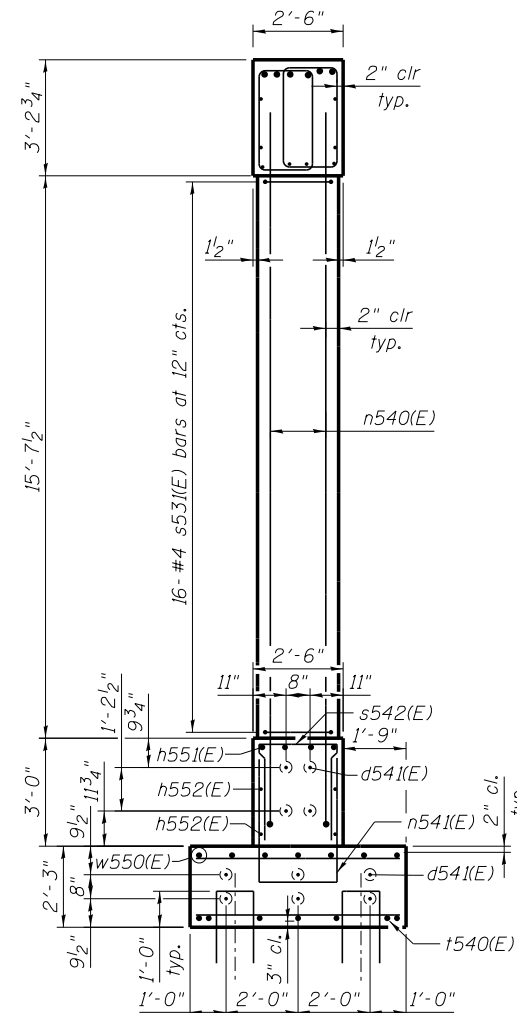


ANCHOR BOLT LAYOUT



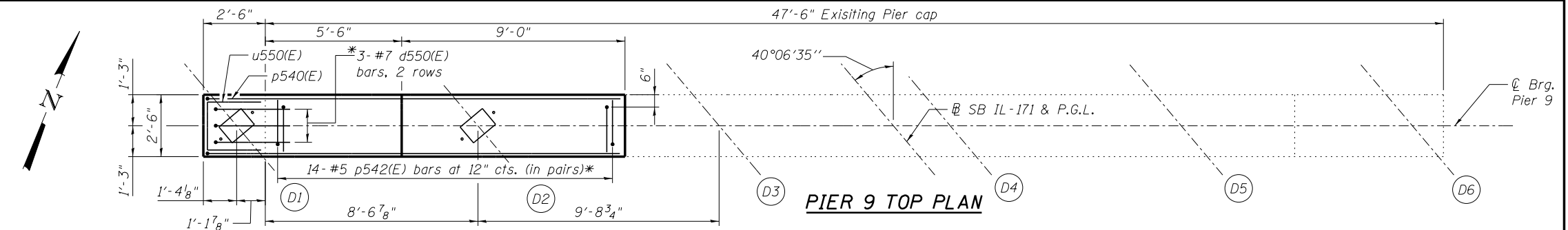
END VIEW

PILE DATA

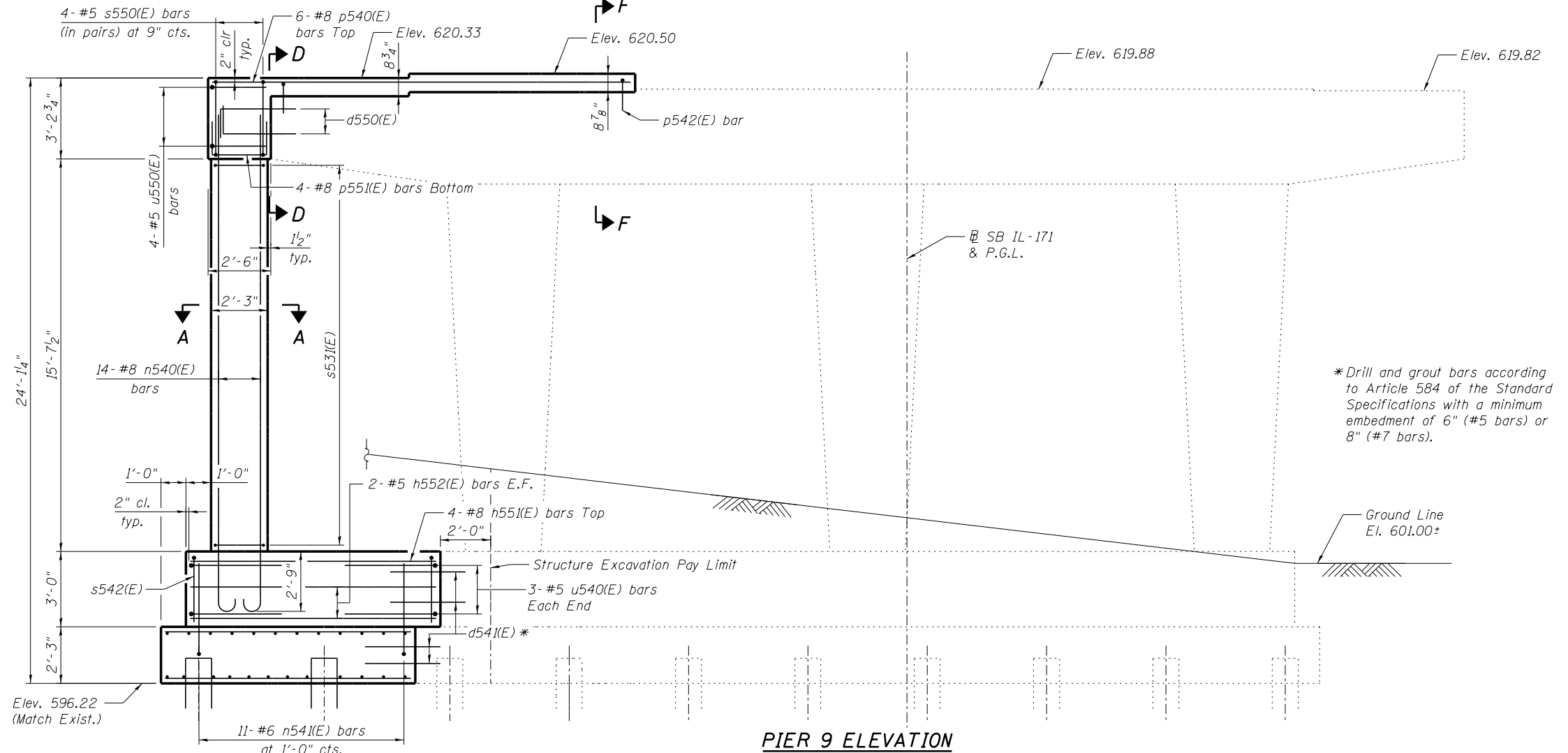
Type: HP12x53 with Pile Shoes
 Nominal Required Bearing: 314 kips
 Allowable Resistance Available: 105 kips
 Est. Length: 45 ft
 No. Production Piles: 3
 No. Test Piles: 1

NOTES:

1. Pour steps monolithically with cap.
2. See Sheet SG87 for Section A-A, Section D-D, and Section F-F.
3. See Sheet SG6 for pile layout.
4. See Sheet SG88 for Bar Bends and Bill of Material.

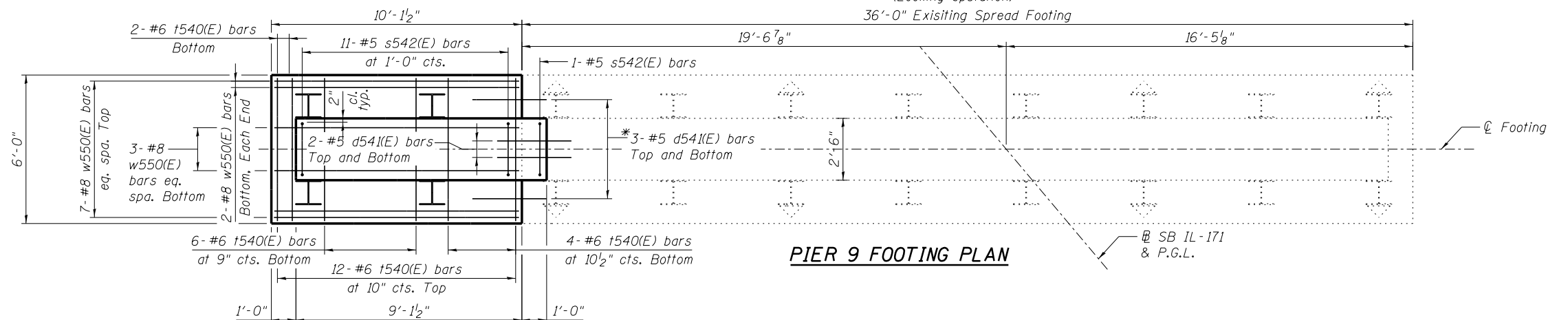


PIER 9 TOP PLAN



PIER 9 ELEVATION

(Looking Upstation)
 36'-0" Existing Spread Footing



PIER 9 FOOTING PLAN

*Drill and grout bars according to Article 584 of the Standard Specifications with a minimum embedment of 6" (#5 bars) or 8" (#7 bars).

benesch
 engineers · scientists · planners
 Alfred Benesch & Company
 205 North Michigan Avenue, Suite 2400
 Chicago, Illinois 60601
 312-565-0450 Job No. 10093

| | | | |
|---|----------------------|----------------|----------|
| FILE NAME = | USER NAME = jsurber | DESIGNED - AWH | REVISD - |
| | | CHECKED - AJK | REVISD - |
| | | DRAWN - KMS | REVISD - |
| | | CHECKED - AJK | REVISD - |
| 0160486.60J16.086.Pier.9.Widening.Details | PLOT SCALE = | | |
| | PLOT DATE = 8/6/2014 | | |

STATE OF ILLINOIS
DEPARTMENT OF TRANSPORTATION

PIER 9 WIDENING DETAILS
STRUCTURE NO. 016-0486

SHEET NO. SG86 OF SG100 SHEETS

| | | | | |
|---------------------------|-------------|--------|--------------|-----------|
| F.A.P. RTE. | SECTION | COUNTY | TOTAL SHEETS | SHEET NO. |
| 373 | 2013-038B-R | COOK | 821 | 676 |
| CONTRACT NO. | | | 60J16 | |
| ILLINOIS FED. AID PROJECT | | | | |