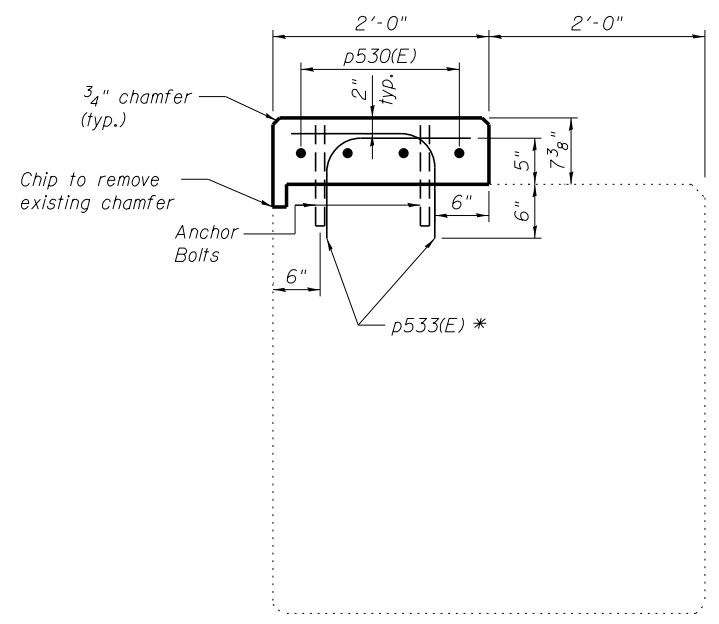


**SECTION A-A**

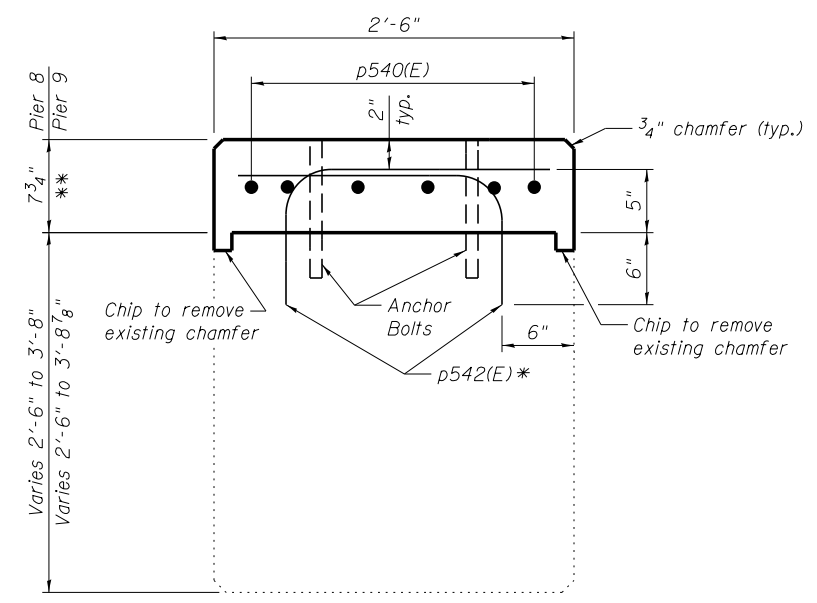
**SECTION B-B**

**SECTION C-C**

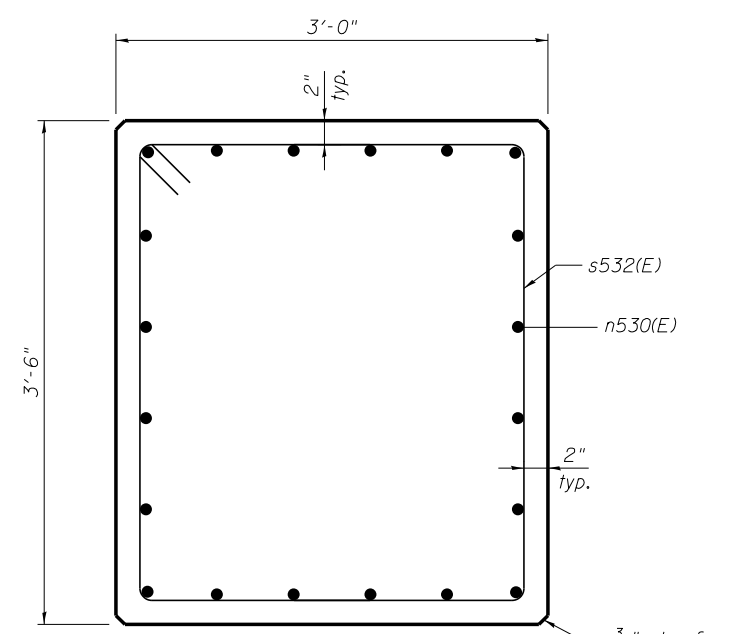
**SECTION D-D**



**SECTION E-E**



**SECTION F-F**



**SECTION G-G**

\*Space bars to miss anchor bolts

\*\*Varies 8 3/4" to 8 7/8"

FILE NAME =	USER NAME = jsurber	DESIGNED - AWH	REVISED -
0160486.60J16.087.Pier.7.8.9.Sections.dgn	PLOT SCALE =	CHECKED - AJK	REVISED -
	PLOT DATE = 8/6/2014	DRAWN - KMS	REVISED -
		CHECKED - AJK	REVISED -

F.A.P. RTE.	SECTION	COUNTY	TOTAL SHEETS	SHEET NO.
373	2013-038B-R	COOK	821	677
CONTRACT NO.			60J16	
ILLINOIS FED. AID PROJECT				