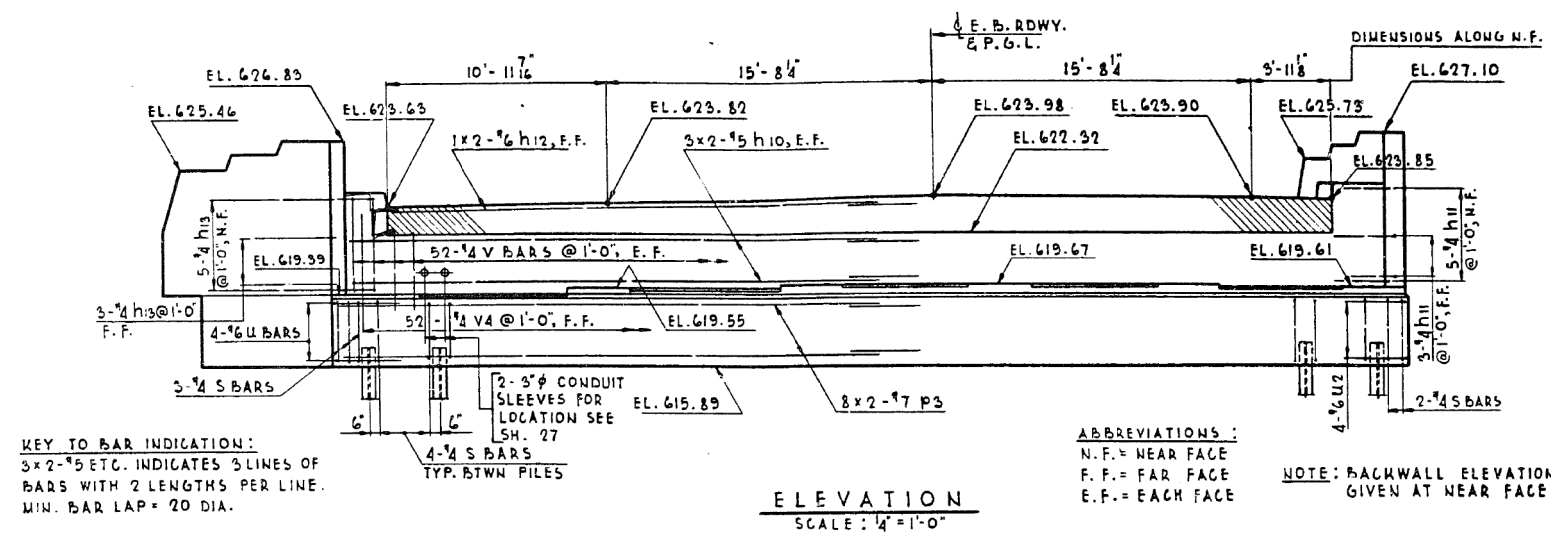
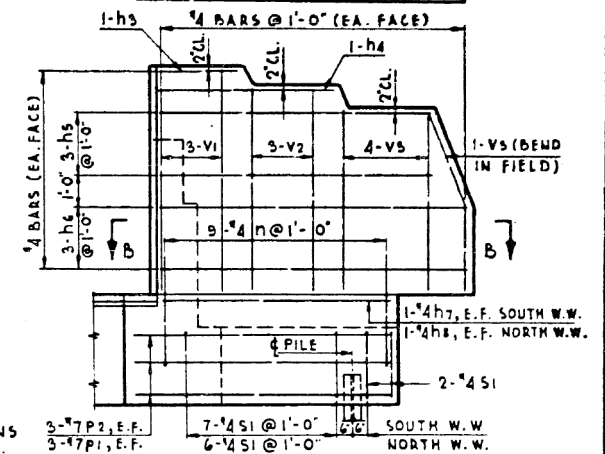


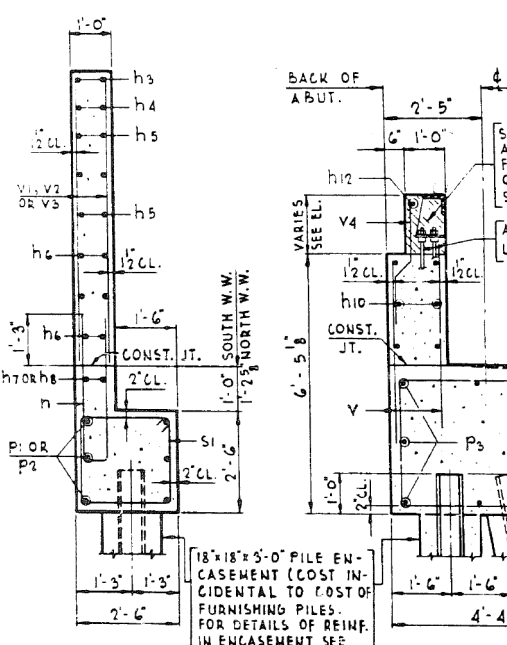
WING WALL ELEVATION
DIMENSIONS
SCALE: 3/8" = 1'-0"



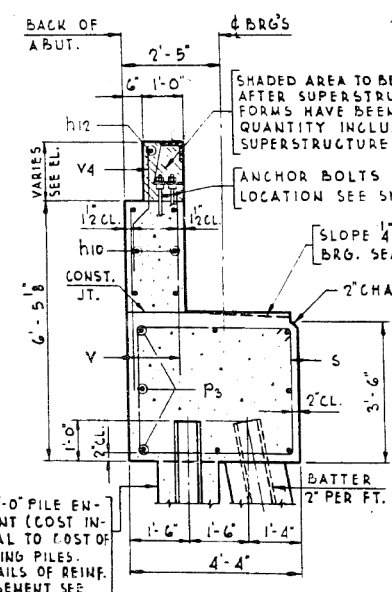
ELEVATION
SCALE: 1/4" = 1'-0"



WING WALL ELEVATION
REINFORCEMENT
SCALE: 3/8" = 1'-0"



SECTION A-A
SCALE: 1/2" = 1'-0"

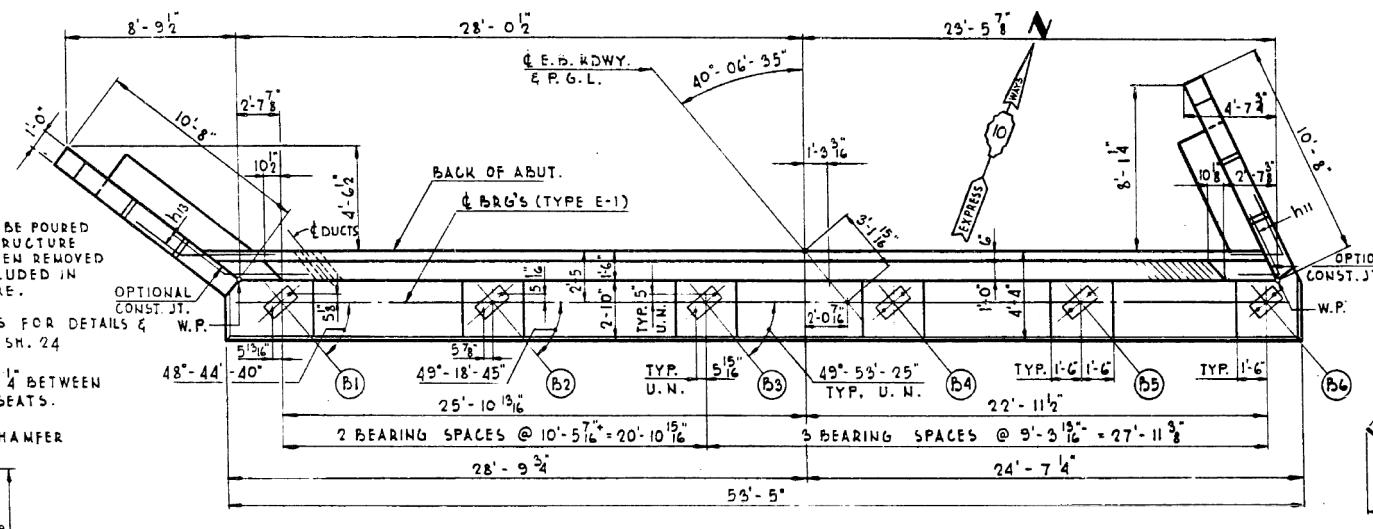


SECTION THRU ABUTMENT
SCALE: 1/2" = 1'-0"

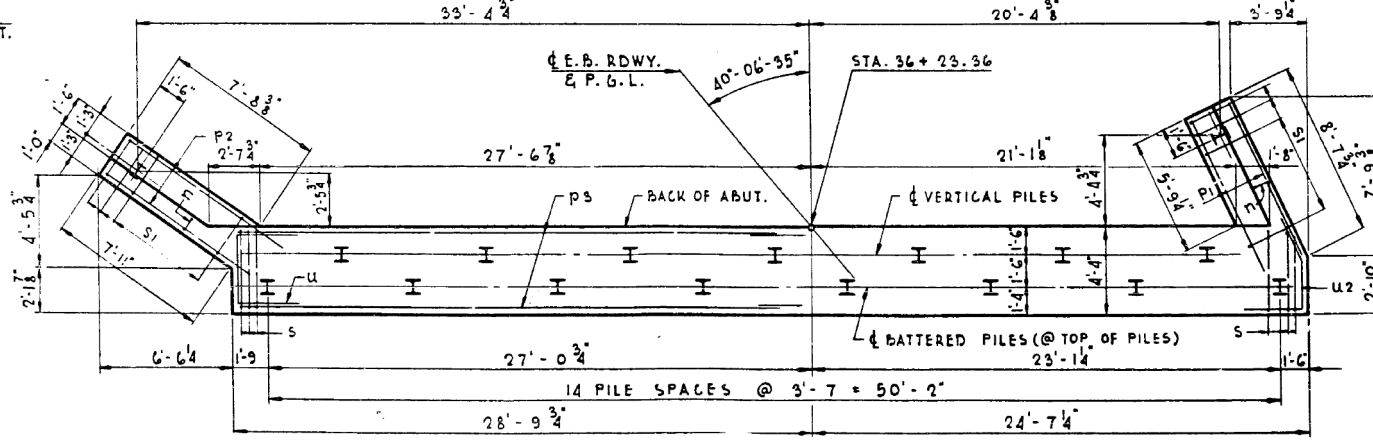
PILE DATA	
PILE TYPE	8 BP 36
MIN. CAPACITY TONS	30
NO. REQUIRED	17*
EST. LENGTH FEET	38

* INCLUDING TEST PILE.

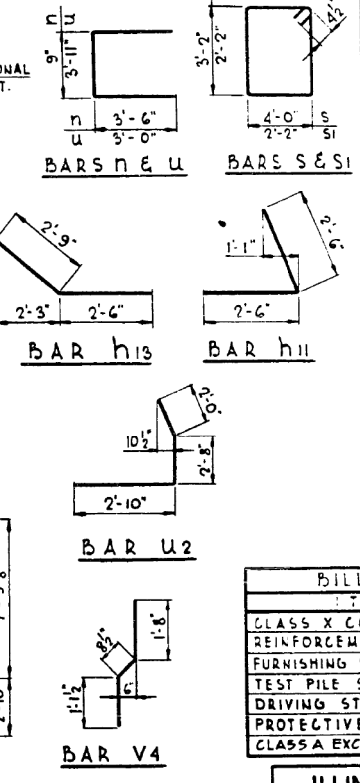
DE LEUW, CATHAR & CO. ENGINEERS
DESIGNED BY J.C. BROZ
DRAWN BY F. BOBINAS
CHECKED BY S. MARTINS
APPROVED L.N. RIAN



TOP VIEW
SCALE: 1/4" = 1'-0"



PLAN PILE CAP
SCALE: 1/4" = 1'-0"



BAR LIST				
BAR NO.	SIZE	LENGTH	SHAPE	
h3	4	4	2'-6"	
h4	4	4	5'-9"	
h5	12	4	9'-0"	
h6	12	4	10'-3"	
h7	2	4	8'-9"	
h8	2	4	8'-3"	
h10	12	5	25'-6"	
h11	8	5	5'-0"	
h12	2	6	23'-9"	
h13	8	5	5'-3"	
n	18	4	7'-9"	
P1	6	7	8'-0"	
P2	6	7	9'-3"	
P3	16	7	27'-6"	
s	61	4	15'-1"	
S1	17	4	9'-5"	
u	4	6	9'-11"	
u2	4	6	7'-6"	
v	104	4	4'-6"	
V1	12	4	7'-5"	
V2	12	4	6'-6"	
V3	20	4	5'-9"	
V4	32	4	3'-6"	

BILL OF MATERIAL		
ITEM	UNIT	QUANTITY
CLASS X CONCRETE	CU YD.	48.9
REINFORCEMENT BARS	POUND	5559
FURNISHING STEEL PILES 8BP36	LIN. FT.	608
TEST PILE STEEL 8BP36	EACH	1
DRIVING STEEL PILES	LIN. FT.	608
PROTECTIVE COAT *	SR YD	8
CLASS A EXCAV. FOR STRUCT.	CU YD.	81

ILLINOIS DIVISION OF HIGHWAYS
SOUTHWEST EXPRESSWAY
LAWDALE AVE. OVER 1/2 AMP E
S.W. ABUTMENT-EASTBOUND BRIDGE.
SCALE: AS NOTED

JOB NO. 1179