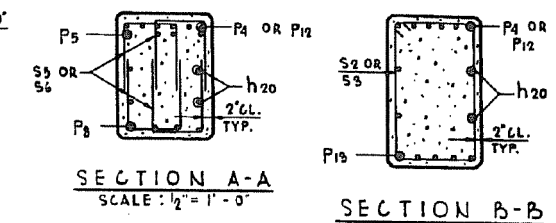
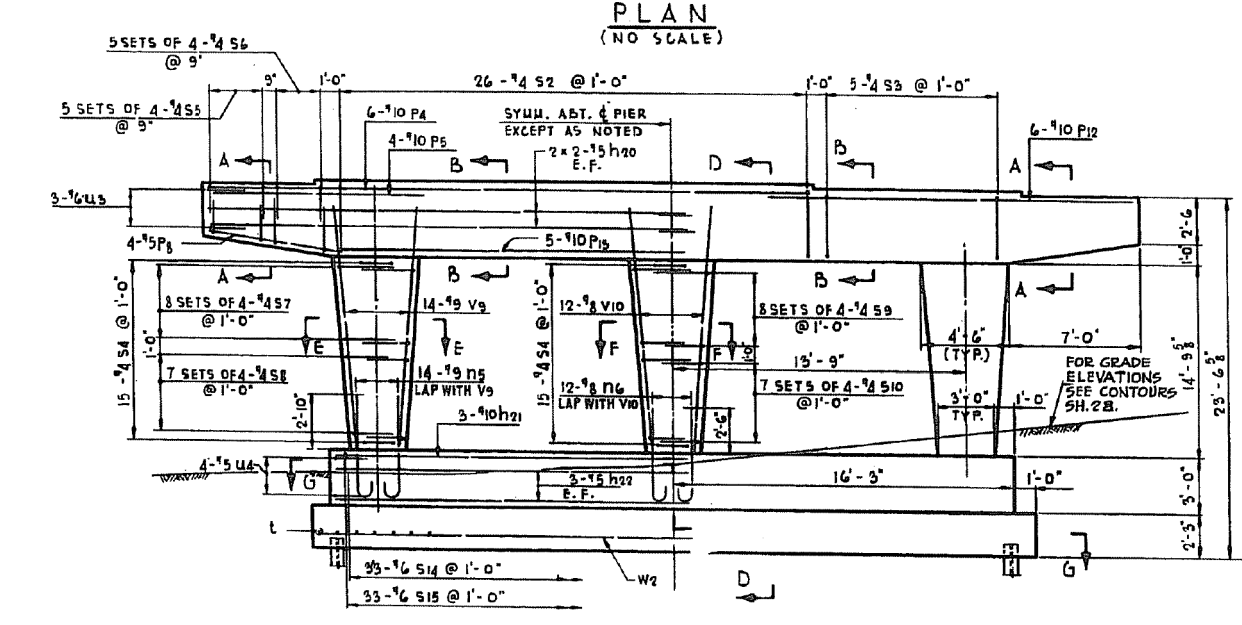


BEAM	A	B
B1	5 1/2"	5 1/2"
B2	5 1/2"	5 1/2"
B3 THRU B6	5 1/2"	5"

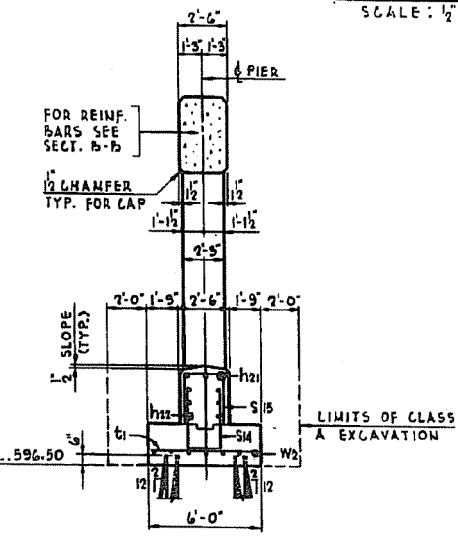
NOTE:  
FOR ANCHOR BOLT PROJECTION SEE SM. 25  
SPACE REINFORCEMENT IN CAP TO MISS ANCHOR BOLTS.  
ALL EDGES TO HAVE STD. 3/4" CHAMFER EXCEPT AS NOTED.  
POUR STEPS MONOLITHICALLY WITH PIER CAP.

KEY TO BAR INDICATION:  
5x2-#10 ETC. MEANS 5 LINES OF BARS WITH 2 LENGTHS PER LINE.  
MIN. BAR LAP = 20 DIA.



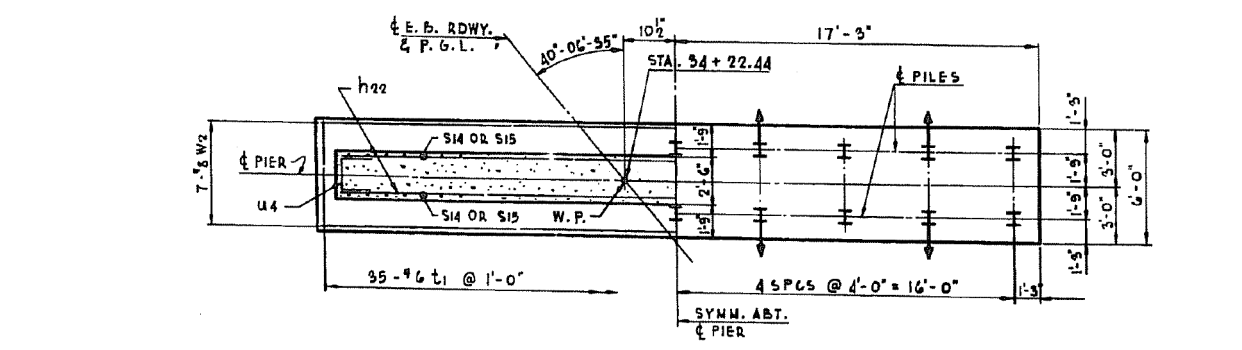
BAR	E	F
S2	5'-4"	2'-2"
S3	3'-2"	2'-2"
S4	1'-2"	1'-11"

BAR S2, S3 & S4



BAR	C	D
S5	2'-0"	1'-4"
S6	2'-3"	1'-4"
S7	2'-7"	1'-6"
S8	2'-4"	1'-6"
S9	2'-7"	1'-4"
S10	2'-4"	1'-4"
S14	3'-4"	2'-2"
S15	2'-10"	2'-2"
U3	2'-0"	2'-1"
U4	1'-6"	2'-1"

BAR S5 THRU S10, S14, S15 U3 & U4



PILE DATA	
PILE TYPE	8BP36
MIN. CAPACITY TONS	30
NO. REQUIRED	18*
EST. LENGTH FEET	21
CUT OFF ELEV.	597.00

\*INCLUDES 1 TEST PILE

BILL OF MATERIAL		
ITEM	UNIT	QUANTITY
CLASS A EXCAVATION	CU YD	84
CLASS X CONCRETE	CU YD	95.7
REINFORCEMENT BARS	POUND	9653
FURNISHING STEEL PILES 8BP36	LIN FT	397
TEST PILE STEEL 8BP36	EACH	1
DRIVING STEEL PILES	LIN FT	957

BAR	G	K
N5	1'-9"	5'-8"
N6	1'-1"	5'-4"

BAR N5 & N6

ALL BAR DIMENSIONS ARE OUT TO OUT. PREFIX ALL BAR MARKS FOR SHIPMENT WITH A NUMBER INDICATING THE PIER WHERE THE BARS WILL BE USED. EXAMPLE: 8P12 MEANS BARS P12 FOR PIER 8.

DE LEUW, CATHY & CO. ENGINEERS  
DESIGNED BY T. N. HUO  
DRAWN BY E. BOBINAS  
CHECKED BY E. BOBINAS  
IN CHARGE E. S. MARTINS  
APPROVED L. N. RIAN

JOB NO. 1179

ILLINOIS DIVISION OF HIGHWAYS  
SOUTHWEST EXPRESSWAY  
LAWDALE AVE. OVER RAMP E  
PIER 8  
SCALE: AS NOTED DATE