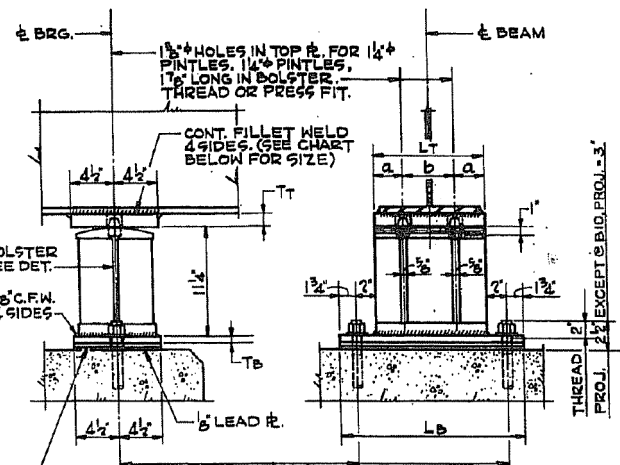


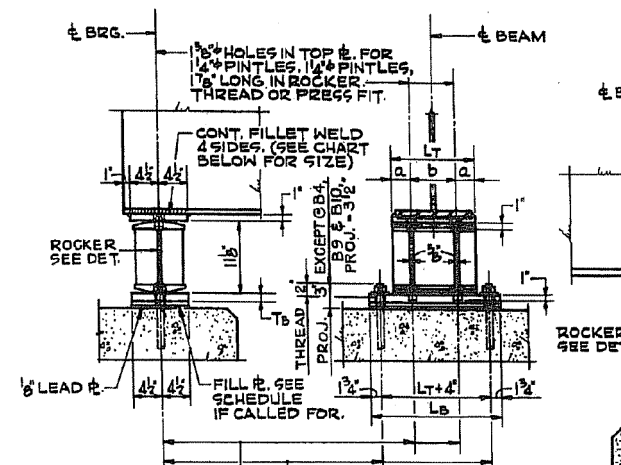
TYPE	NO. REQ'D	LT	LB	C.F.W.	Tt	a	b	c	TOTAL WEIGHT*
NONE									

FIXED BEARINGS AT ABUTMENTS  
SCALE: 1"=1'-0"



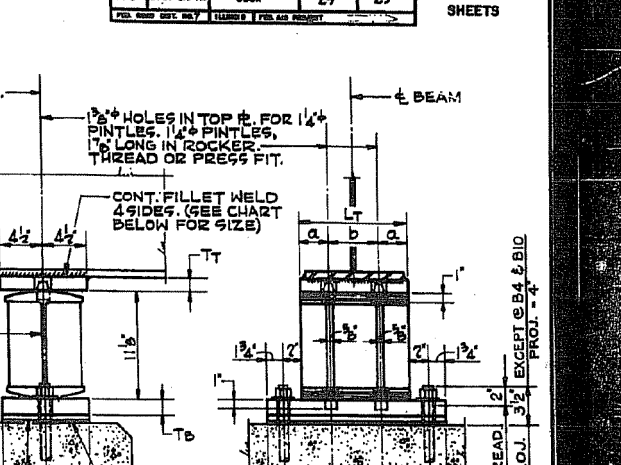
TYPE	NO. REQ'D	LT	LB	Tt	Tb	a	b	c	C.F.W.	TOTAL WEIGHT*
F2	6	11 1/2'	1'-7"	1 3/8"	3 3/4"	3'	5 1/2'	1 1/2'		231 LBS.

FIXED BEARINGS AT PIER 20  
BEAM WITHOUT COVER PLATES  
SCALE: 1 1/2"=1'-0"



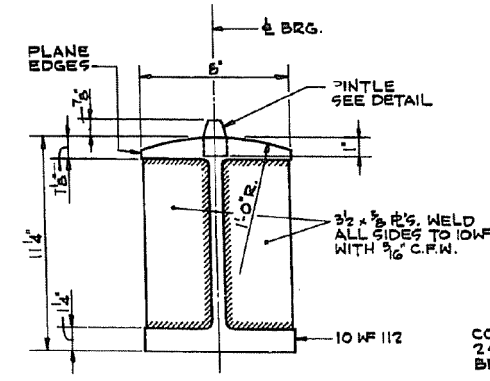
TYPE	NO. REQ'D	LT	LB	C.F.W.	Tt	a	b	TOTAL WEIGHT*
E1	24	11 1/2'	1'-7"	3 3/8"	1 3/8"	3'	5 1/2'	250 LBS.

EXPANSION BEARINGS AT ABUTMENTS  
AND AT PIERS 7 & 18  
SCALE: 1"=1'-0"



TYPE	NO. REQ'D	LT	LB	Tt	Tb	a	b	C.F.W.	TOTAL WEIGHT*
E2	24	11 1/2'	1'-7"	1 3/8"	1 3/4"	3'	5 1/2'	1 1/2'	280 LBS.

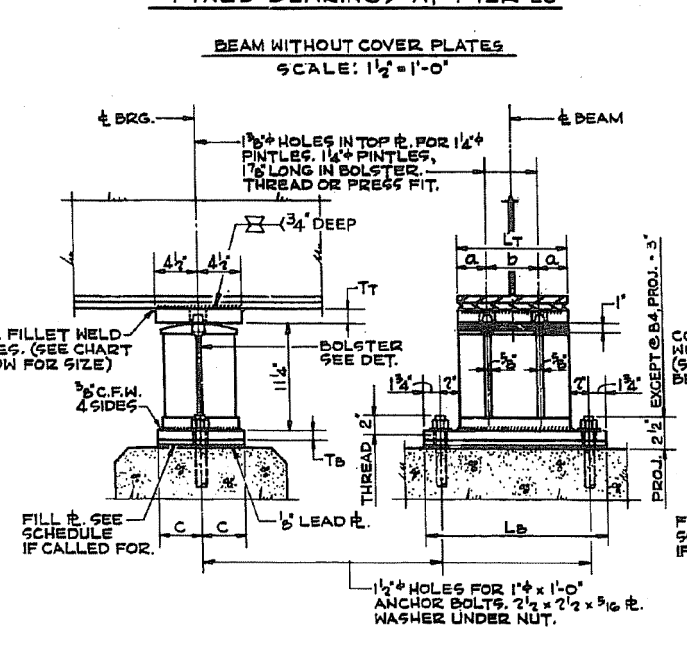
EXPANSION BEARINGS AT PIERS 8, 11, 19 & 21  
BEAM WITHOUT COVER PLATES  
SCALE: 1 1/2"=1'-0"



BOLSTER DETAIL  
SCALE: 3"=1'-0"

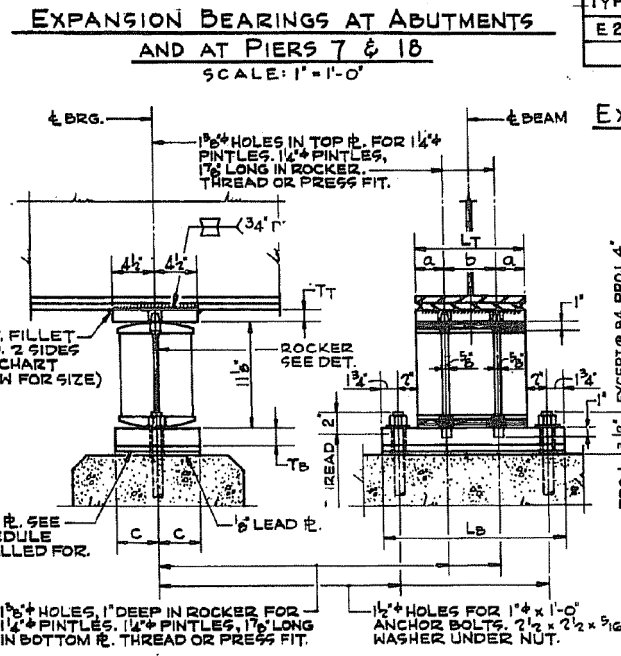
FILL R. SCHEDULE		
LOCATION	BEAM	FILL R. THICKNESS
E.B. ROADWAY, ALL SUPPORTS	B4	3 1/4"
	B5	1 1/8"
W.B. ROADWAY, ALL SUPPORTS	B9	5 1/16"
	B10	1 1/2"

TOTAL WEIGHT OF FILL R.'S = 455 LBS.



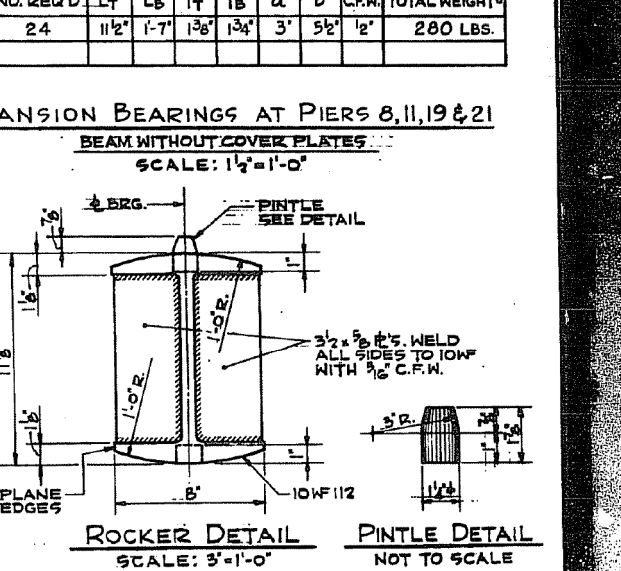
TYPE	NO. REQ'D	LT	LB	Tt	Tb	a	b	c	C.F.W.	TOTAL WEIGHT*
F1	6	10 1/2'	1'-6"	1"	3 3/4"	2 1/2"	5 1/2'	4 1/2'	1 1/2'	207 LBS.

FIXED BEARINGS AT PIER 10  
BEAM WITH COVER PLATES  
SCALE: 1 1/2"=1'-0"



TYPE	NO. REQ'D	LT	LB	Tt	Tb	a	b	c	C.F.W.	TOTAL WEIGHT*
E3	6	10 1/2'	1'-6"	1"	1 3/4"	2 1/2"	5 1/2'	4 1/2'	1 1/2'	253 LBS.

EXPANSION BEARINGS AT PIER 9  
BEAM WITH COVER PLATES  
SCALE: 1 1/2"=1'-0"



ROCKER DETAIL SCALE: 3"=1'-0"  
PINTLE DETAIL NOT TO SCALE

BILL OF MATERIAL		
ITEM	UNIT	QUANTITY
FURNISHING AND ERECTING STRUCTURAL STEEL	POUND	17,321

ILLINOIS DIVISION OF HIGHWAYS  
SOUTHWEST EXPRESSWAY  
LAWDALE AVE. OVER RAMP E  
BEARING DETAILS  
SCALE: AS NOTED DATE

DE LEW, CATHER & CO. ENGINEERS  
DESIGNED BY: E.C. BRIDGEMAN  
DRAWN BY: J.A. CHALKIN  
CHECKED: J.M. MARTIN  
IN CHARGE: E.S. MARTIN  
APPROVED: L.R. BRIAN

\* TOTAL WEIGHT OF ONE ASSEMBLY INCLUDES TOP R., ROCKER OR BOLSTER, BOTTOM R., ANCHOR BOLTS, R. WASHERS AND LEAD R. DOES NOT INCLUDE THE WEIGHT OF ANY FILL R.

JOB NO. 1179