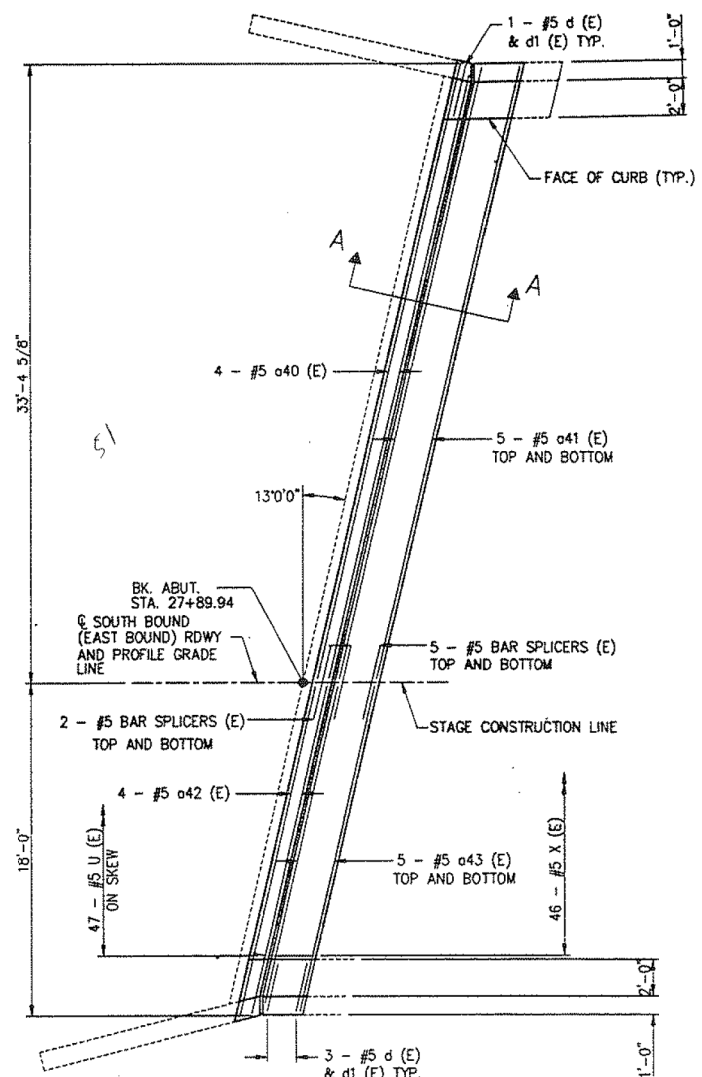
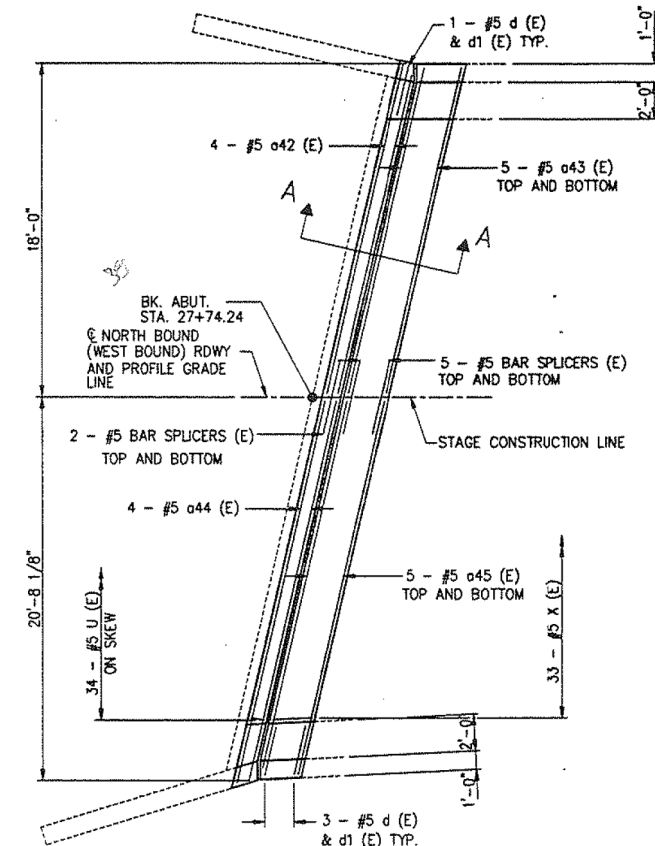


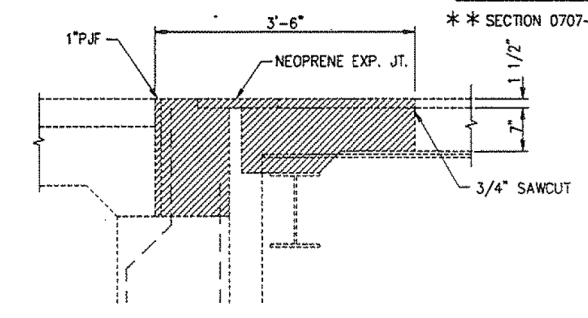
ROUTE NO.	SECTION	COUNTY	TOTAL SHEETS	SHEET NO.
IL 171	**	COOK	383	265
		ILLINOIS	FED. AID PROJECT	



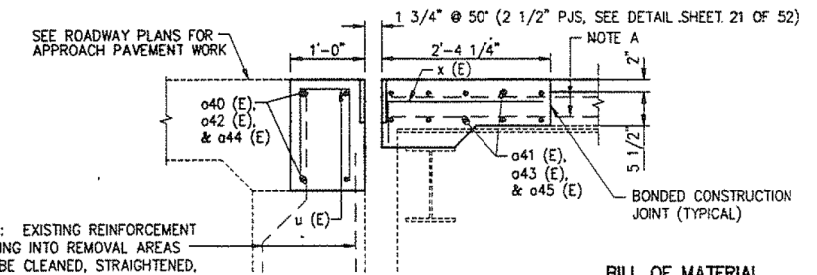
EAST ABUTMENT SOUTH BOUND (EAST BOUND) - PLAN VIEW



EAST ABUTMENT NORTH BOUND (WEST BOUND) - PLAN VIEW



SECTION A-A EXISTING
HATCHED AREAS TO BE REMOVED



SECTION A-A PROPOSED

NOTE A: EXISTING REINFORCEMENT EXTENDING INTO REMOVAL AREAS SHALL BE CLEANED, STRAIGHTENED, AND INCORPORATED INTO THE NEW CONSTRUCTION.

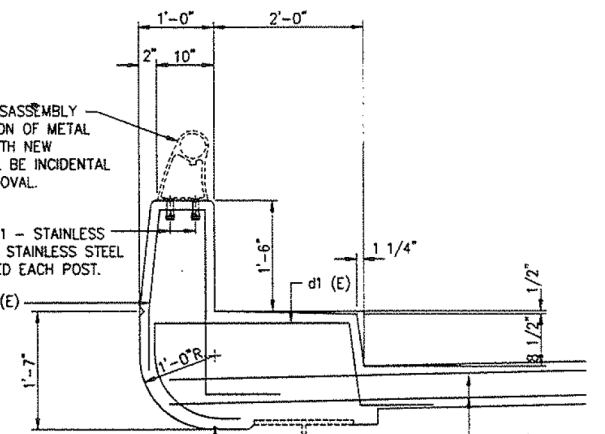
BILL OF MATERIAL

BAR	NO.	SIZE	LENGTH	SHAPE
o40 (E)	4	#5	34'-0"	
o41 (E)	10	#5	33'-9"	
o42 (E)	8	#5	18'-2"	
o43 (E)	20	#5	17'-11"	
o44 (E)	4	#5	20'-11"	
o45 (E)	10	#5	20'-7"	
d (E)	16	#5	6'-0"	U
d1 (E)	16	#5	6'-8"	U
u (E)	81	#5	2'-9"	U
x (E)	79	#5	2'-7"	U
REINFORCEMENT BARS EPOXY COATED		LBS.	1980	
CONCRETE REMOVAL		C.U. YDS.	13.3	
CLASS X CONCRETE SUPERSTRUCTURE		C.U. YDS.	14.0	
STRUCTURAL STEEL		POUND	3750	
BAR SPLICERS		EACH	28	
PREFORMED JOINT SEAL 2 1/2"		LIN. FT.	95	

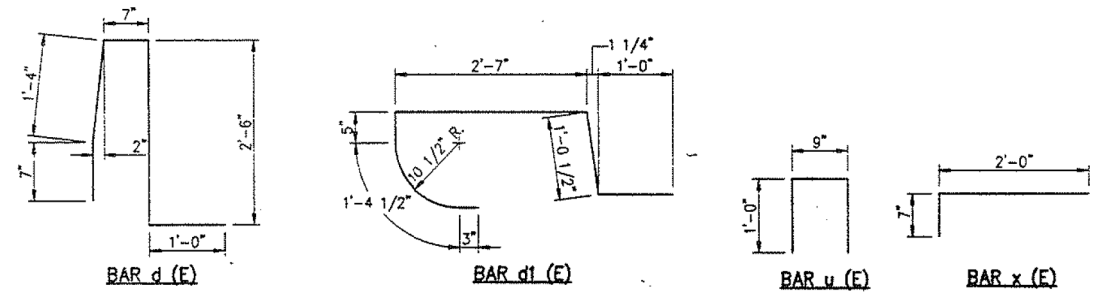
REINFORCEMENT BARS DESIGNATED (E) SHALL BE EPOXY COATED.

NOTE: COST OF DISASSEMBLY AND REINSTALLATION OF METAL RAIL AND POST WITH NEW ANCHORAGE SHALL BE INCIDENTAL TO CONCRETE REMOVAL.

5/8" THREADED INSERTS PROVIDE 1 - STAINLESS STEEL WASHER AND 1 - 5/8" x 2" STAINLESS STEEL BOLT WITH EACH INSERT. 4 REQUIRED EACH POST.



PROPOSED
TYPICAL SECTION AT CURB



10/20/93 05:03:17 P.M. 488-763.DWG 0486 & 0487 PREFORMED JOINT SEAL EAST ABUTMENTS

EXAMINED	1993
PASSED	ENGINEER OF STRUCTURAL SERVICES
APPROVED	ENGINEER OF BRIDGE AND STRUCTURES
	DIRECTOR OF HIGHWAYS

ILLINOIS DEPARTMENT OF TRANSPORTATION
PREFORMED JOINT SEAL
 BRIDGE REPAIRS
 1ST AVE (IL 171) S.N. 016-0486 & 016-0487
 OVER SANITARY & SHIP CANAL AND RAMP "E"
 SECTION 0707-626B (BR)
 F.A.U. RT. 1505
 COOK CO. IL
 STA. 30+72.59
 STA. 35+12.88

USER NAME = tjenicke	DESIGNED - FSM	REVISED -
PLOT SCALE =	CHECKED - RMM	REVISED -
PLOT DATE = 6/23/2014	DRAWN - FSM	REVISED -
	CHECKED - RMM	REVISED -

F.A.P. RTE.	SECTION	COUNTY	TOTAL SHEETS	SHEET NO.
373	2013-038B-R	COOK	821	724
			CONTRACT NO. 60J16	
ILLINOIS FED. AID PROJECT				