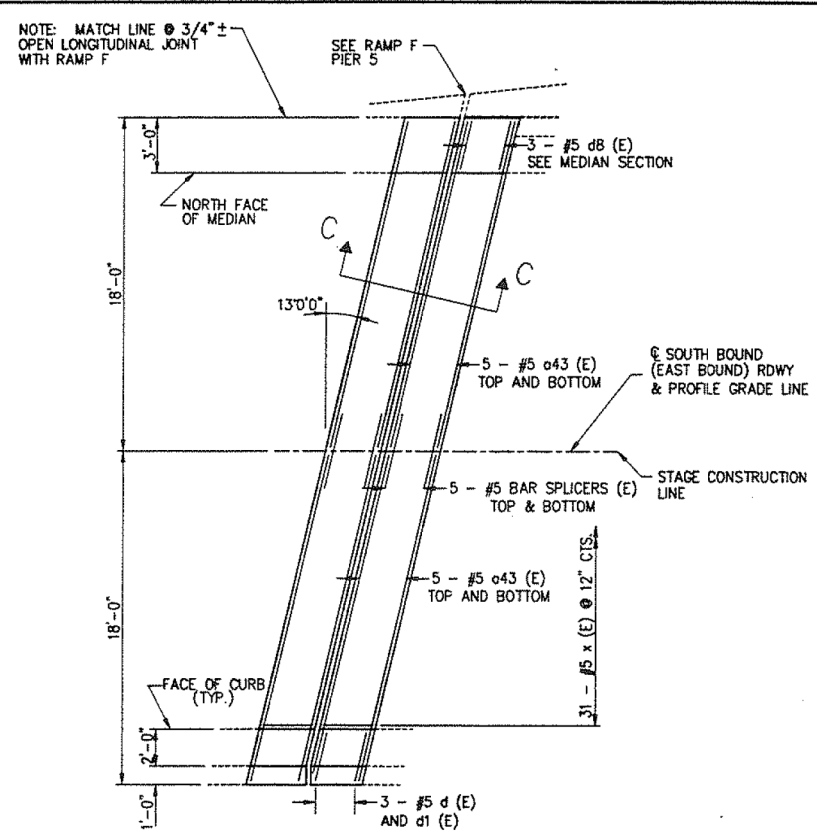
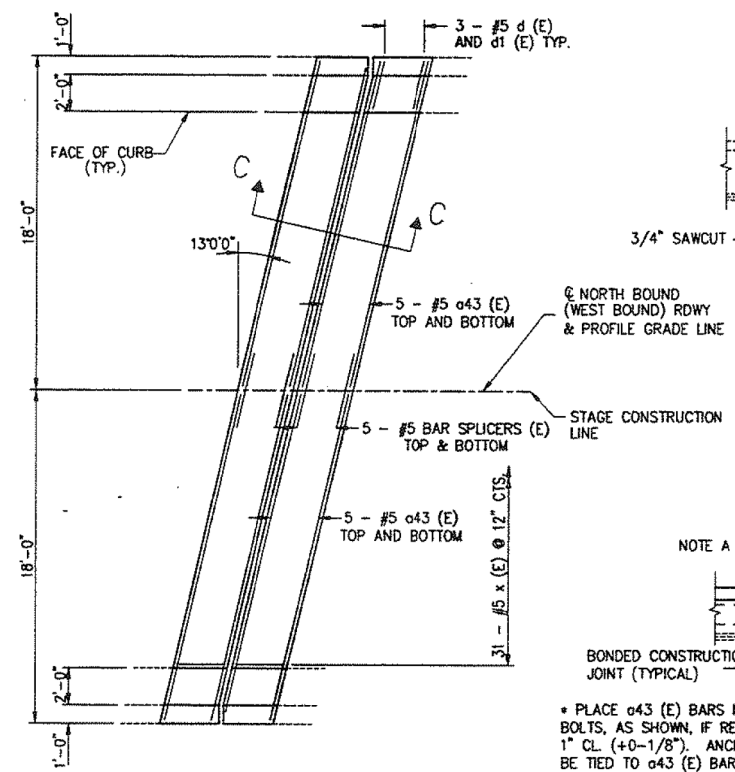


ROUTE NO.	SECTION	COUNTY	TOTAL SHEETS	SHEET NO.
IL 171	**	COOK	383	267
			ILLINOIS	FED. AID PROJEC

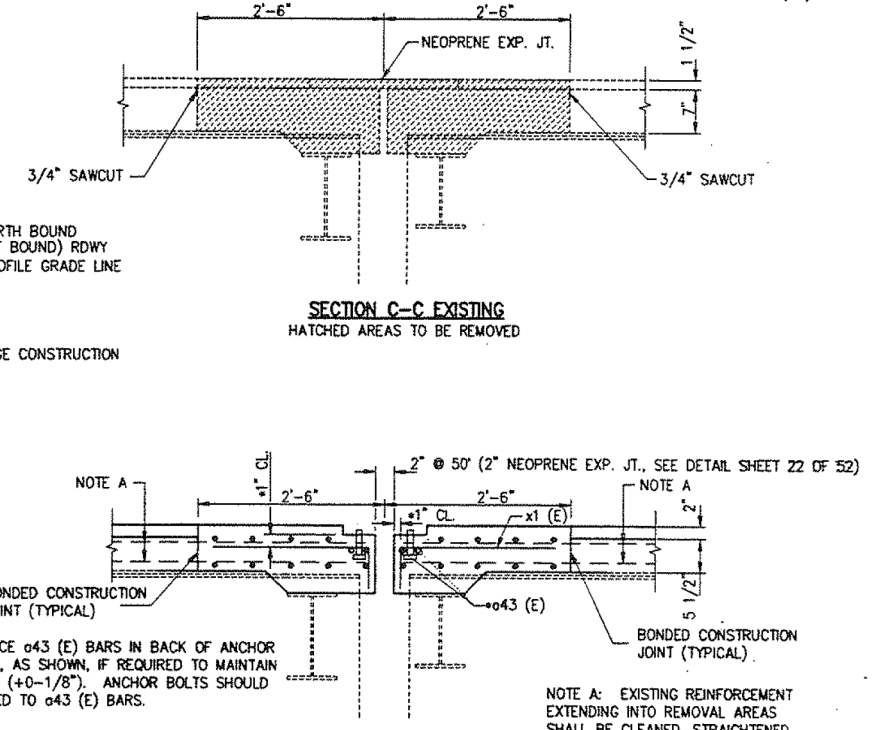
** SECTION 0707-626B (BR)



PIER 5 SOUTH BOUND (EAST BOUND) - PLAN VIEW
NOTE: REINFORCEMENT IS SAME BOTH SIDES OF JOINT

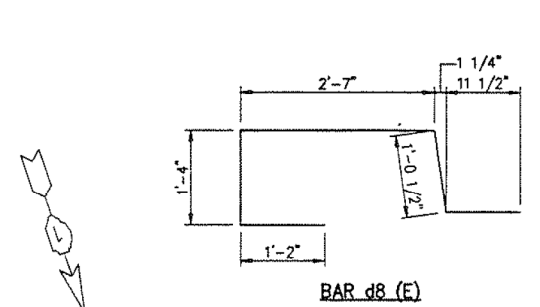


PIER 16 NORTH BOUND (WEST BOUND) - PLAN VIEW
NOTE: REINFORCEMENT IS SAME BOTH SIDES OF JOINT

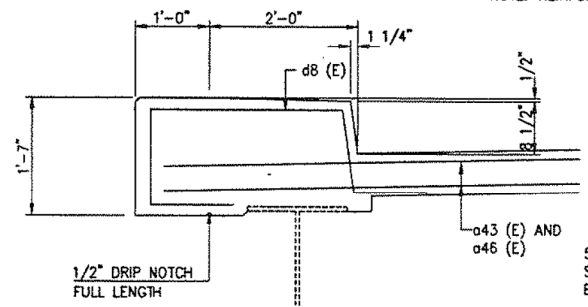


* PLACE o43 (E) BARS IN BACK OF ANCHOR BOLTS, AS SHOWN, IF REQUIRED TO MAINTAIN 1\"/>

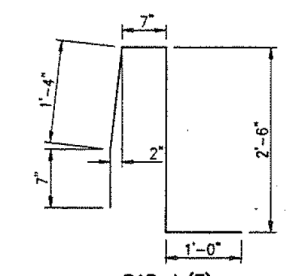
NOTE A: EXISTING REINFORCEMENT EXTENDING INTO REMOVAL AREAS SHALL BE CLEANED, STRAIGHTENED, AND INCORPORATED INTO THE NEW CONSTRUCTION.



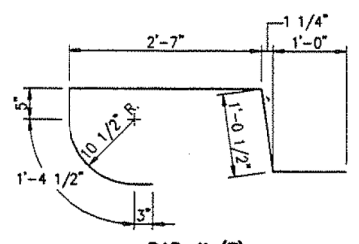
BAR dB (E)



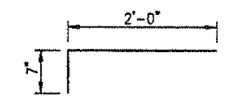
MEDIAN SECTION



BAR d (E)



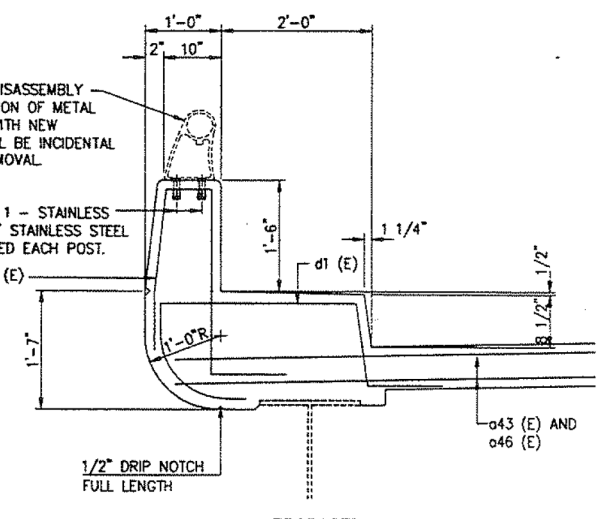
BAR d1 (E)



BAR x (E)

NOTE: COST OF DISASSEMBLY AND REINSTALLATION OF METAL RAIL AND POST WITH NEW ANCHORAGE SHALL BE INCIDENTAL TO CONCRETE REMOVAL.

5/8\"/>



PROPOSED TYPICAL SECTION AT CURB

BILL OF MATERIAL

BAR	NO.	SIZE	LENGTH	SHAPE
o43 (E)	80	#5	17'-11"	
d (E)	18	#5	6'-0"	U
d1 (E)	18	#5	6'-8"	S
dB (E)	6	#5	7'-1"	
x (E)	124	#5	2'-7"	
REINFORCEMENT BARS EPOXY COATED		LBS.		2110
CONCRETE REMOVAL		C.U. YDS.		12.6
CLASS X CONCRETE, SUPERSTRUCTURE		C.U. YDS.		13.1
BAR SPLICERS		EACH		40
NEOPRENE EXPANSION JOINT 2"		LIN. FT.		76

REINFORCEMENT BARS DESIGNATED (E) SHALL BE EPOXY COATED.

ILLINOIS DEPARTMENT OF TRANSPORTATION
NEOPRENE EXPANSION JOINT PIER 5 AND PIER 16
BRIDGE REPAIRS
1ST AVE (IL 171) S.N. 016-0486 & 016-D487
OVER SANITARY & SHIP CANAL AND RAMP "E"
F.A.U. RT. 1505
COOK CO. IL
STA. 30+72.59
STA. 35+12.88
SECTION 0707-626B (BR)

11/30/03 07:04:14 P.M. NE:SP16.DWG 0486 & 0487 NEOPRENE EXPANSION JOINTS PIERS 5 AND 16

1993
EXAMINED _____
ENGINEER OF STRUCTURAL SERVICES
PASSED _____
ENGINEER OF BRIDGE AND STRUCTURES
APPROVED _____
DIRECTOR OF HIGHWAYS

DESIGNED - FSM	REVISD -
CHECKED - RMM	REVISD -
DRAWN - FSM	REVISD -
CHECKED - RMM	REVISD -

F.A.P. RTE.	SECTION	COUNTY	TOTAL SHEETS	SHEET NO.
373	2013-038B-R	COOK	821	726
				CONTRACT NO. 60J16
ILLINOIS FED. AID PROJECT				