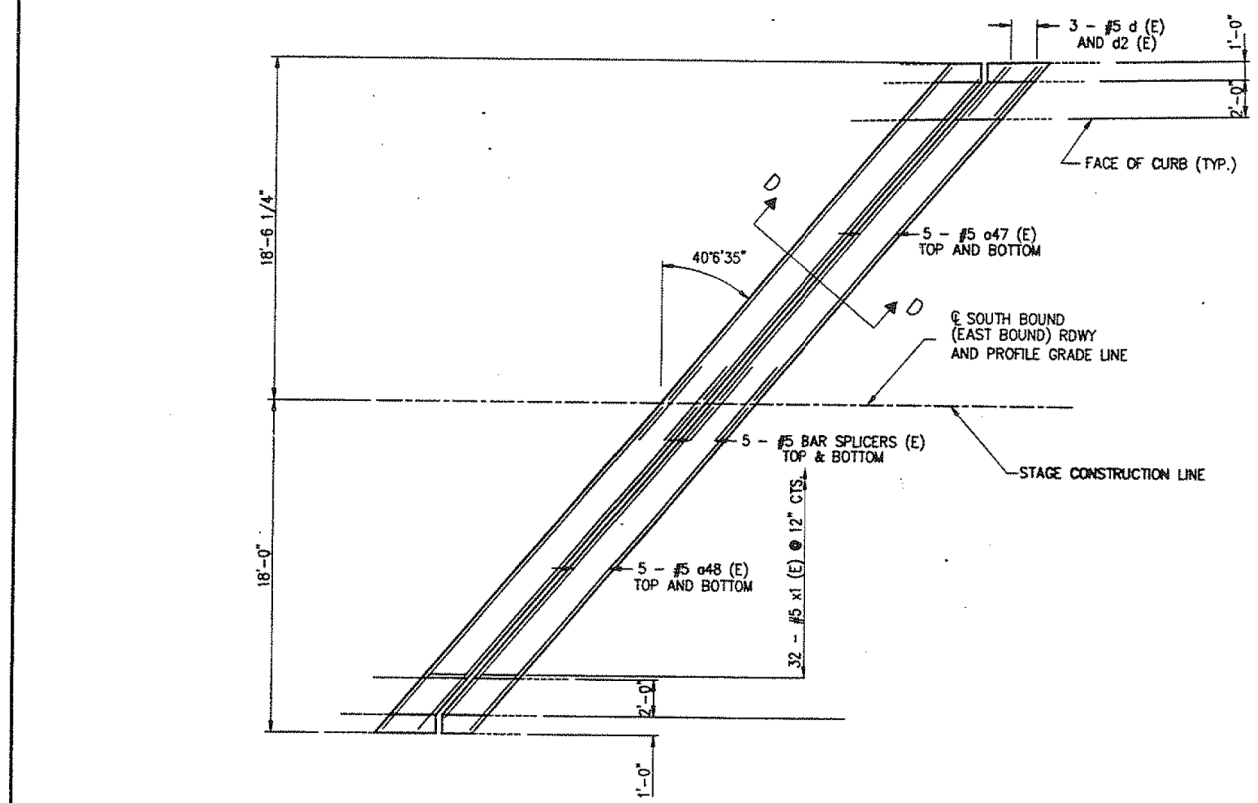


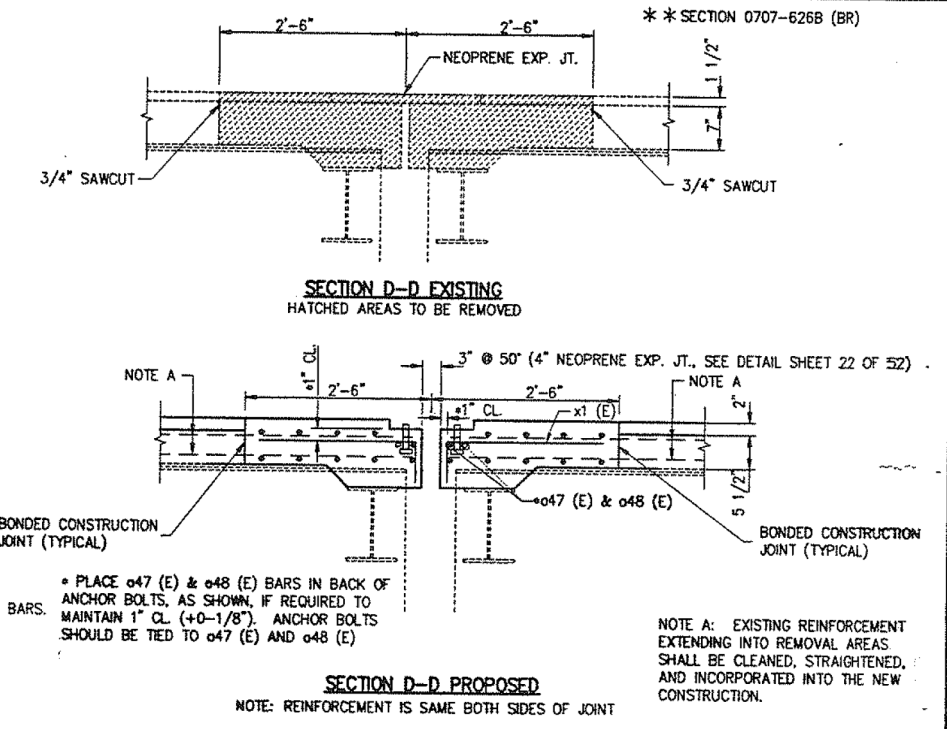
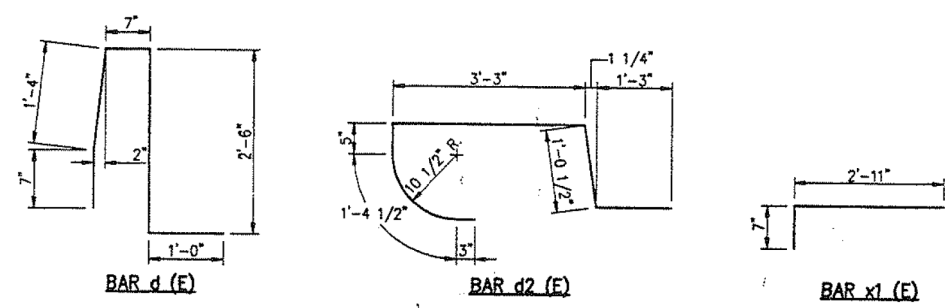
ROUTE NO.	SECTION	COUNTY	TOTAL SHEETS	SHEET NO.
IL 171	**	COOK	905	266
ILLINOIS			FED. AID PROJECT	



PIER 7 SOUTH BOUND (EAST BOUND: S.N. 016-0486) - PLAN VIEW
NOTE: REINFORCEMENT IS SAME BOTH SIDES OF JOINT

10/29/93 02:59:45 P.M. NEP7.DWG
0486 & 0487 NEOPRENE EXPANSION JOINT - PIER 7

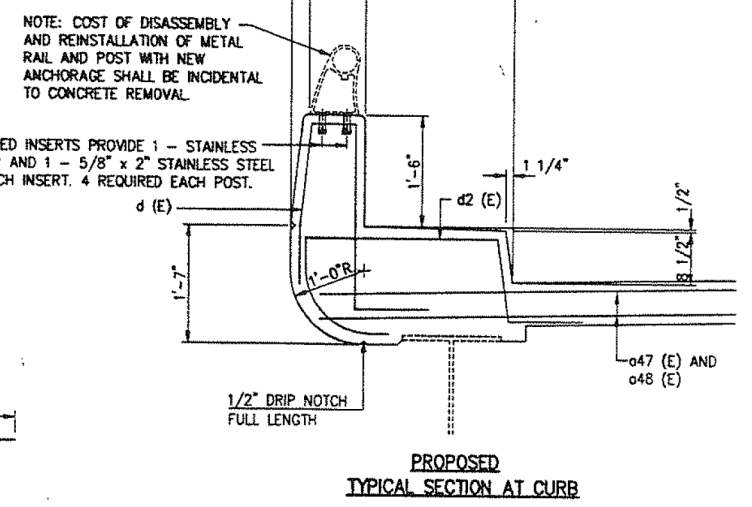
1993
EXAMINED
ENGINEER OF STRUCTURAL SERVICES
PASSED
ENGINEER OF BRIDGE AND STRUCTURES
APPROVED
DIRECTOR OF HIGHWAYS



BILL OF MATERIAL

BAR	NO.	SIZE	LENGTH	SHAPE	
o47 (E)	20	#5	23'-6"		
o48 (E)	20	#5	22'-10"		
d (E)	12	#5	6'-0"	U	
d2 (E)	12	#5	7'-7"	U	
x1 (E)	64	#5	3'-6"		
REINFORCEMENT BARS EPOXY COATED.				LBS.	1370
CONCRETE REMOVAL				C.U. YDS.	8.3
CLASS X CONCRETE, SUPERSTRUCTURE				C.U. YDS.	8.6
BAR SPlicERS				EACH	20
NEOPRENE EXPANSION JOINT 4"				LIN. FT.	48

REINFORCEMENT BARS DESIGNATED (E) SHALL BE EPOXY COATED.



ILLINOIS DEPARTMENT OF TRANSPORTATION
NEOPRENE EXPANSION JOINT
PIER 7
BRIDGE REPAIRS
1ST AVE (IL171) S.N. 016-0486 & 016-0487
OVER SANITARY & SHIP CANAL
AND RAMP "E"
SECTION 0707-626B (BR)

F.A.U. RT. 1505
COOK CO. IL
STA. 30+72.59
STA. 35+12.88

FILE NAME =	USER NAME = tjenicke	DESIGNED - FSM	REVISED -
		CHECKED - RMM	REVISED -
		DRAWN - FSM	REVISED -
		CHECKED - RMM	REVISED -
PLOT SCALE =			
PLOT DATE = 6/23/2014			

F.A.P. RTE.	SECTION	COUNTY	TOTAL SHEETS	SHEET NO.
373	2013-038B-R	COOK	821	727
ILLINOIS			FED. AID PROJECT	
				CONTRACT NO. 60J16