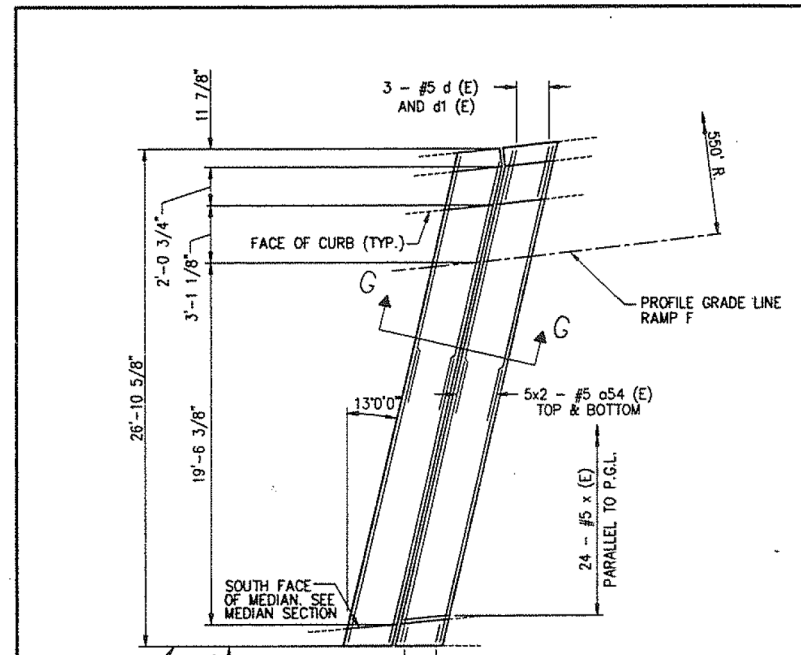
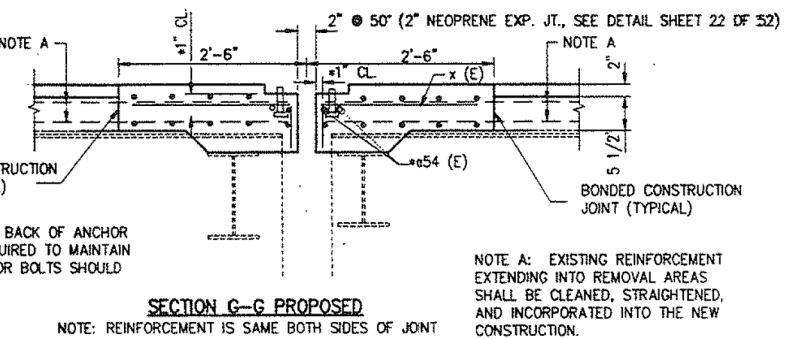
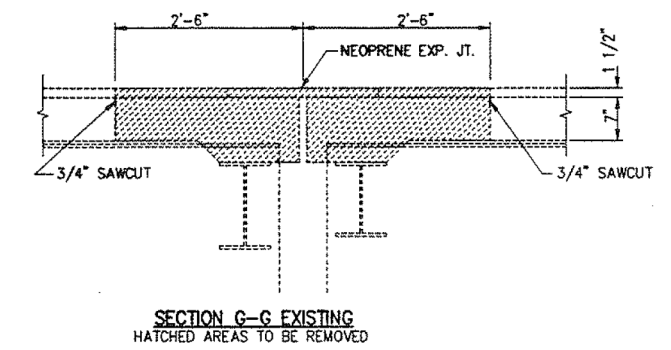
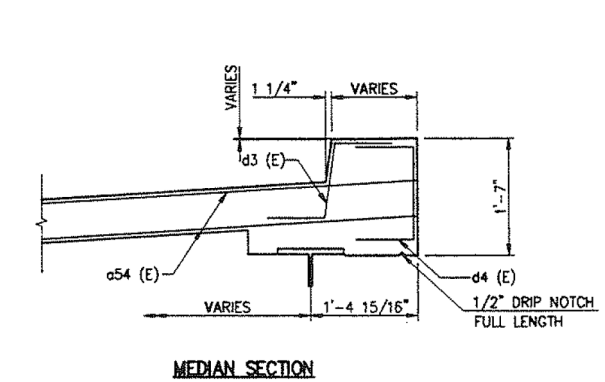
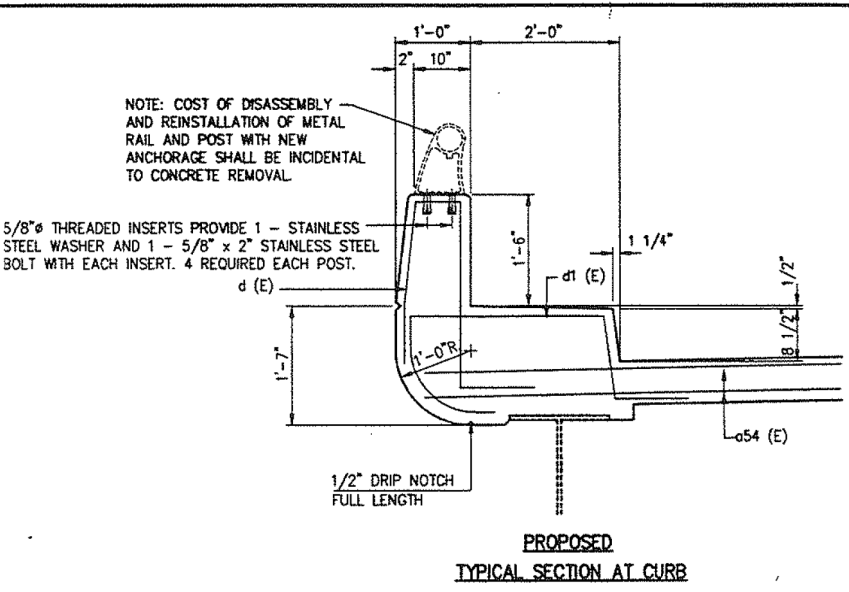


ROUTE NO.	SECTION	COUNTY	TOTAL SHEETS	SHEET NO.
IL 171	**	COOK	963	871
		ILLINOIS	FED. AID PROJECT	



**RAMP F PIER 5 - PLAN VIEW**  
 NOTE: REINFORCEMENT IS SAME BOTH SIDES OF JOINT EXCEPT AS NOTED  
 NOTE: MATCH LINE WITH S. BOUND (E. BOUND) LANES AT 3/4" ± OPEN LONGITUDINAL JT.



**BILL OF MATERIAL**

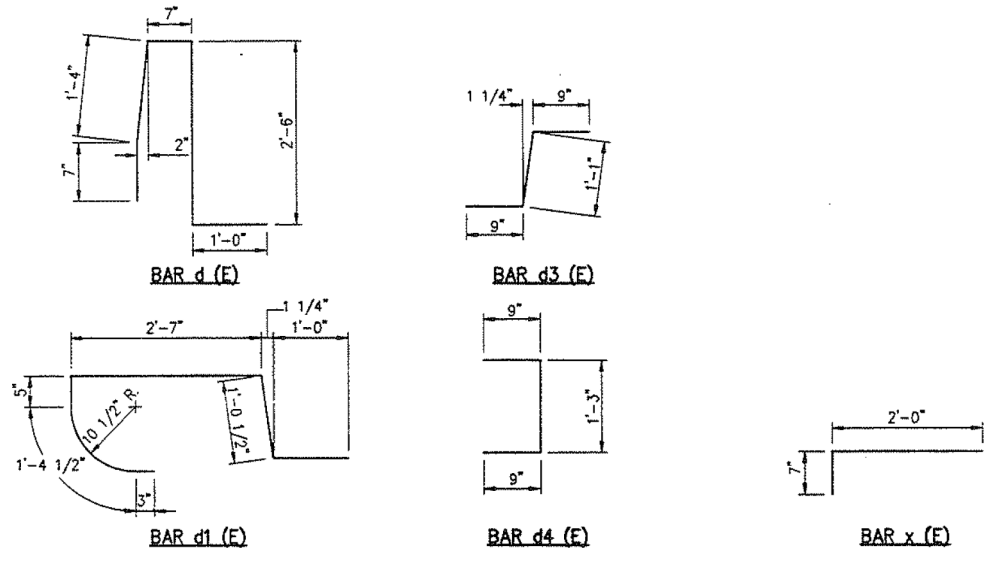
BAR	NO.	SIZE	LENGTH	SHAPE
a54 (E)	40	#5	15'-0"	
d (E)	6	#5	6'-0"	11
d1 (E)	5	#5	6'-8"	11
d3 (E)	6	#5	2'-7"	11
d4 (E)	6	#5	2'-9"	11
x (E)	48	#5	2'-7"	11
REINFORCEMENT BARS EPOXY COATED.				LBS. 870
CONCRETE REMOVAL				C.U. YDS. 4.7
CLASS X CONCRETE, SUPERSTRUCTURE				C.U. YDS. 4.8
NEOPRENE EXPANSION JOINT 2"				LIN. FT. 28

REINFORCEMENT BARS DESIGNATED (E) SHALL BE EPOXY COATED.  
 BARS INDICATED "5x2 - #5 ETC." INDICATES 5 LINES OF BARS WITH 2 LENGTHS PER LINE.

ILLINOIS DEPARTMENT OF TRANSPORTATION  
**NEOPRENE EXPANSION JOINT**  
**RAMP F - PIER 5**  
 BRIDGE REPAIRS  
 1ST AVE (IL 171) S.N. 016-0486 & 016-0487  
 OVER SANITARY & SHIP CANAL  
 AND RAMP "E"  
 SECTION 0707-626B (BR)  
 F.A.U. RT. 1505  
 COOK CO. IL  
 STA. 30+72.59  
 STA. 35+12.88

10/28/93 05:25:59 P.M. REFERS TO: URBAN & 0167 NEOPRENE EXPANSION JOINT RAMP F PIER 5

1993  
 EXAMINED \_\_\_\_\_  
 ENGINEER OF STRUCTURAL SERVICES  
 PASSED \_\_\_\_\_  
 ENGINEER OF BRIDGE AND STRUCTURES  
 APPROVED \_\_\_\_\_  
 DIRECTOR OF HIGHWAYS



**benesch**  
 engineers - scientists - planners  
 Alfred Benesch & Company  
 205 North Michigan Avenue, Suite 2400  
 Chicago, Illinois 60601  
 312-565-0450 Job No. 10093

FILE NAME =	USER NAME = tjenicke	DESIGNED - FSM	REVISED -
0160486.60J16.X39.exist.93.rampfp5.dgn	PLOT SCALE =	CHECKED - RMM	REVISED -
	PLOT DATE = 6/23/2014	DRAWN - FSM	REVISED -
		CHECKED - RMM	REVISED -

STATE OF ILLINOIS  
 DEPARTMENT OF TRANSPORTATION

EXISTING PLANS (1993) - EXPANSION JOINT RAMP F PIER 5  
 STRUCTURE NO. 016-0486  
 SHEET NO. SGX39 OF SGX48 SHEETS

FOR INFORMATION ONLY

F.A.P. RTE.	SECTION	COUNTY	TOTAL SHEETS	SHEET NO.
373	2013-038B-R	COOK	821	729
			CONTRACT NO. 60J16	
ILLINOIS FED. AID PROJECT				

X:\100005\10093\Eng\_Docs\_Phase\_1\11\SN\_016\_0486\_0487\_1st\_Ave\_cover\_Conc\Final\Final\_0486\0160486\_60J16.X39.exist.93.rampfp5.dgn 3:00:14 PM 6/23/2014