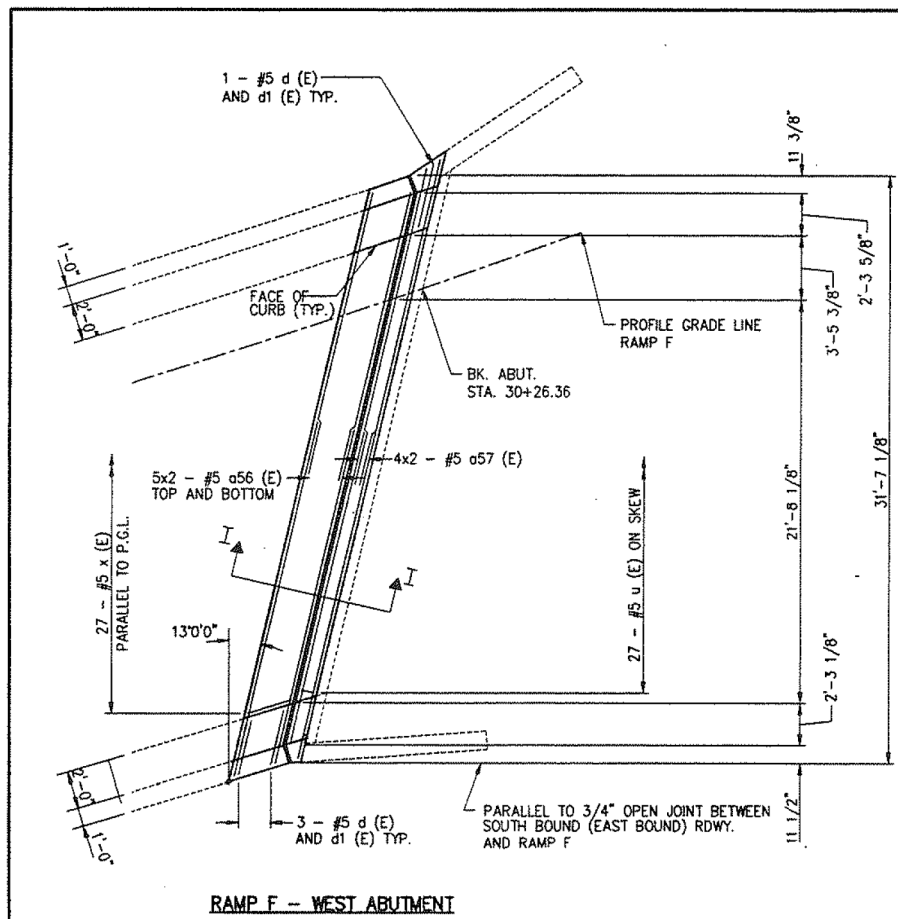
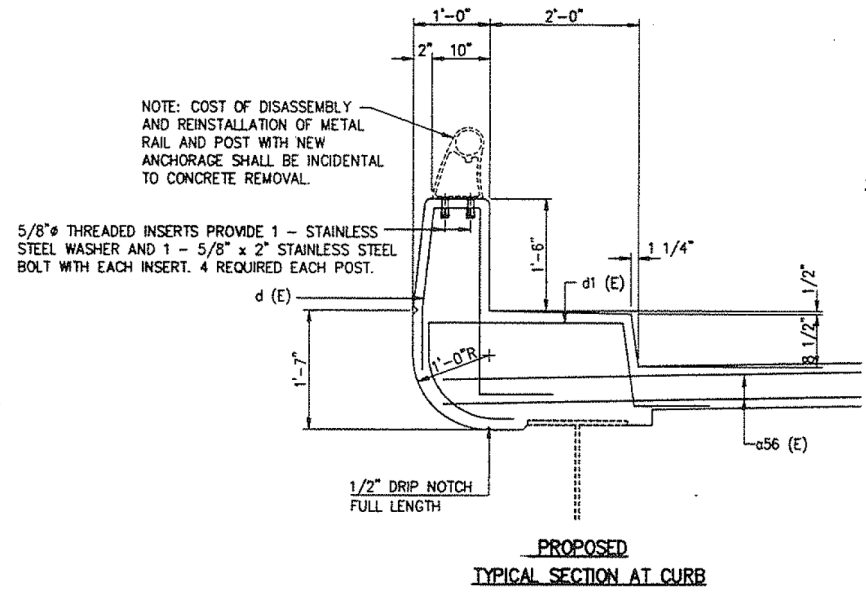


ROUTE NO.	SECTION	COUNTY	TOTAL SHEETS	SHEET NO.
IL 171	**	COOK	303	273
ILLINOIS			FED. AID PROJECT	

** SECTION 0707-626B (BR)



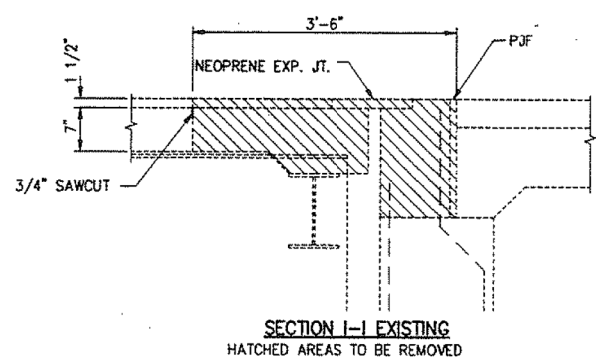
RAMP F - WEST ABUTMENT



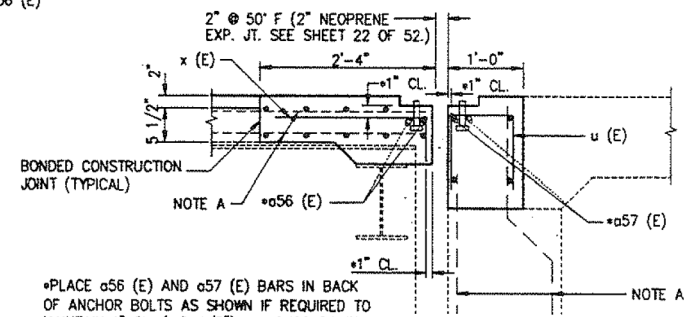
PROPOSED TYPICAL SECTION AT CURB

NOTE: COST OF DISASSEMBLY AND REINSTALLATION OF METAL RAIL AND POST WITH NEW ANCHORAGE SHALL BE INCIDENTAL TO CONCRETE REMOVAL.

5/8" THREADED INSERTS PROVIDE 1 - STAINLESS STEEL WASHER AND 1 - 5/8" x 2" STAINLESS STEEL BOLT WITH EACH INSERT. 4 REQUIRED EACH POST.



SECTION I-I EXISTING HATCHED AREAS TO BE REMOVED



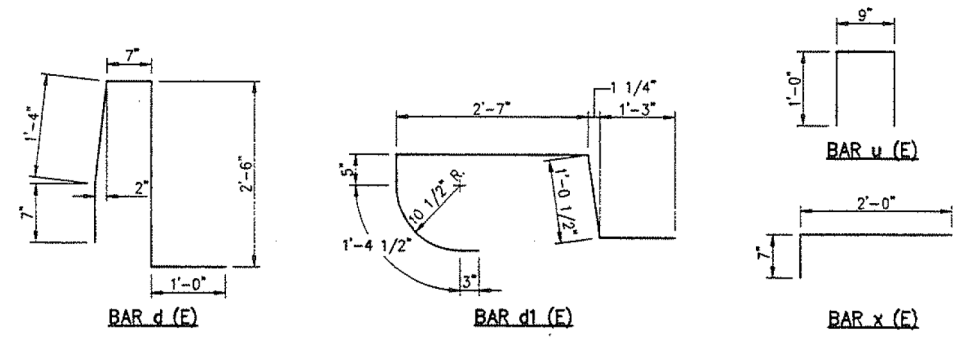
SECTION I-I PROPOSED

*PLACE a56 (E) AND a57 (E) BARS IN BACK OF ANCHOR BOLTS AS SHOWN IF REQUIRED TO MAINTAIN 1" CL. (+0-1/8"). ANCHOR BOLTS SHOULD BE TIED TO a56 (E) AND a57 (E).

NOTE A: EXISTING REINFORCEMENT EXTENDING INTO REMOVAL AREAS SHALL BE CLEANED, STRAIGHTENED, AND INCORPORATED INTO THE NEW CONSTRUCTION.

10/23/93 03:56:01 P.M. R/F ABUTMENT 0486 & 0487 NEOPRENE EXPANSION JOINT - RAMP F ABUTMENT

EXAMINED	1993
PASSED	ENGINEER OF STRUCTURAL SERVICES
APPROVED	ENGINEER OF BRIDGE AND STRUCTURES
	DIRECTOR OF HIGHWAYS



BILL OF MATERIAL

BAR	NO.	SIZE	LENGTH	SHAPE
a56 (E)	20	#5	17'-6"	—
a57 (E)	8	#5	18'-0"	—
d (E)	8	#5	6'-0"	U
d1 (E)	8	#5	6'-8"	J
u (E)	27	#5	2'-9"	U
x (E)	27	#5	2'-7"	U
REINFORCEMENT BARS EPOXY COATED.		LBS.	770	
CONCRETE REMOVAL		C.U. YDS.	4.7	
CLASS X CONCRETE, SUPERSTRUCTURE		C.U. YDS.	5.0	
NEOPRENE EXPANSION JOINT 2"		LIN. FT.	33	

REINFORCEMENT BARS DESIGNATED (E) SHALL BE EPOXY COATED.

ILLINOIS DEPARTMENT OF TRANSPORTATION
NEOPRENE EXPANSION JOINT
RAMP F - WEST ABUTMENT
 BRIDGE REPAIRS
 1ST AVE (IL 171) S.N. 016-0486 & 016-0487
 OVER SANITARY & SHIP CANAL
 AND RAMP "E"
 SECTION 0707-626B (BR)
 F.A.U. RT. 1505
 COOK CO. IL
 STA. 30+72.59
 STA. 35+12.88

FILE NAME =	USER NAME = tjenicke	DESIGNED - FSM	REVISED -
0160486.60J16.X41.exist.expjt.rampF.dgn		CHECKED - RMM	REVISED -
	PLOT SCALE =	DRAWN - FSM	REVISED -
	PLOT DATE = 6/23/2014	CHECKED - RMM	REVISED -

FOR INFORMATION ONLY

F.A.P. RTE.	SECTION	COUNTY	TOTAL SHEETS	SHEET NO.
373	2013-038B-R	COOK	821	731
CONTRACT NO.			60J16	
ILLINOIS FED. AID PROJECT				

6/23/2014 3:00:32 PM X:\100005\10093\Eng_Docs_Phase_1\11\SN_016_0486_0487_1st_Ave_over_Canal\Final\Final_0486\0160486_60J16.X41.exist.expjt.rampF.dgn