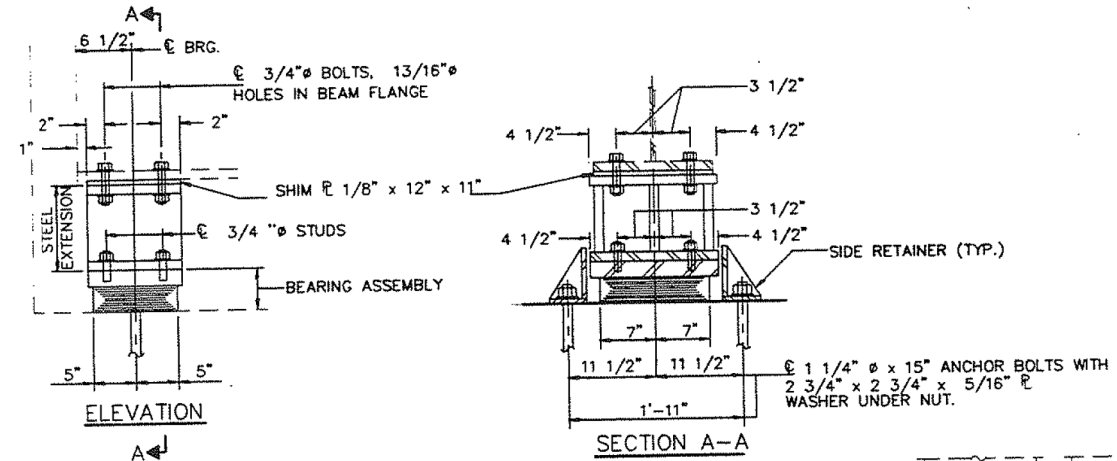


| | | | | |
|-----------|---------|--------|------------------|-----------|
| ROUTE NO. | SECTION | COUNTY | TOTAL SHEETS | SHEET NO. |
| IL 171 | ** | COOK | 383 | 273 |
| ILLINOIS | | | FED. AID PROJECT | |

** SECTION 0707-626B (BR)



NOTES: DIAPHRAGM REMOVAL AND REPLACEMENT MAY BE REQUIRED TO FACILITATE DRILLING HOLES IN THE BOTTOM FLANGE FOR BEARING ATTACHMENT. COST IS INCIDENTAL TO "FURNISHING AND ERECTING STRUCTURAL STEEL".

NEW STEEL EXTENSIONS, SIDE RETAINERS, LEAD PLATES, CONNECTION BOLTS AND ANCHOR BOLTS ARE INCLUDED IN "FURNISHING AND ERECTING STRUCTURAL STEEL".

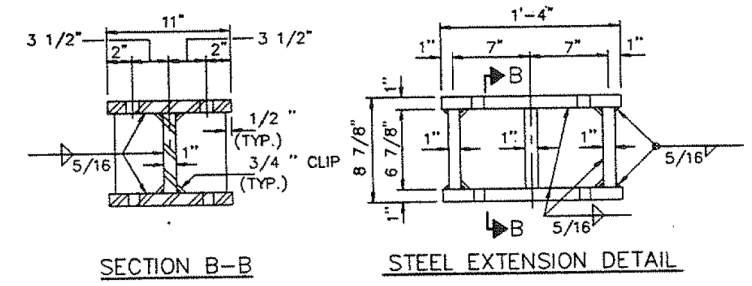
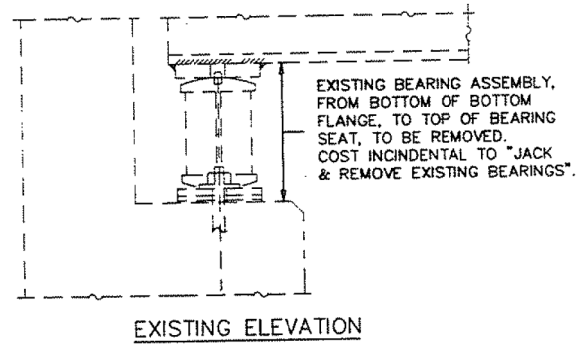
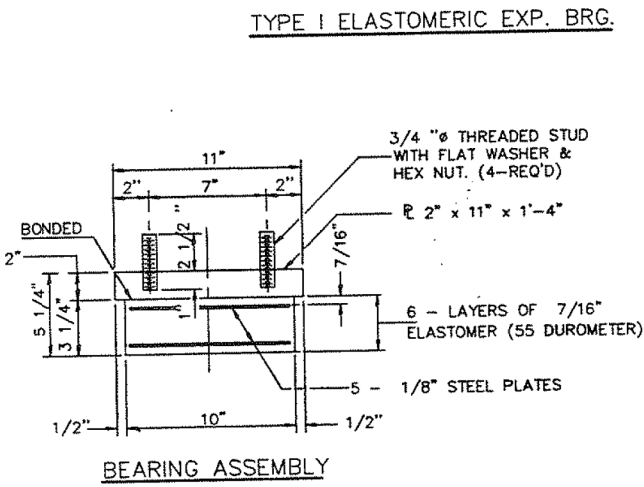
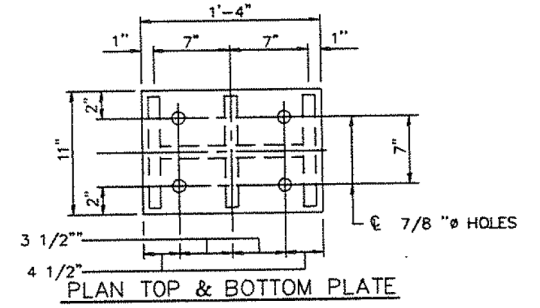
SEE SHEET 52 OF 52 FOR ANCHOR BOLT INSTALLATION.

BEFORE INSTALLING THE NEW BEARING, THE TOP PLATE OF THE EXISTING BEARING ASSEMBLY SHALL BE REMOVED FROM THE BOTTOM FLANGE USING THE AIR-ARC METHOD. GRIND SMOOTH ALL WELD MATERIAL REMAINING ON THE BOTTOM FLANGE. BURN EXISTING ANCHOR BOLTS FLUSH WITH EXISTING CONCRETE SURFACE. GRIND EXISTING ANCHOR BOLT SMOOTH AND SEAL WITH EPOXY. COST IS INCIDENTAL TO FURNISHING AND ERECTING STRUCTURAL STEEL.

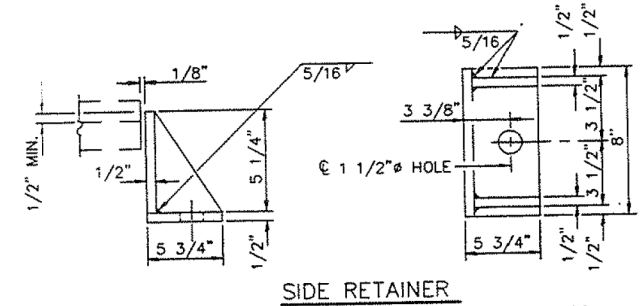
TRAFFIC SHALL BE REMOVED FROM THE PORTION OF THE STRUCTURE TO BE JACKED PRIOR TO COMMENCING JACKING OPERATIONS. TRAFFIC SHALL BE KEPT OFF THAT PORTION OF THE STRUCTURE DURING THE ENTIRE BEARING REPLACEMENT OPERATION. DIFFERENTIAL JACKING HEIGHT NOT TO EXCEED 1/8" TRANSVERSELY BETWEEN ADJACENT BEAMS OR 1/4" LONGITUDINALLY BETWEEN ADJACENT SUPPORTS.

PRIOR TO ORDERING ANY MATERIAL, THE CONTRACTOR SHALL VERIFY IN THE FIELD ALL BEARING HEIGHT AND SHIM DIMENSIONS.

SEE SUPERSTRUCTURE OVERLAY & REPAIR PLANS FOR BEAM LOCATIONS.



NOTE: SHIM PLATES SHALL NOT BE PLACED UNDER BEARING ASSEMBLY.



| REACTIONS | PIER 5 EAST |
|--------------------|-------------|
| R _V (K) | 38.1 |
| R _L (K) | 57.3 |
| IMP. (K) | 12.7 |
| R (TOTAL) (K) | 108.1 |

| BILL OF MATERIAL | | |
|-------------------------------------|------|-------|
| ITEM | UNIT | TOTAL |
| ELASTOMERIC BEARING ASSEMBLY TYPE I | EACH | 8 |
| JACK & REMOVE EXISTING BEARINGS | EACH | 8 |
| FURNISH & ERECT STRUCTURAL STEEL | LBS | 1900 |

ILLINOIS DEPARTMENT OF TRANSPORTATION
PIER 5 EAST
10 X 14, TYPE I BEARINGS
 BRIDGE REPAIRS
 1ST AVE (IL 171) S.N. 016-0486 & 016-0487
 OVER SANITARY & SHIP CANAL
 AND RAMP "E"
 SECTION 0707-626B (BR)

F.A.U. RT. 1505
 COOK CO. IL
 STA. 30+72.59
 STA. 35+12.88

12/03/93 04:21:55 P.M. 10X14TYPE I BEARINGS

EXAMINED _____
 PASSED _____
 APPROVED _____

EQUIVALENT ROLLED ANGLE WITH STIFFENERS WILL BE ALLOWED IN LIEU OF WELDED PLATES.

benesch
 engineers - scientists - planners

Alfred Benesch & Company
 205 North Michigan Avenue, Suite 2400
 Chicago, Illinois 60601
 312-565-0450 Job No. 10093

| | | | |
|---|----------------------|----------------|-----------|
| FILE NAME = 0160486.60J16.X46.exist.93.br.gp5.dgn | USER NAME = tjenicke | DESIGNED - FSM | REVISED - |
| | | CHECKED - RMM | REVISED - |
| | | DRAWN - FSM | REVISED - |
| | | CHECKED - RMM | REVISED - |
| | | | |

STATE OF ILLINOIS
 DEPARTMENT OF TRANSPORTATION

EXISTING PLANS (1993) - BEARING DETAILS PIER 5
 STRUCTURE NO. 016-0486

SHEET NO. SCX46 OF SCX48 SHEETS

FOR INFORMATION ONLY

| | | | | |
|---------------------------|-------------|--------|--------------|-----------|
| F.A.P. RTE. | SECTION | COUNTY | TOTAL SHEETS | SHEET NO. |
| 373 | 2013-038B-R | COOK | 821 | 736 |
| CONTRACT NO. | | | 60J16 | |
| ILLINOIS FED. AID PROJECT | | | | |

X:\1000005\10093\Eng_Docs_Phase_1\11\SN_016_0486_0487_1st_Ave_over_Canal\Final\Final_0486\0160486_60J16.X46.exist.93.br.gp5.dgn 3:01:20 PM 6/23/2014