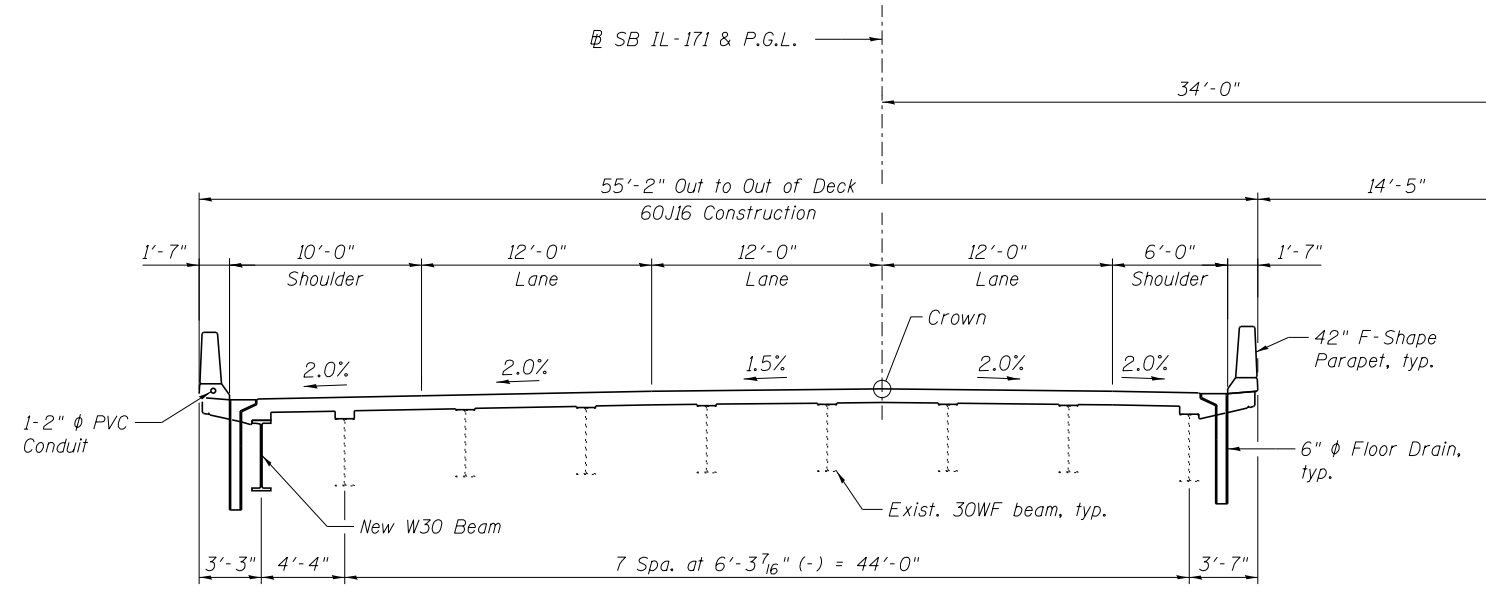
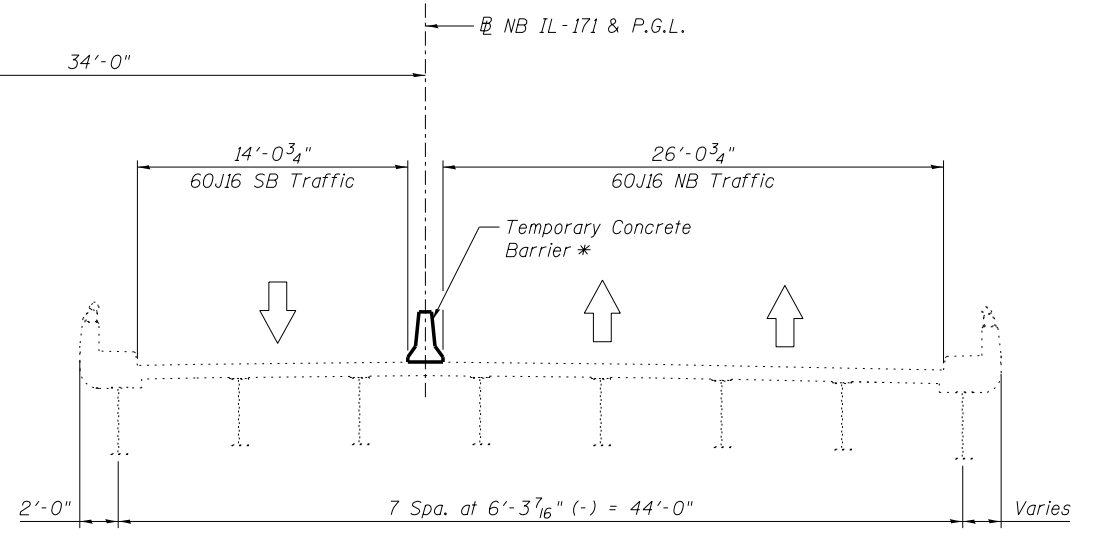
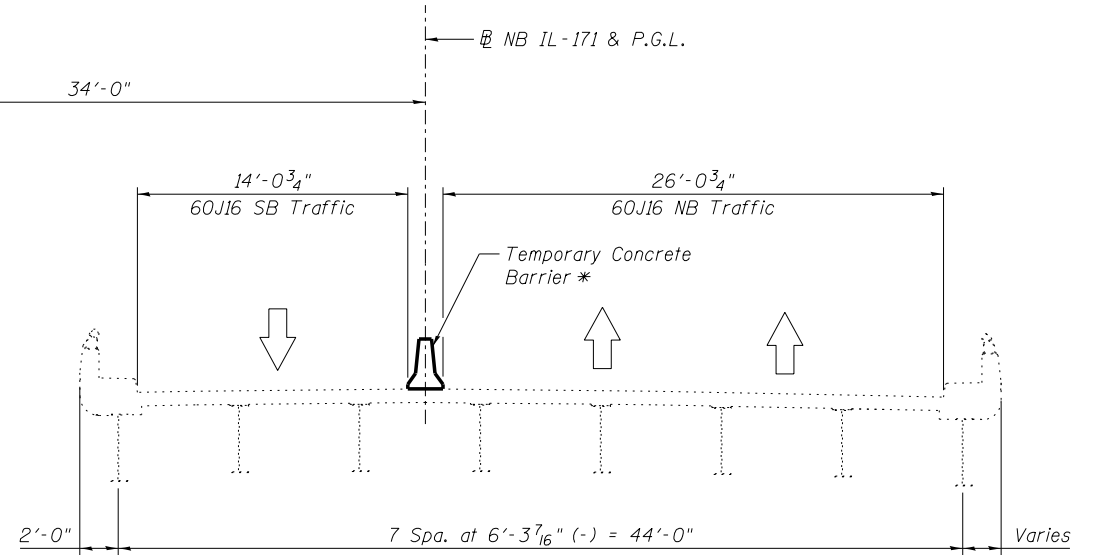


CONTRACT 60J16 REMOVAL
(Looking Upstation, North)



CONTRACT 60J16 CONSTRUCTION
(Looking Upstation, North)



BILL OF MATERIAL

ITEM	UNIT	TOTAL
Removal of Existing Concrete Deck	Each	1

NOTES:

- All staging deck cross sections are shown looking upstation, North.
- The Contractor shall use extreme caution during concrete deck removal so as not to damage the existing Steel Beams. Contractor shall repair any damage to Steel Beams at no additional cost. See Special Provision for "Removal of Existing Concrete Deck".
- Temporary Concrete Barrier shall not be anchored to the deck.

Indicates Removal of Existing Concrete Deck

* See Sheet SH5 and Maintenance of Traffic Sheets for more information.

benesch
engineers · scientists · planners
Alfred Benesch & Company
205 North Michigan Avenue, Suite 2400
Chicago, Illinois 60601
312-565-0450 Job No. 10093

FILE NAME =	USER NAME = tjenicke	DESIGNED - CMK	REVISED -
016-0488-60J16-004-Stage Construction Details	SCALE =	CHECKED - JAW	REVISED -
	PLOT DATE = 12/20/2013	DRAWN - CMK	REVISED -
		CHECKED - JAW	REVISED -

**STATE OF ILLINOIS
DEPARTMENT OF TRANSPORTATION**

**STAGE CONSTRUCTION DETAILS
STRUCTURE NO. 016-0488**

SHEET NO. SH4 OF SH36 SHEETS

F.A.P. RTE.	SECTION	COUNTY	TOTAL SHEETS	SHEET NO.
373	2013-038B-R	COOK	821	742
CONTRACT NO. 60J16			ILLINOIS FED. AID PROJECT	

X:\100005\10093\Eng_Docs_Phase_1\11\SN_016_0488_0489_1st_Ave_over_ICC.RR\Final\Final_0488-60J16-004-Stage_Construction_Details.dgn 6/23/2014 3:01:55 PM