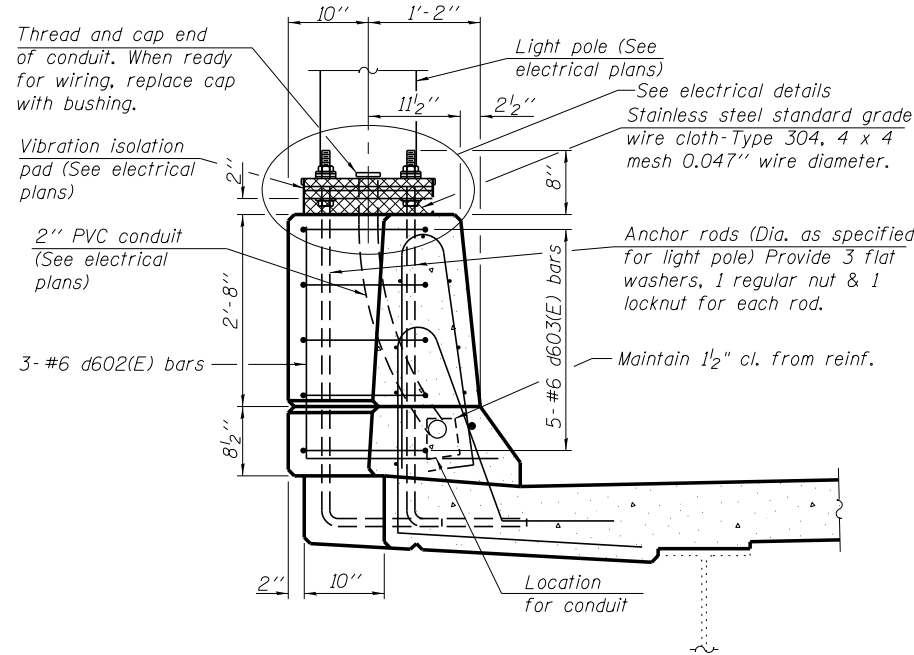


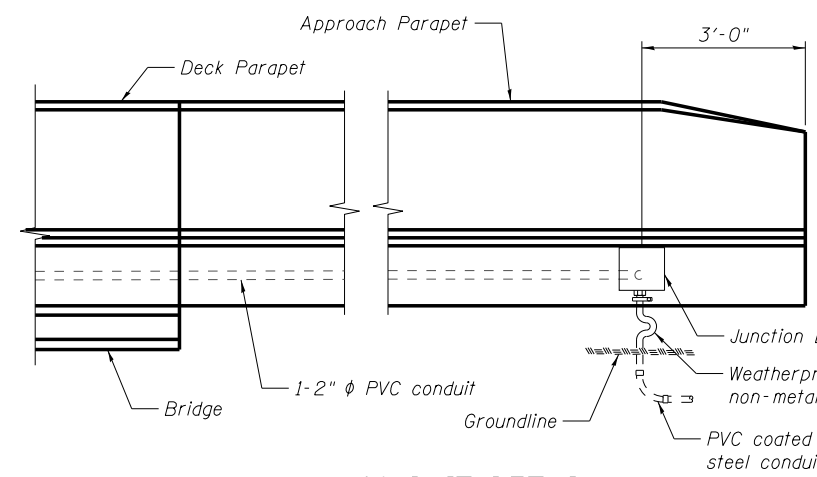
MINIMUM BAR LAP
(Parapet)
#4 bar = 2'-0"
#8 bar = 5'-2"

PLAN

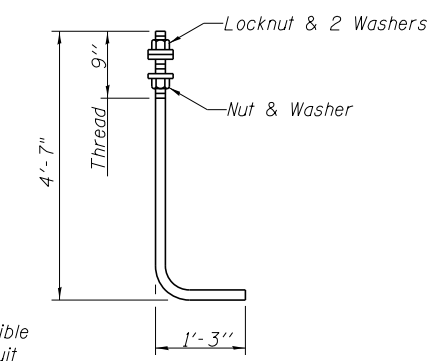
Note:
Cost of anchor rods is included
with Concrete Superstructure.



SECTION A-A

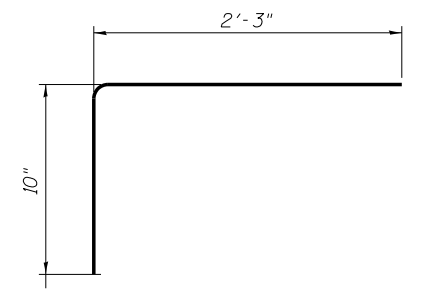


CONDUIT DETAIL
(North approach shown, South approach opposite hand)
(West parapet only)



ANCHOR ROD

Diameter as specified for light poles.
(ASTM F 1554 Grade 105)

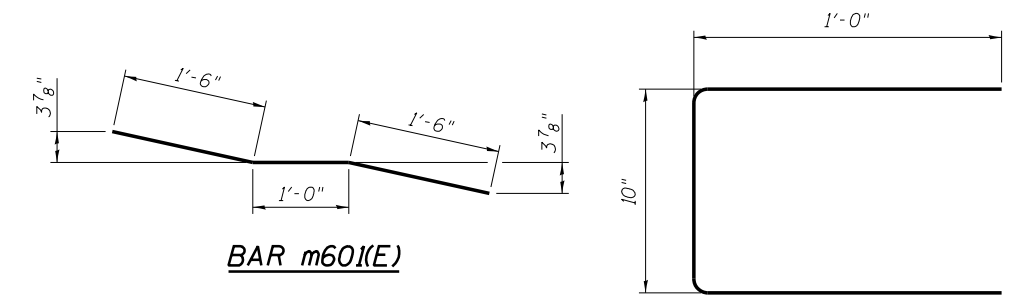


BAR v600(E)

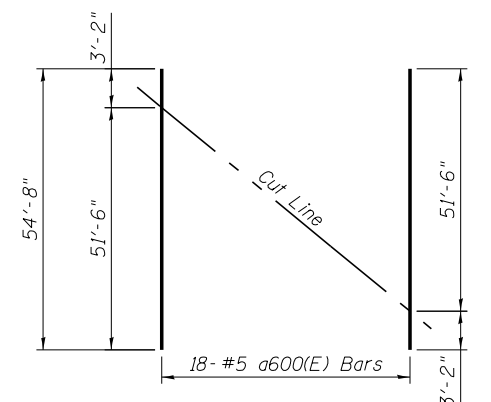
SUPERSTRUCTURE
BILL OF MATERIAL

Bar	No.	Size	Length	Shape
a600(E)	435	#5	54'-8"	—
a601(E)	234	#6	6'-6"	—
a605(E)	4	#5	56'-0"	—
b600(E)	232	#5	45'-0"	—
b601(E)	90	#6	31'-0"	—
b602(E)	220	#5	36'-2"	—
d600(E)	332	#5	6'-10"	┘
d601(E)	400	#6	7'-11"	┘
d602(E)	3	#6	5'-1"	┘
d603(E)	5	#6	7'-7"	┘
e600(E)	84	#4	13'-5"	—
e601(E)	64	#4	9'-2"	—
e602(E)	42	#4	14'-4"	—
e603(E)	8	#8	23'-0"	—
e604(E)	8	#8	9'-2"	—
e605(E)	4	#8	24'-6"	—
e606(E)	4	#4	40'-10"	—
e607(E)	2	#4	43'-9"	—
m600(E)	32	#6	31'-0"	—
m601(E)	36	#5	4'-0"	—
m602(E)	56	#6	6'-2"	—
m603(E)	8	#6	4'-2"	—
m604(E)	16	#6	3'-0"	—
s600(E)	108	#5	8'-0"	┘
s601(E)	108	#5	9'-4"	┘
u600(E)	108	#5	2'-10"	┘
v600(E)	110	#5	3'-1"	┘
Reinforcement Bars, Epoxy Coated		Pound	65,480	
Concrete Superstructure		Cu. Yd.	317.8	
Bridge Deck Grooving		Sq. Yd.	962	
Protective Coat		Sq. Yd.	1123	
Floor Drains		Each	4	

Bars indicated thus 1 x 2 - #8 etc. indicates 1 line of bars with 2 lengths per line.

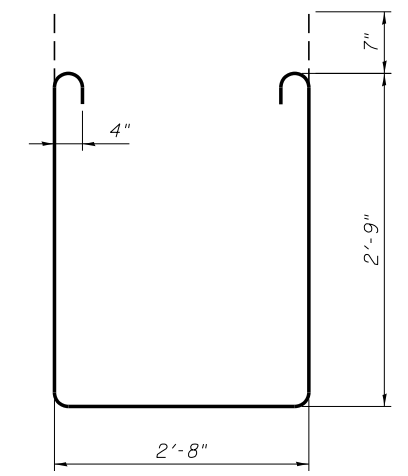


BAR m601(E)

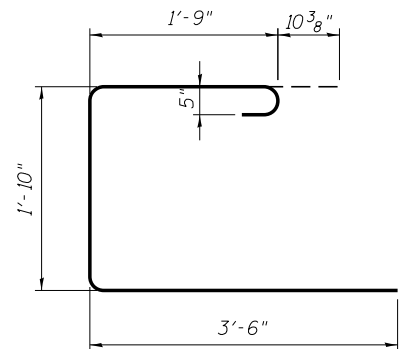


FIELD CUTTING DIAGRAM - TOP BARS

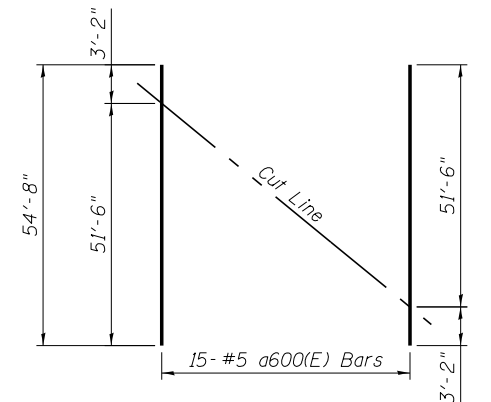
Order a600(E) full length. Cut as shown and use remainder of bars in opposite end.



BAR u600(E)

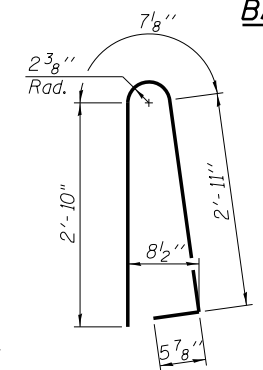


BAR s600(E)

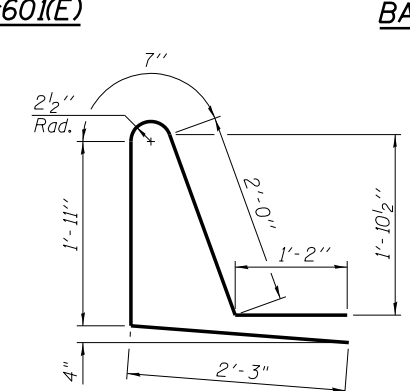


FIELD CUTTING DIAGRAM - BOTTOM BARS

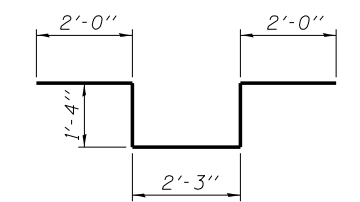
Order a600(E) full length. Cut as shown and use remainder of bars in opposite end.



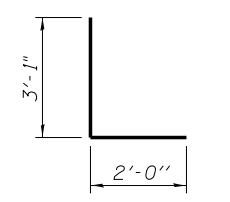
BAR d600(E)



BAR d601(E)



BAR d603(E)



BAR d602(E)