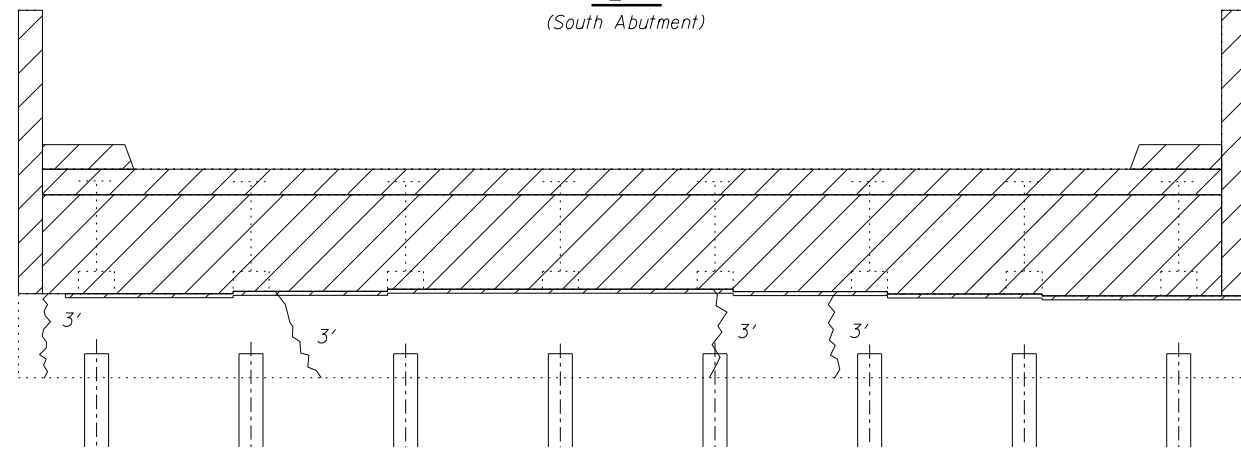
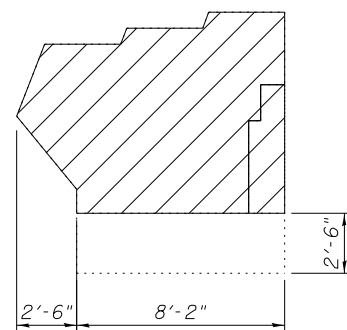


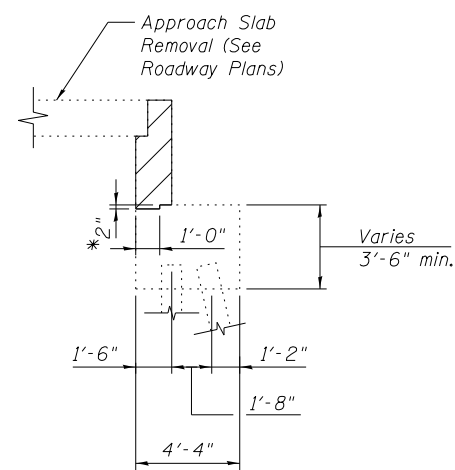
PLAN
(South Abutment)



ELEVATION
(South Abutment)

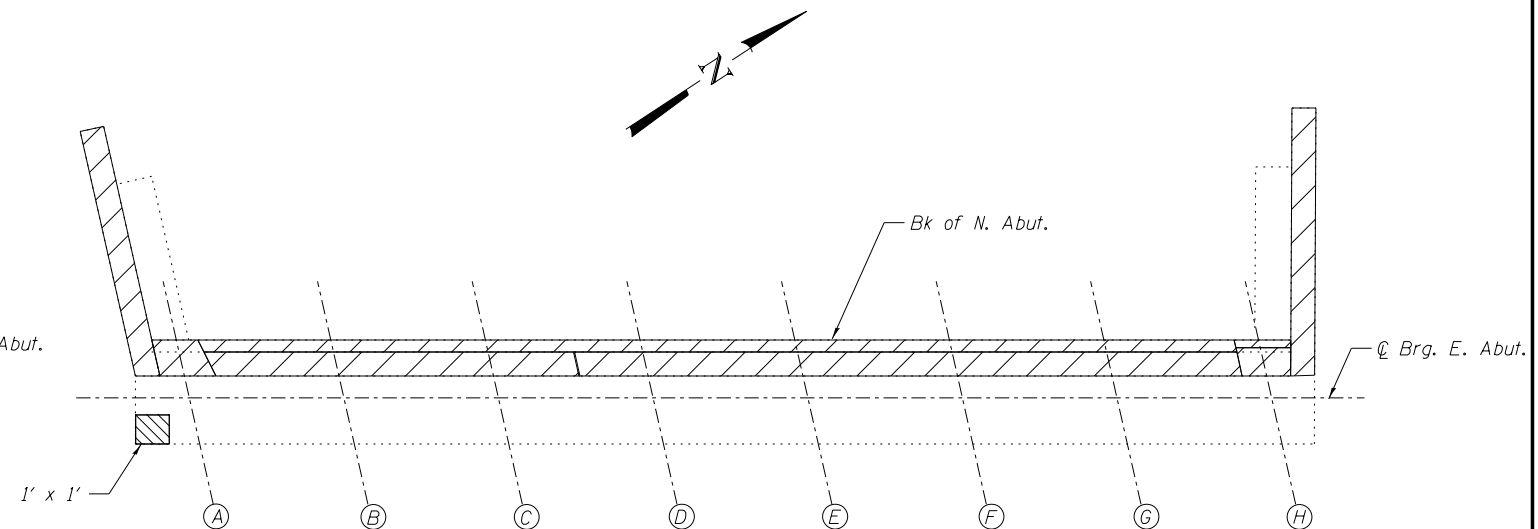


WINGWALL ELEVATION
(South Abutment Wall Shown)
(North Abutment Wall Similar)

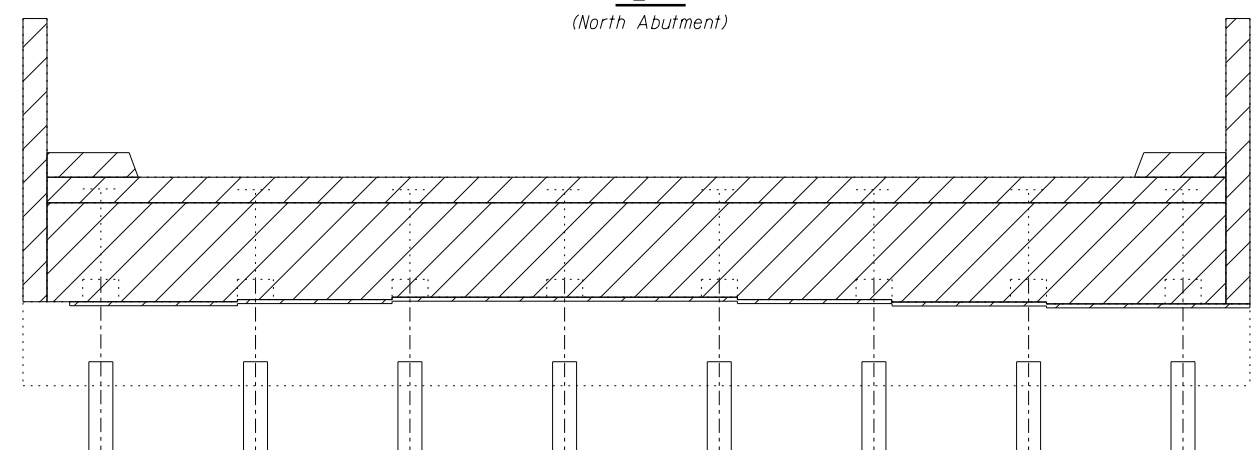


BACKWALL SECTION

*Remove backwall
2" into bridge
abutment seat.



PLAN
(North Abutment)



ELEVATION
(North Abutment)

BILL OF MATERIAL

ITEM	UNIT	TOTAL
Concrete Removal	Cu. Yd.	36.7
Structural Repair of Concrete (Depth Equal to or Less Than 5 Inches)	Sq. Ft.	1
Epoxy Crack Injection	Foot	21

LEGEND

- Concrete Removal
- Structural Repair of Concrete Area
- Epoxy Crack Injection

NOTE:

Existing vertical reinforcement shall be cut flush with the concrete removal surface. Cost included with "Concrete Removal".

benesch
engineers · scientists · planners
Alfred Benesch & Company
205 North Michigan Avenue, Suite 2400
Chicago, Illinois 60601
312-565-0450 Job No. 10093

FILE NAME =	USER NAME = jsurber	DESIGNED - CMK	REVISED -
016-0488-60J16-023-Abutment Repair Details.dwg	SCALE =	CHECKED - JAW	REVISED -
	PLOT DATE = 12/20/2013	DRAWN - CMK	REVISED -
		CHECKED - JAW	REVISED -

STATE OF ILLINOIS
DEPARTMENT OF TRANSPORTATION

ABUTMENT CONCRETE REMOVAL AND REPAIR DETAILS
STRUCTURE NO. 016-0488

F.A.P. RTE.	SECTION	COUNTY	TOTAL SHEETS	SHEET NO.
373	2013-038B-R	COOK	821	761
CONTRACT NO. 60J16			ILLINOIS FED. AID PROJECT	

SHEET NO. SH23 OF SH36 SHEETS

Y:\chicago\100005\10093\Eng_Docs_Phase_1\1\SN_016_0488_0489_1st_Ave_over_ICC_RRV\Final_0488\016-0488-60J16-023-Abutment Repair_Details.dgn 8:27:10 AM 7/16/2014