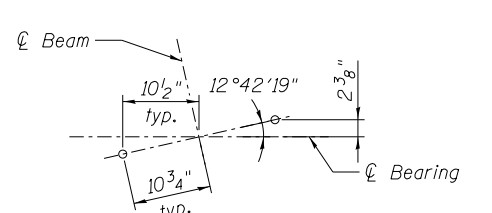
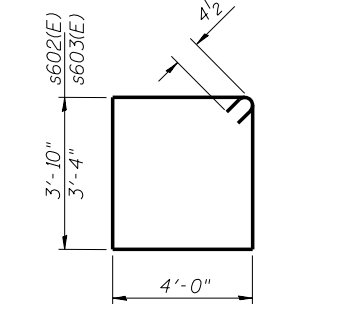
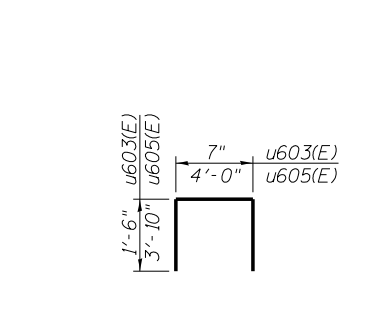
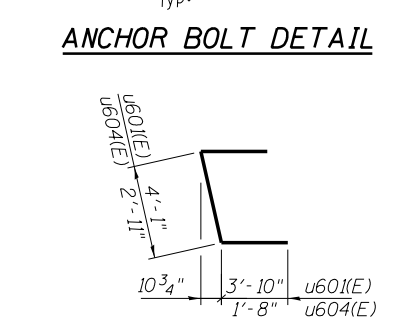
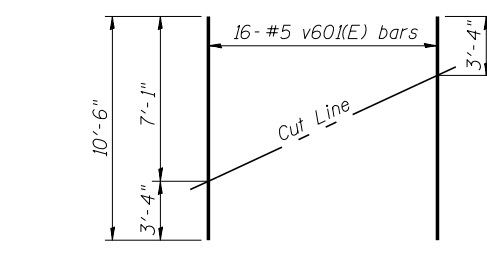


**PILE DATA**  
 Type: HP12x53 with Pile Shoes  
 Nominal Required Bearing: 205 kips  
 Allowable Resistance Available: 68 kips  
 Est. Length: 45'  
 No. Production Piles: 0  
 No. Test Piles: 1



**EMBEDMENT DEPTH**

BAR SIZE	EMBEDMENT
#4	6"
#6	10"
#7	12"



**BILL OF MATERIAL**

Bar	No.	Size	Length	Shape
h600(E)	16	#6	15'-0"	—
h601(E)	38	#6	9'-8"	—
h602(E)	2	#5	56'-2"	—
p600(E)	12	#6	6'-0"	—
p603(E)	8	#7	7'-0"	—
s602(E)	6	#5	16'-1"	□
s603(E)	1	#5	15'-5"	□
u601(E)	4	#6	11'-9"	┘
u603(E)	57	#4	3'-7"	┘
u604(E)	4	#6	6'-3"	┘
u605(E)	1	#6	11'-8"	┘
v601(E)	16	#5	10'-5"	—
v602(E)	12	#5	7'-8"	—
Structure Excavation		Cu. Yd.	101	
Concrete Structures		Cu. Yd.	10.7	
Reinforcement Bars, Epoxy Coated		Pound	1,910	
Test Pile Steel HP12x53		Each	1	
Pile Shoes		Each	1	
Geocomposite Wall Drain		Sq. Yd.	68	
Concrete Encasement		Cu. Yd.	0.35	
Granular Backfill for Structures		Cu. Yd.	101	
Cleaning Bridge Seats		Sq. Ft.	98	
Pipe Underdrains for Structures 4"		Foot	57	

- NOTES:**
- E.F. denotes Each Face, E.S. denotes Each Side.
  - For details of piles, see sheet SH30.
  - For concrete encasement details, see sheet SH30.

**benesch**  
 engineers · scientists · planners  
 Alfred Benesch & Company  
 205 North Michigan Avenue, Suite 2400  
 Chicago, Illinois 60601  
 312-565-0450 Job No. 10093

FILE NAME =	USER NAME = jsurber	DESIGNED - CMK	REVISED -
016-0488-60J16-025-5 Abutment Widening	DATE = 12/20/2013	CHECKED - JAW	REVISED -
		DRAWN - CMK	REVISED -
		CHECKED - JAW	REVISED -

**STATE OF ILLINOIS**  
**DEPARTMENT OF TRANSPORTATION**

**SOUTH ABUTMENT WIDENING DETAILS**  
**STRUCTURE NO. 016-0488**

F.A.P. RTE.	SECTION	COUNTY	TOTAL SHEETS	SHEET NO.
373	2013-0388-R	COOK	821	763
CONTRACT NO. 60J16			ILLINOIS FED. AID PROJECT	

SHEET NO. SH25 OF SH36 SHEETS