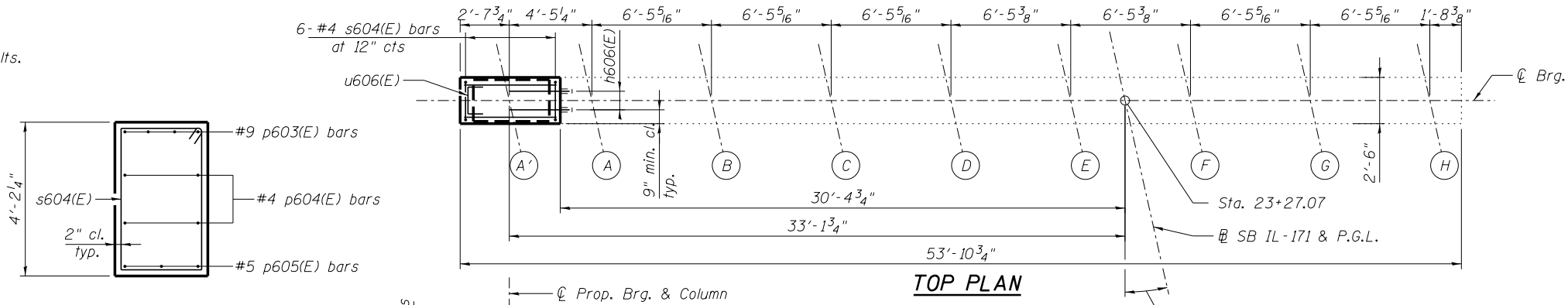


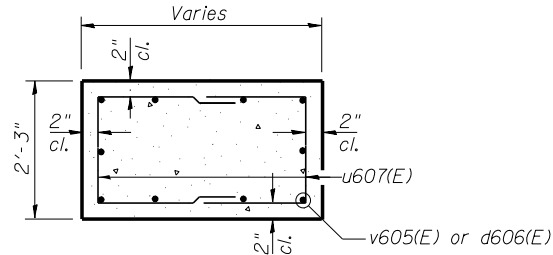
Notes:  
 Space reinforcement in cap to miss anchor bolts.  
 Pour steps monolithically with cap.  
 For details of piles, see sheet SH30 of SH48.

**PILE DATA**

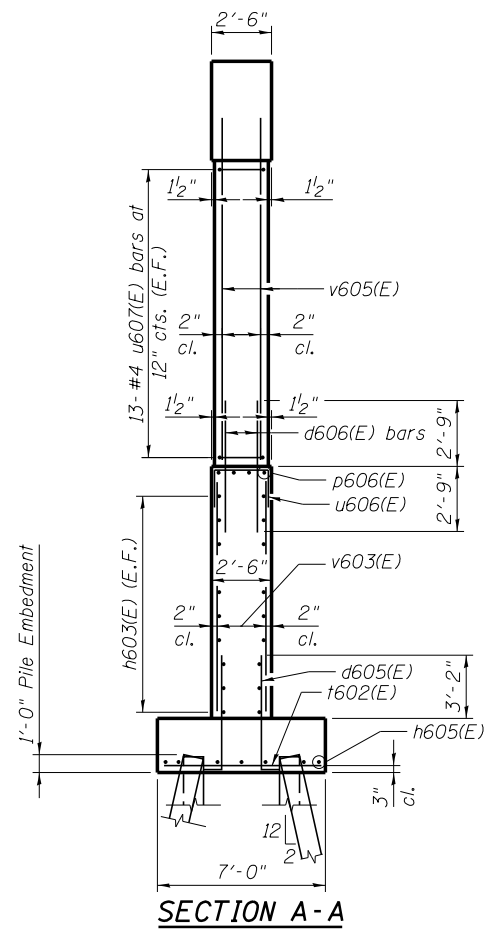
Type: HP12x53 with Pile Shoes  
 Nominal Required Bearing: 189 kips  
 Allowable Resistance Available: 63 kips  
 Est. Length: 30'  
 No. Production Piles: 3  
 No. Test Piles: 1



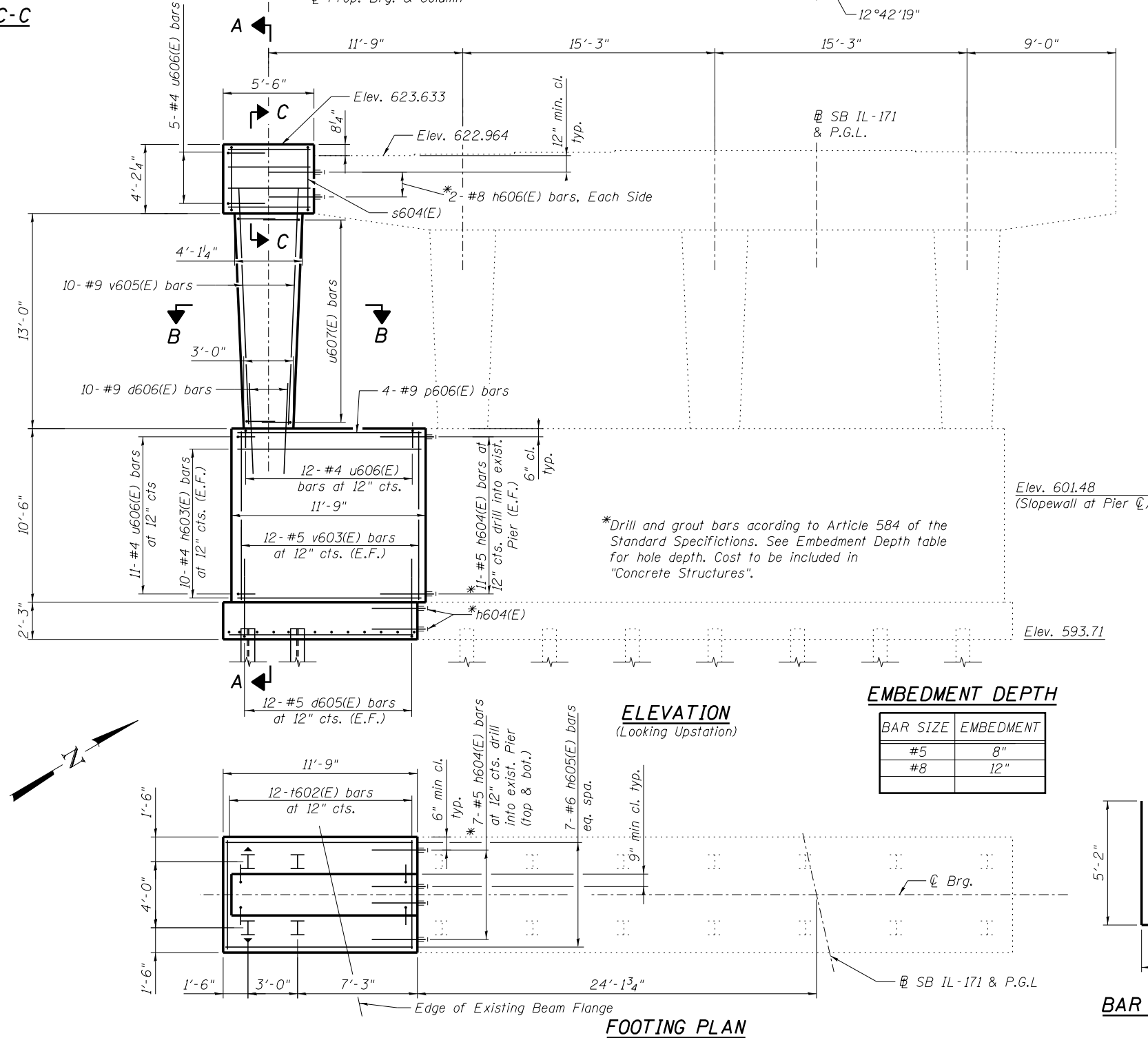
**SECTION C-C**



**SECTION B-B**



**SECTION A-A**



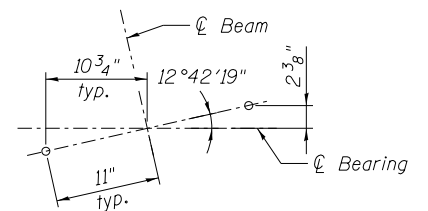
**ELEVATION**  
(Looking Upstation)

**EMBEDMENT DEPTH**

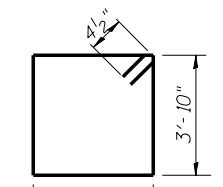
BAR SIZE	EMBEDMENT
#5	8"
#8	12"

**BILL OF MATERIAL**

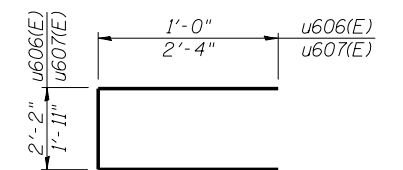
Bar	No.	Size	Length	Shape
d605(E)	24	#5	5'-11"	
d606(E)	10	#9	5'-6"	
h603(E)	20	#4	11'-5"	
h604(E)	36	#5	3'-3"	
h605(E)	7	#6	11'-5"	
h606(E)	6	#8	4'-0"	
p603(E)	4	#9	5'-2"	
p604(E)	4	#4	5'-2"	
p605(E)	3	#5	5'-2"	
p606(E)	4	#9	11'-5"	
s604(E)	6	#4	12'-9"	
t602(E)	12	#7	6'-8"	
u606(E)	6	#4	4'-2"	
u607(E)	26	#4	6'-7"	
v603(E)	24	#5	10'-2"	
v605(E)	10	#9	16'-0"	
Structure Excavation	Cu. Yd.	40		
Concrete Structures	Cu. Yd.	24.2		
Reinforcement Bars, Epoxy Coated	Pound	2,200		
Furnishing Steel Piles HP12x53	Foot	90		
Driving Piles	Foot	90		
Test Pile Steel HP12x53	Each	1		
Pile Shoes	Each	4		
Cleaning Bridge Seats	Sq. Ft.	121		



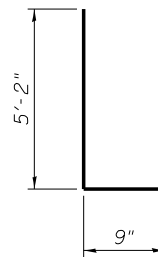
**ANCHOR BOLT DETAIL**



**BAR s604(E)**



**BARS u606(E) & u607(E)**



**BAR d605(E)**