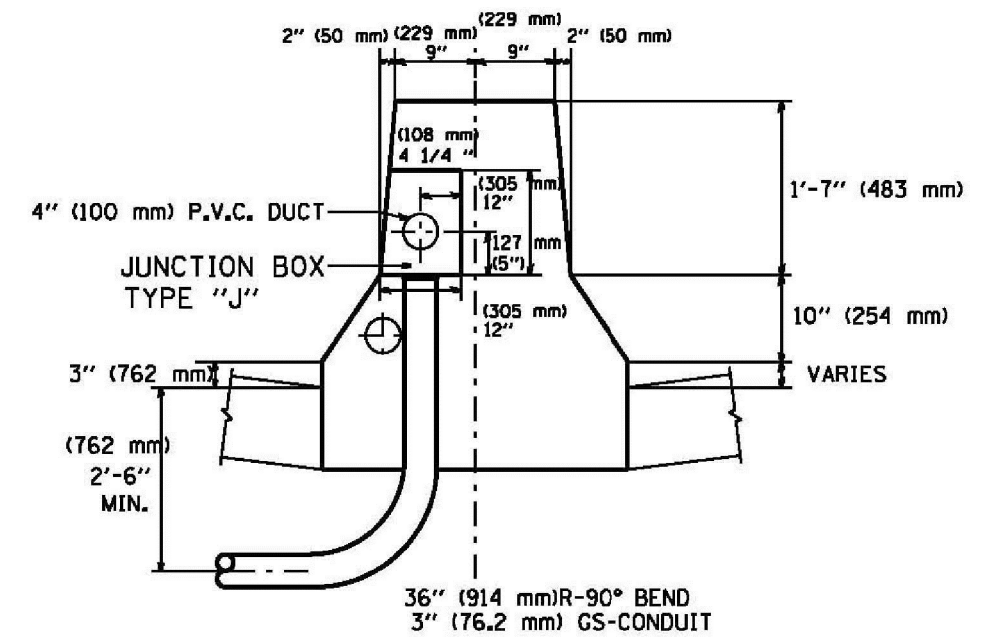
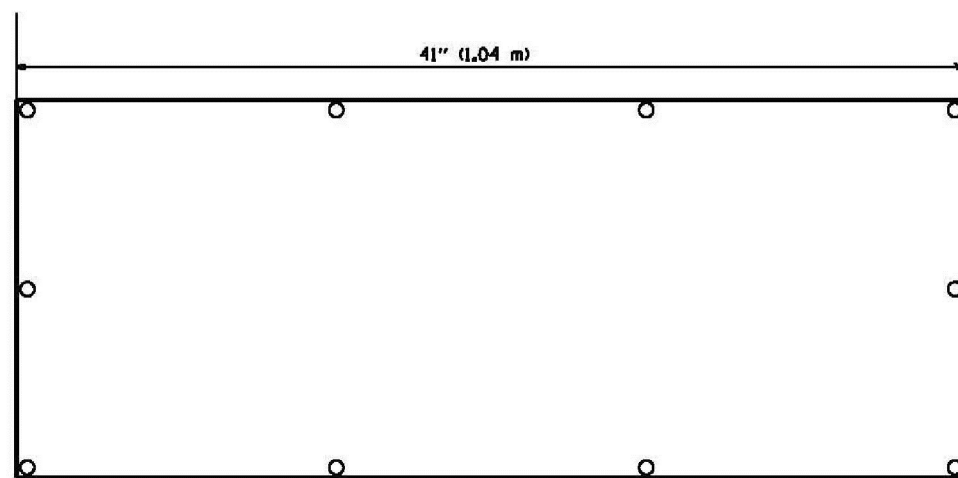


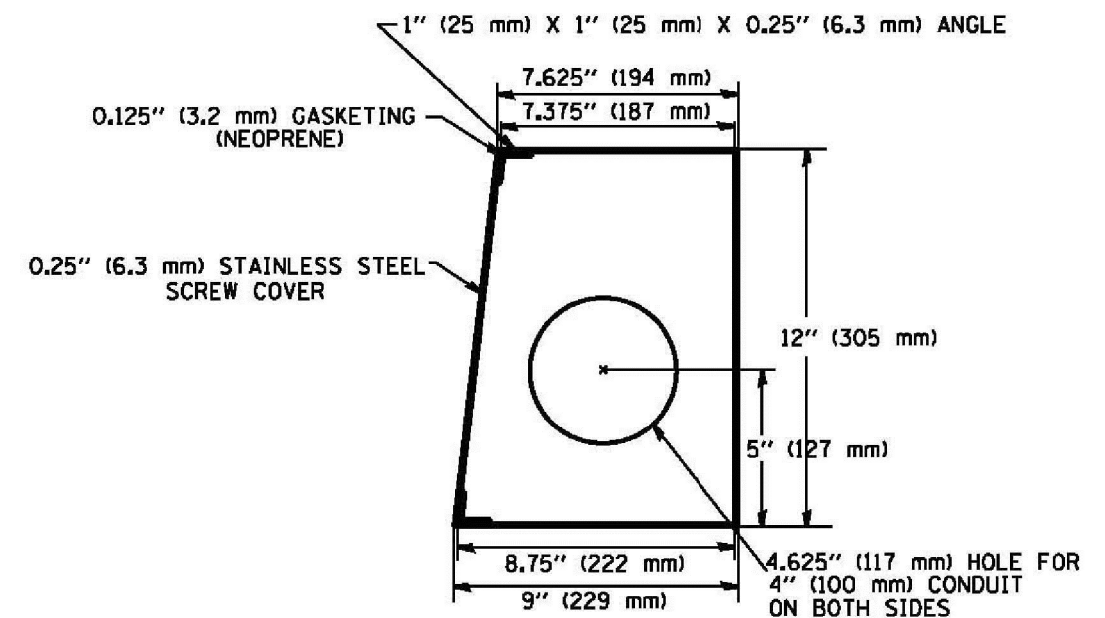
**ELEVATION
BARRIER WALL DUCT DETAIL**



DOUBLE FACED BARRIER WALL



FRONT VIEW



**SIDE VIEW
JUNCTION BOX TYPE "J"**

ALL WELDS SHALL BE CONTINUOUS AND LEAK PROOF
BOX AND COVER SHALL BE 0.25" (6.4 mm) TYPE 316 STAINLESS STEEL

BARRIER WALL SHALL BE GAPPED A MINIMUM OF 15' (4.57 m) FOR PROPER PLACEMENT OF JUNCTION BOX TYPE "J"
AND FOR A SMOOTH TRANSITION OF 4" (100 mm) PVC SURVEILLANCE DUCT(S) FROM BARRIER WALL FOOTER INTO JUNCTION BOX.

FILE NAME *	USER NAME * mseg	DESIGNED - J.G.	REVISED -	STATE OF ILLINOIS DEPARTMENT OF TRANSPORTATION TRAFFIC SYSTEMS CENTER	JUNCTION BOX "TYPE J" IN DOUBLE FACED BARRIER WALL			F.A. RTE.	SECTION	COUNTY	TOTAL SHEETS	SHEET NO.
ca\poc\work\poc\dot\mseg\040807541\TSC1Y.dgn		DRAWN - G.M.	REVISED -		SCALE: NONE	SHEET	OF	SHEETS	STA.	TO STA.	FED. ROAD DIST. NO.	ILLINOIS FED. AID PROJECT
Default		CHECKED - J.G.	REVISED -									
		DATE - 04-19-05	REVISED -									
PLOT SCALE * 1/8"=1'-0" / in.		PLOT DATE * 6/2/2014		CONTRACT NO.		177		506				